

<b>Speedy fabrication required:</b> <input type="checkbox"/> Yes <input type="checkbox"/> No	FROM NOVEMBER TO MARCH	APRIL	FROM MAY TO AUGUST	SEPTEMBER, OCTOBER
	<b>D+4</b>	<b>D+5</b>	<b>D+6</b>	<b>D+5</b>

Customer N°:	Customer reference:	Order form date:
--------------	---------------------	------------------

<b>Company contact details:</b> Surname: ..... Postcode: ..... City: ..... Country: ..... Phone: ..... E-mail: ..... Contact in case of missing measurements: ..... ..... .....	<b>Delivery address:</b> Name: ..... Address: ..... Postcode: ..... City: ..... Country: ..... Phone (person to contact) ..... Access: <input type="checkbox"/> Semi-trailer <input type="checkbox"/> Carrier Other: ..... Fill in the truck access checking guide the following pages <input type="checkbox"/> Pick up at DEL Saint-Rémy-de-Provence factory (13210, Saint-Rémy-de-Provence, FRANCE)
---------------------------------------------------------------------------------------------------------------------------------------------------------------------------------------------------------	-------------------------------------------------------------------------------------------------------------------------------------------------------------------------------------------------------------------------------------------------------------------------------------------------------------------------------------------------------------------------------------------------------------------------------

New pool     
  Existing pool: to avoid re-taking the measurements, please indicate the invoice n°, order n° or delivery document n° for the original cover: .....

**COVER MODELS**

Premium (B-2.1)     
  Premium Universal (B-2.2) - Movable strap     
  Premium Color (B-2.3) - Colour bars  
 Premium Easy (B-2.4) - Without anti-lift systems     
  Premium Pure (B-2.5) - Hidden bars     
  Premium Easy (B-2.4)

**COLOURS**

Bright (beige underside):  Green     Blue     Beige     Almond     Grey     Slate grey  
 Matt (grey underside):  Light grey

**RECTANGULAR POOL DIMENSIONS (maximum pool dimensions: 5.50 x 12.00 m)**

Width: ..... m      Length: ..... m     
 **IMPORTANT: In case of free-shaped pool please send a drawing for special study and to state the position of the protection pads.**  
 Free-form shape

**REQUESTED OVERLAP (pool size + 25 cm on each side by default, minimum 20 cm on each side)**

..... cm on each side (≤ 40 cm)

**STAIRS**

Stairs along the width (ratchet strap tensioning):  
 Yes     No     
 **Whatever their shape, stairs are manufactured in a rectangular shape.**  
 Stairs along the length (tensioning using a beige safety elastic strap)  
 Yes     No

**CUTTING**

Cut corners: <input type="checkbox"/> Yes <input type="checkbox"/> No If yes, attach a drawing of the pool.	Filtration block, filtration panel (on the storage side by default) <input type="checkbox"/> Yes <input type="checkbox"/> No <b>CAUTION: When cut-out on the rolling side, please consult us.</b>
----------------------------------------------------------------------------------------------------------------	---------------------------------------------------------------------------------------------------------------------------------------------------------------------------------------------------------

**FITTINGS**

Stainless steel aluminium anchor for concrete coping     
 **IMPORTANT:**  
 Anchor for wood coping     
 There should not be any level differences around the pool coping. All accessories around the pool must be removable. In order to avoid anchors to be removable using a force of less than 12 kg (once the cover has been stretched) the coping must be concrete or wood, and be sealed.  
 By default stainless steel anchors for concrete coping will be delivered.

**OPTIONS**

<input type="checkbox"/> Padolo (for covers up to 6.00 x 12.00 m max, above 5.50 x 11.00 m, compatibility to be checked by our services) <input type="checkbox"/> Roll-e (max. rolling dimension: 5.00 x 12.00 m cover) <input type="radio"/> Roll-e left adapter <input type="checkbox"/> Anti-abrasion strip <input type="checkbox"/> Additional bars (bars spaced of 1.30 m max)	<input type="checkbox"/> Wind kit with cables built into the bar* <input type="checkbox"/> Wind kit with visible straps <input type="checkbox"/> Snow kit <input type="checkbox"/> Water bags, colour: <input type="radio"/> Grey <input type="radio"/> Beige
-------------------------------------------------------------------------------------------------------------------------------------------------------------------------------------------------------------------------------------------------------------------------------------------------------------------------------------------------------------------------------------------------	---------------------------------------------------------------------------------------------------------------------------------------------------------------------------------------------------------------------------------------------------------------------------

\* not available for B-2.5

For full compliance with the NF P90-308 French standard, it is essential that all the elements composing the safety cover (anchor, tension types, etc.) are provided by CF group.

# BAR COVER - PREMIUM - POOL WITH APPENDAGE - DRAWING - 2/2

Customer N°:	Customer reference:	Order form date:	Company:
--------------	---------------------	------------------	----------

**POOL**

**1 Indicate the inside pool dimensions**  
 ..... cm

**2 Diagonal AC =** ..... cm  
**Diagonal BD =** ..... cm

Diagonals taken at sharp corners.

---

**STAIRS**

Indicate the stairs position:

On the AB width       On the CD width  
 Along the AD length       Along the BC length

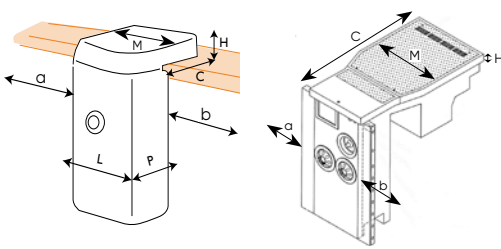
**Diagonal EG =** ..... cm  
**Diagonal FH =** ..... cm

Diagonals taken at sharp corners.

---

**FILTRATION BLOCK - FILTRATION PANEL**

If filtration block, indicate the measurements on the diagram



**Block - panel reference:** .....

**Width L =** ..... cm  
**Width of the block out of the water M =** ..... cm  
**Depth P =** ..... cm  
**Block/coping height H =** ..... cm

**a. Block position =** ..... cm  
**b. Block position =** ..... cm  
**c. Depth on the coping =** ..... cm

The block must be rectangular on the pool side to comply with the safety standard.

**Indicate the filtration block position:**

On width AB  
 On width CD

---

**STORAGE**

**Storage side once the cover is rolled:**  
 AB       CD

---

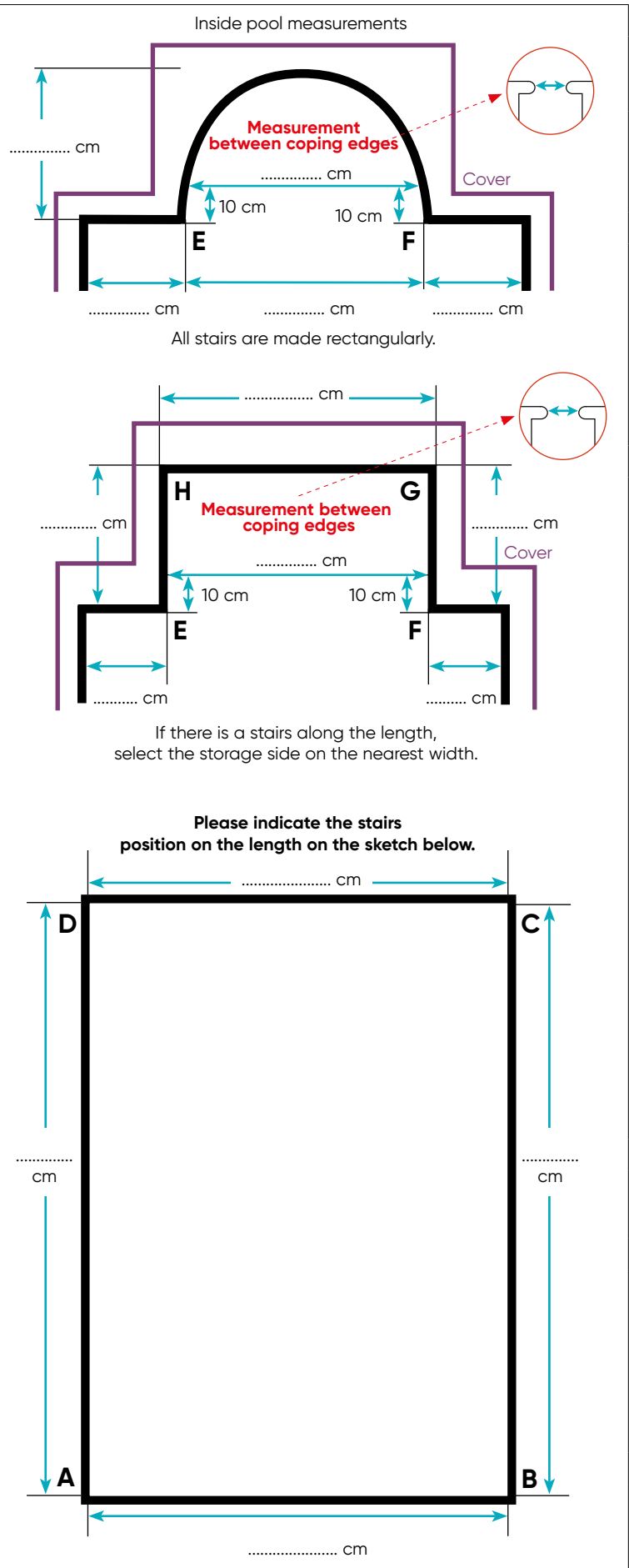
**SKIMMERS**

Skimmer centered - position:  
 On width AB  
 On width CD  
 On length BC  
 On length DA

Skimmer not centered, please position it/them on the drawing

---

**ADDITIONAL INDICATIONS IF REQUIRED**



# TRUCK ACCESS CHECKING GUIDE

Company name:	Customer reference:
---------------	---------------------

## INFO

To help us deliver to you as efficiently as possible, please complete this questionnaire carefully. We decline all liability if the specified delivery location is inaccessible due to the information you have provided. Any additional delivery attempts will be invoiced. Thank you for your understanding.



<b>ORDERED EQUIPMENT</b>			
<input type="checkbox"/> Automatic slatted cover <input type="checkbox"/> Bar cover <input type="checkbox"/> Bubble cover (width over 4.50 m)			
<b>ROAD SIGNAGE LEADING TO THE REQUESTED DELIVERY POINT</b>			
<div style="display: flex; align-items: flex-start;"> <div style="text-align: center; margin-right: 10px;"> <p style="font-size: 8px; margin: 0;">3.5 T</p> </div> <div> <p>Have you already seen this type of road sign on the road that leads to the requested delivery point?</p> <p><input type="checkbox"/> Yes If so, please indicate which ones: .....</p> <p><input type="checkbox"/> No</p> </div> </div>			
<b>ACCESS TO THE REQUESTED DELIVERY POINT: TYPES OF VEHICLE LIKELY TO HAVE ACCESS</b>			
Below are different vehicle types. Indicate which types are likely to be able to pass in front of the requested delivery location.			
<p>Tractor + trailer (38 tonnes):</p> <p><input type="checkbox"/> Yes    <input type="checkbox"/> No</p>	<p>Semi-trailer (38 tonnes):</p> <p><input type="checkbox"/> Yes    <input type="checkbox"/> No</p>	<p>Small carrier (19 tonnes):</p> <p><input type="checkbox"/> Yes    <input type="checkbox"/> No</p>	<p>Small truck (&lt;6 tonnes):</p> <p><input type="checkbox"/> Yes    <input type="checkbox"/> No</p>
<p>Garbage trucks:</p> <p><input type="checkbox"/> Yes    <input type="checkbox"/> No</p>	<p>Concrete mixer trucks:</p> <p><input type="checkbox"/> Yes    <input type="checkbox"/> No</p>	<p>Fuel delivery trucks:</p> <p><input type="checkbox"/> Yes    <input type="checkbox"/> No</p>	<p>Small van:</p> <p><input type="checkbox"/> Yes    <input type="checkbox"/> No</p>
<b>TRUCK CLEARANCES: DETAILS</b>			
Be careful of the truck clearance: Is the delivery address subject to one of the below situations ?			
<p>Electric cables: <input type="checkbox"/> Yes    <input type="checkbox"/> No</p>	<p>Low branches: <input type="checkbox"/> Yes    <input type="checkbox"/> No</p>	<p>Corners of roads: <input type="checkbox"/> Yes    <input type="checkbox"/> No</p>	
<b>OTHER INDICATIONS, PLEASE DESCRIBE</b>			