

Customer N°:	Customer reference:	Order form date:
--------------	---------------------	------------------

<p><b>Company contact details:</b></p> <p>Surname: .....</p> <p>Postcode: ..... City: .....</p> <p>Country: .....</p> <p>Phone: .....</p> <p>E-mail: .....</p> <p>Contact in case of missing measurements: .....</p> <p>.....</p>	<p><b>Delivery address:</b></p> <p>Name: .....</p> <p>Address: .....</p> <p>Postcode: ..... City: .....</p> <p>Country: .....</p> <p>Phone (person to contact) .....</p> <p><input type="checkbox"/> Pick up at DEL Saint-Rémy-de-Provence factory (13210, Saint-Rémy-de-Provence, FRANCE)</p>
---	--

New pool       Existing pool: to avoid re-taking the measurements, please indicate the invoice n°, order n° or delivery document n° for the original cover: .....

**COLOURS**

Bright (beige underside):     Green     Blue     Beige     Almond     Grey     Slate grey

Matt (grey underside):     Light grey

**REQUIRED OVERLAP (pool size + 35 cm by default, 20 cm minimum)**

..... cm on either side

**STAIRS**

Yes       No

**SHAPE**

Square     Roman     Trapezoid

**ACCESSORIES AND OPTIONS**

Storage bag <input type="checkbox"/> Yes <input type="checkbox"/> No Support wires for concrete coping* <input type="checkbox"/> Yes <input type="checkbox"/> No Support wires for wooden coping* <input type="checkbox"/> Yes <input type="checkbox"/> No Fastening handle <input type="checkbox"/> Yes <input type="checkbox"/> No	Protective foam corner <input type="checkbox"/> Yes <input type="checkbox"/> No Special strap for concrete coping ** <input type="checkbox"/> Yes <input type="checkbox"/> No Special strap for wood coping ** <input type="checkbox"/> Yes <input type="checkbox"/> No Waterdrainage grid <input type="checkbox"/> Yes <input type="checkbox"/> No
---	--

\* The support wires are required for snow regions.  
\*\* Accessories not available for safety cover.

**FITTINGS**

<p><b>SAFETY FITTINGS</b></p> <p><b>By choosing safety fittings the cover will be compliant with the NF P90-308 French standard.</b></p> <div style="text-align: right; margin-bottom: 10px;"> </div> <p><b>ANCHOR</b></p> <p>Standard:</p> <p><input type="checkbox"/> Anchor</p> <p>Options:</p> <p><input type="radio"/> P Evolution anchor</p> <p><input type="radio"/> Telescopic Anchor for concrete coping - aluminium</p> <p><input type="radio"/> Telescopic anchor for wood coping</p> <p><b>TENSION</b></p> <p><input type="checkbox"/> Bungee-clic</p> <p style="font-size: small; margin-top: 10px;">For full compliance with the NF P90-308 French standard, it is essential that all the elements composing this safety cover (Anchor, tensioning, etc.) come from CF group.</p> <p style="color: red; font-weight: bold; margin-top: 10px;">IMPORTANT:</p> <p style="color: red; font-size: small;">There should not be any level differences around the pool coping. All accessories around the pool must be removable. For the anchors to be removable using a force of less than 12 kg (once the cover has been stretched) the coping must be concrete or wood, and be sealed.</p>	<p><b>NON-SAFETY FITTINGS</b></p> <p><b>ANCHOR</b></p> <p>Standard:</p> <p><input type="checkbox"/> P anchor</p> <p>Options:</p> <p><input type="radio"/> Lawn anchor - stainless steel</p> <p><input type="radio"/> Telescopic Anchor for concrete coping - aluminium</p> <p><input type="radio"/> Telescopic anchor - brass</p> <p><input type="radio"/> Telescopic Anchor for wooden coping - stainless steel / aluminium anchor</p> <p><b>TENSION</b></p> <p>Standard:</p> <p><input type="checkbox"/> Beige continuous elastic strap</p> <p>Options:</p> <p><input type="radio"/> Beige 2 end elastic strap</p> <p><input type="radio"/> Grey 2 end elastic strap</p>
---	--

# WINTER COVER - COVEA FOR IN-GROUND POOL - DRAWING - 2/2

Customer N°:	Customer reference:	Order form date:	Company:
--------------	---------------------	------------------	----------

## STAIRS

Indicate the stairs position (the measurements must be taken from above):

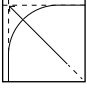
On width AB       On width CD  
 On length AD       On length BC

## POOL

1 Indicate the inside pool measurements

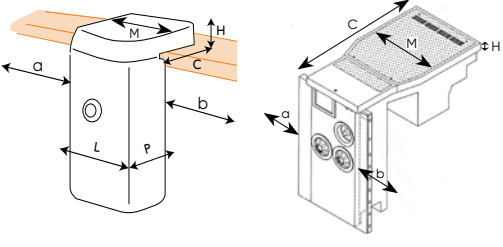
2 Diagonal AC = ..... cm  
 Diagonal BD = ..... cm

Diagonals taken at sharp corners.



## FILTRATION BLOCK - FILTRATION PANEL

If filtration block, indicate the measurements on the diagram



Block - panel reference: .....

Width L = ..... cm

Width of the block out of the water M = ..... cm

Depth P = ..... cm

Block/coping height H = ..... cm

a. Block position = ..... cm

b. Block position = ..... cm

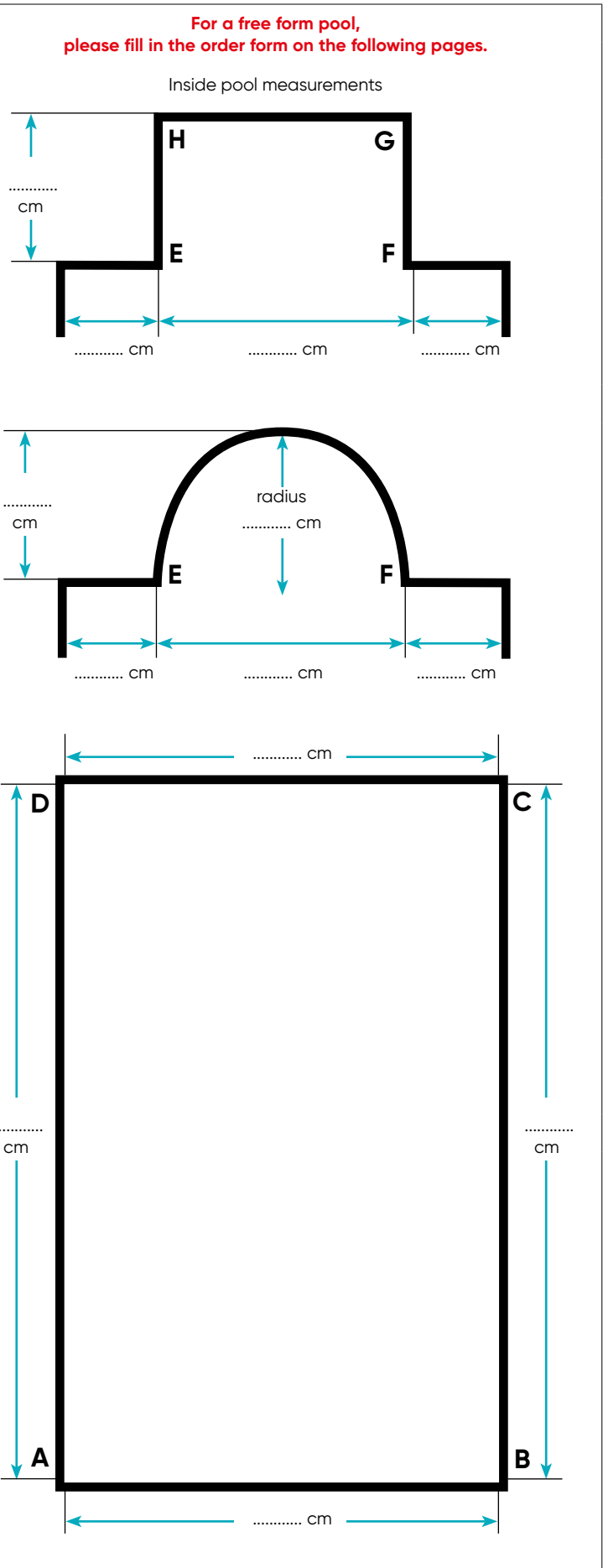
c. Depth on the coping = ..... cm

The block must be rectangular on the pool side to comply with the safety standard.

Indicate the filtration block position:

On width AB  
 On width CD

## ADDITIONAL INDICATIONS IF REQUIRED



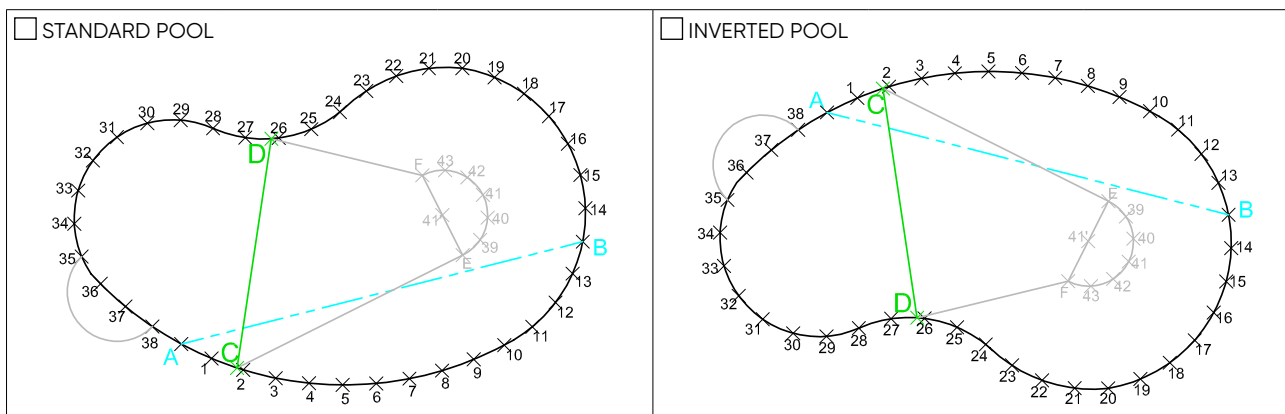
# POOL DRAWING - TRIANGULATION

Customer N°:	Customer reference:	Order form date:	Company:
--------------	---------------------	------------------	----------



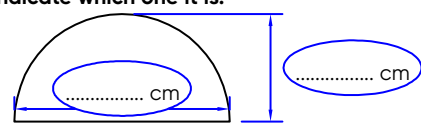
## TAKING MEASUREMENTS USING TRIANGULATION

- Trace two points A and B using a chalk on the pool at the locking unit level. It is important that A and B be spaced at a maximum from each other while keeping the possibility of making all measurements in a straight line.
- Divide the pool boundary into spaces of about 50 cm and number them using a chalk 1, 2, 3, etc.
- Fill in the document.



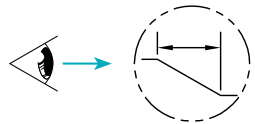
POOL SHAPE TRIANGULATION		AB = ..... cm			
A-1 = ..... cm	A-14 = ..... cm	A-26 = ..... cm	B-1 = ..... cm	B-14 = ..... cm	B-26 = ..... cm
A-2 = ..... cm	A-15 = ..... cm	A-27 = ..... cm	B-2 = ..... cm	B-15 = ..... cm	B-27 = ..... cm
A-3 = ..... cm	A-16 = ..... cm	A-28 = ..... cm	B-3 = ..... cm	B-16 = ..... cm	B-28 = ..... cm
A-4 = ..... cm	A-17 = ..... cm	A-29 = ..... cm	B-4 = ..... cm	B-17 = ..... cm	B-29 = ..... cm
A-5 = ..... cm	A-18 = ..... cm	A-30 = ..... cm	B-5 = ..... cm	B-18 = ..... cm	B-30 = ..... cm
A-6 = ..... cm	A-19 = ..... cm	A-31 = ..... cm	B-6 = ..... cm	B-19 = ..... cm	B-31 = ..... cm
A-7 = ..... cm	A-20 = ..... cm	A-32 = ..... cm	B-7 = ..... cm	B-20 = ..... cm	B-32 = ..... cm
A-8 = ..... cm	A-21 = ..... cm	A-33 = ..... cm	B-8 = ..... cm	B-21 = ..... cm	B-33 = ..... cm
A-9 = ..... cm	A-22 = ..... cm	A-34 = ..... cm	B-9 = ..... cm	B-22 = ..... cm	B-34 = ..... cm
A-10 = ..... cm	A-23 = ..... cm	A-35 = ..... cm	B-10 = ..... cm	B-23 = ..... cm	B-35 = ..... cm
A-11 = ..... cm	A-24 = ..... cm	A-36 = ..... cm	B-11 = ..... cm	B-24 = ..... cm	B-36 = ..... cm
A-12 = ..... cm	A-25 = ..... cm	A-37 = ..... cm	B-12 = ..... cm	B-25 = ..... cm	B-37 = ..... cm
A-13 = ..... cm			B-13 = ..... cm		

CHECK MEASUREMENTS FOR THE PERIPHERY		STAIRS
36-29 = ..... cm	3-11 = ..... cm	Place a point between each side and indicate which one it is: Between ..... and ..... (for example: stairs between 35 and 38)
3-26 = ..... cm	34-15 = ..... cm	
7-24 = ..... cm	32-17 = ..... cm	
11-20 = ..... cm	24-18 = ..... cm	



**IF THIS ORDER FORM IS USED FOR A LINER, PLEASE ALSO FILL IN PART BELOW:**  
 Please place points C and D on either side of the sloping line.

COVING (wall/bottom)			Radius = ..... cm			
MEASUREMENTS TAKEN ABOVE (At the foot of the wall, at the bottom of the pool)			POOL BOTTOM TRIANGULATION		DEPTH AT POINTS	
AC = ..... cm	CE = ..... cm	32-C = ... cm	E39 = ..... cm	F39 = ..... cm	C = ..... cm	32 = ..... cm
AD = ..... cm	CF = ..... cm	32-D = ... cm	E40 = ..... cm	F40 = ..... cm	8 = ..... cm	36 = ..... cm
BC = ..... cm	DF = ..... cm	10-E = ... cm	E41 = ..... cm	F41 = ..... cm	B = ..... cm	E = ..... cm
BD = ..... cm	DE = ..... cm	15-41 = ... cm	E42 = ..... cm	F42 = ..... cm	20 = ..... cm	41 = ..... cm
CD = ..... cm	EF = ..... cm	23-F = ... cm	E43 = ..... cm	F43 = ..... cm	D = ..... cm	F = ..... cm
			41-41' = ..... cm		29 = ..... cm	



**IMPORTANT:**  
 If the stairs has a special shape, don't hesitate to take a photo.