

Customer N°:	Customer reference:	Order form date:
--------------	---------------------	------------------

Company contact details: Surname: Postcode: City: Country: Phone: E-mail: Contact in case of missing measurements:	Delivery address: Name: Address: Postcode: City: Country: Access: <input type="checkbox"/> Semi-trailer <input type="checkbox"/> Carrier Other: Fill in the truck access checking guide on the following pages <input type="checkbox"/> Pick up at DEL Brécé factory (35530 Brécé, FRANCE)
--	--

New build pool Existing pool: In order to avoid taking again measurements of the pool, please indicate the invoice number, order number or reference of the original cover made:

POOL STRUCTURE

Masonry Formwork Polystyrene blocks Other:

Wall thickness:

Average depth or cross-section with height:

Pool interior dimensions: l : x L :

POOL LINER

On-site lining Tiles Silico marble Polyester Other:

EQUIPMENT AND OPTIONS

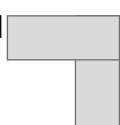
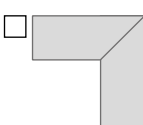
<input type="checkbox"/> Isi-Miroir kit including: channels, corner channels, installation kit and adjustable feet for decking <input type="checkbox"/> Water level control box <input type="checkbox"/> Control panel for water level, power supply and programming of filtration and booster pumps <input type="checkbox"/> Waterproofing angle if different coating between basin and on-site lining <input type="checkbox"/> Colaminated sheet metal angle for laying on-site lining in channels	<input type="checkbox"/> HDPE grid for finishing rollers on channel <input type="checkbox"/> Isi-Level for levelling the base if deviation greater than 2 mm <input type="checkbox"/> Custom-made corner channels if other than 90°. <input type="checkbox"/> Closing kit for non-continuous overflow on 4 sides <input type="checkbox"/> Pump filter <input type="checkbox"/> Sand filter <input type="checkbox"/> Cartridge filter <input type="checkbox"/> Feeding/overflow pumps
--	---

CHANNEL CLADDING AND LEVELLING

Porcelain stoneware channel cladding (Color / aspect) : Length: 60 cm 120 cm
 Anthracite Light grey Waxed concrete Beige Wood (not available on 60 cm) Black Travertine

Coping : cladding from overflow level to porcelain stoneware gutter (color/aspect) : Length: 60 cm 120 cm
 Anthracite Light grey Waxed concrete Beige Wood (not available on 60 cm) Black Travertine

Base width: cm (29 cm maximum)

Planned finish gutter cover stones:  

ADDITIONAL REQUESTS

Hydraulic study On-site lining layout

PROJECT LAYOUT AND DIMENSIONS

I would like to be contacted for further information.

Name and surname: Phone: