

Customer N°:	Customer reference:	Order form date:
--------------	---------------------	------------------

<p>Company contact details:</p> <p>Surname:</p> <p>Postcode: City:</p> <p>Country:</p> <p>Phone:</p> <p>E-mail:</p> <p>Contact in case of missing measurements:</p>	<p>Delivery address:</p> <p>Name:</p> <p>Address:</p> <p>Postcode: City:</p> <p>Country:</p> <p>Phone (person to contact)</p> <p><input type="checkbox"/> Pick up at DEL Saint-Rémy-de-Provence factory (13210, Saint-Rémy-de-Provence, FRANCE)</p>
--	--

New pool Existing pool: to avoid re-taking the measurements, please indicate the invoice n°, order n° or delivery document n° for the original cover:

COLOURS

Bright (beige underside): Green Blue Beige Almond Grey Dark grey

Matt (grey underside): Light grey

REQUESTED OVERLAP (pool size + 35 cm by default, 20 cm minimum, max. pool size 6 x 14 m for a safety cover)

..... cm on either side

STAIRS/FILTRATION BLOCK

Yes No

SHAPE

Square Roman Trapezoid Block

Rectangular
 Roman shape

INFO
For safety cover, roman stairs are made in a rectangular shape.

ACCESSORIES

Storage bag <input type="checkbox"/> Yes <input type="checkbox"/> No	Protective foam corner <input type="checkbox"/> Yes <input type="checkbox"/> No
Support wires for concrete coping* <input type="checkbox"/> Yes <input type="checkbox"/> No	Special strap for concrete coping ** <input type="checkbox"/> Yes <input type="checkbox"/> No
Support wires for wooden coping* <input type="checkbox"/> Yes <input type="checkbox"/> No	Special strap for wood coping ** <input type="checkbox"/> Yes <input type="checkbox"/> No
Fastening handle <input type="checkbox"/> Yes <input type="checkbox"/> No	

* The support wires are required for snow regions.
** Accessories not available for safety cover.

FITTINGS

SAFETY FITTINGS

By choosing safety fittings the cover will be compliant with the NF P90-308 French standard.

ANCHOR

Standard:

P evolution anchor

Options:

Anchor

Telescopic anchor countersunk head screw for concrete - aluminium coping*

Telescopic anchor countersunk head screw for wood coping*

TENSION

Standard:

Bungee-clic

Option:

Safety spring - stainless steel

*Telescopic anchor with countersunk head screw are non compatible with standard bungee-clic tension.

For full compliance with the NF P90-308 French standard, it is essential that all the elements composing this safety cover (anchor, tensioning, etc.) come from CF group.

IMPORTANT:

There should not be any level differences around the pool coping. All accessories around the pool must be removable. In order to avoid the anchors to be removable using a force of less than 12 kg (once the cover has been stretched) the coping must be concrete or wood, and be sealed.

NON-SAFETY FITTINGS

ANCHOR

Standard:

P anchor

Options:

Lawn anchor - stainless steel

Telescopic anchor for concrete coping - aluminium

Telescopic anchor - brass

Telescopic anchor for wooden coping - stainless steel / aluminium anchor

TENSION

Standard:

Beige cabiclic elastic strap

Grey cabiclic elastic strap

Options:

Jocca

Stainless steel spring

Beige 2 end elastic strap

Grey 2 end elastic strap

WINTER COVER - LAKE FOR IN-GROUND POOLS - DRAWING - 2/2

Customer N°:	Customer reference:	Order form date:	Company:
--------------	---------------------	------------------	----------

STAIRS

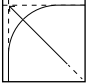
Indicate the stairs position (the measurements must be taken from above):

On width AB On width CD
 On length AD On length BC

POOL

1 Indicate the inside pool measurements

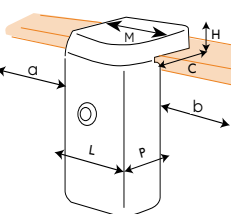
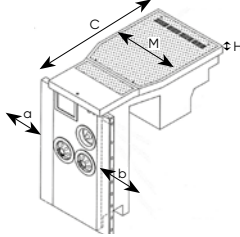
2 Diagonal AC = cm
 Diagonal BD = cm



Diagonals taken at sharp corners.

FILTRATION BLOCK - FILTRATION PANEL

If filtration block, indicate the measurements on the diagram

Block - panel reference:

Width L = cm

Width of the block out of the water M = cm

Depth P = cm

Block/coping height H = cm

a. Block position = cm

b. Block position = cm

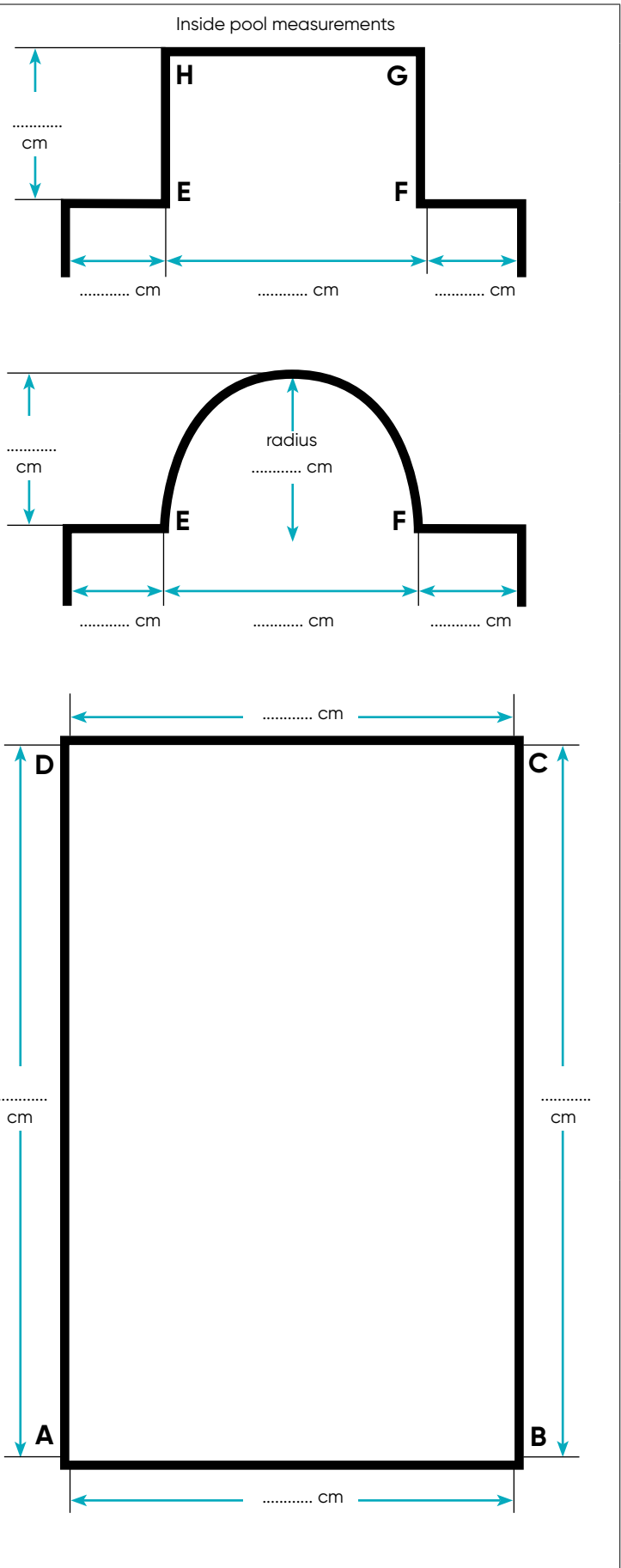
c. Depth on the coping = cm

The block must be rectangular on the pool side to comply with the safety standard.

Indicate the filtration block position:

On width AB
 On width CD

ADDITIONAL INDICATIONS IF REQUIRED



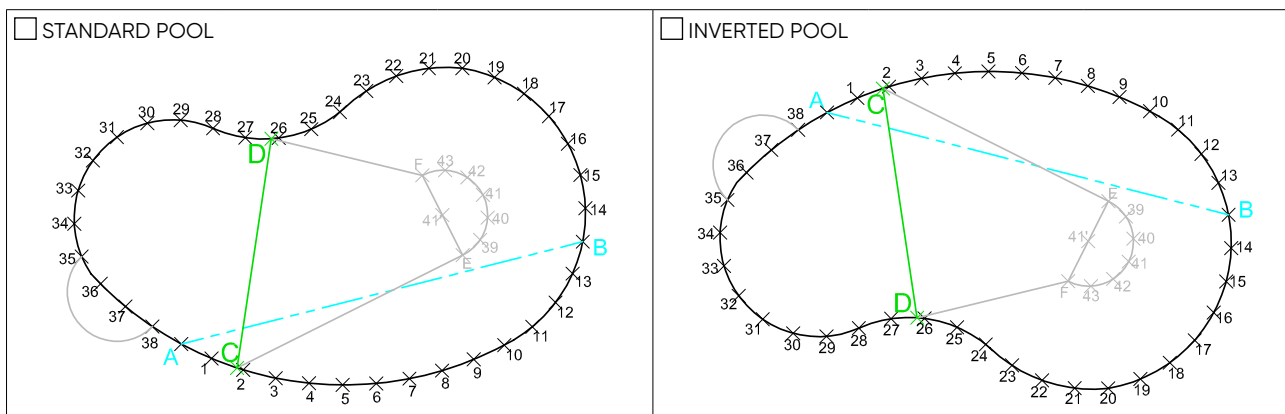
POOL DRAWING - TRIANGULATION

Customer N°:	Customer reference:	Order form date:	Company:
--------------	---------------------	------------------	----------



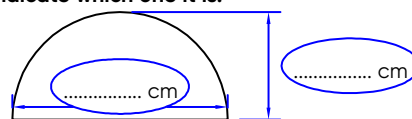
TAKING MEASUREMENTS USING TRIANGULATION

- Trace two points A and B using a chalk on the pool at the locking unit level. It is important that A and B be spaced at a maximum from each other while keeping the possibility of making all measurements in a straight line.
- Divide the pool boundary into spaces of about 50 cm and number them using a chalk 1, 2, 3, etc.
- Fill in the document.



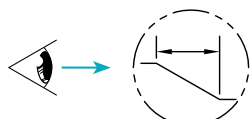
POOL SHAPE TRIANGULATION		AB = cm			
A-1 = cm	A-14 = cm	A-26 = cm	B-1 = cm	B-14 = cm	B-26 = cm
A-2 = cm	A-15 = cm	A-27 = cm	B-2 = cm	B-15 = cm	B-27 = cm
A-3 = cm	A-16 = cm	A-28 = cm	B-3 = cm	B-16 = cm	B-28 = cm
A-4 = cm	A-17 = cm	A-29 = cm	B-4 = cm	B-17 = cm	B-29 = cm
A-5 = cm	A-18 = cm	A-30 = cm	B-5 = cm	B-18 = cm	B-30 = cm
A-6 = cm	A-19 = cm	A-31 = cm	B-6 = cm	B-19 = cm	B-31 = cm
A-7 = cm	A-20 = cm	A-32 = cm	B-7 = cm	B-20 = cm	B-32 = cm
A-8 = cm	A-21 = cm	A-33 = cm	B-8 = cm	B-21 = cm	B-33 = cm
A-9 = cm	A-22 = cm	A-34 = cm	B-9 = cm	B-22 = cm	B-34 = cm
A-10 = cm	A-23 = cm	A-35 = cm	B-10 = cm	B-23 = cm	B-35 = cm
A-11 = cm	A-24 = cm	A-36 = cm	B-11 = cm	B-24 = cm	B-36 = cm
A-12 = cm	A-25 = cm	A-37 = cm	B-12 = cm	B-25 = cm	B-37 = cm
A-13 = cm			B-13 = cm		

CHECK MEASUREMENTS FOR THE PERIPHERY		STAIRS
36-29 = cm	3-11 = cm	Place a point between each side and indicate which one it is: Between and (for example: stairs between 35 and 38)
3-26 = cm	34-15 = cm	
7-24 = cm	32-17 = cm	
11-20 = cm	24-18 = cm	



IF THIS ORDER FORM IS USED FOR A LINER, PLEASE ALSO FILL IN PART BELOW:
 Please place points C and D on either side of the sloping line.

COVING (wall/bottom)			Radius = cm			
MEASUREMENTS TAKEN ABOVE (At the foot of the wall, at the bottom of the pool)			POOL BOTTOM TRIANGULATION		DEPTH AT POINTS	
AC = cm	CE = cm	32-C = ... cm	E39 = cm	F39 = cm	C = cm	32 = cm
AD = cm	CF = cm	32-D = ... cm	E40 = cm	F40 = cm	8 = cm	36 = cm
BC = cm	DF = cm	10-E = cm	E41 = cm	F41 = cm	B = cm	E = cm
BD = cm	DE = cm	15-41 = ... cm	E42 = cm	F42 = cm	20 = cm	41 = cm
CD = cm	EF = cm	23-F = cm	E43 = cm	F43 = cm	D = cm	F = cm
			41-41' = cm		29 = cm	



IMPORTANT:
 If the stairs has a special shape, don't hesitate to take a photo.