

SPEEDY Slatted Cover **Speedy fabrication required:** Yes No

| | | | |
|------------------------|------------|--------------------|--------------------|
| FROM NOVEMBER TO MARCH | APRIL | FROM MAY TO AUGUST | SEPTEMBER, OCTOBER |
| D+5 | D+6 | D+7 | D+6 |

Customer N°: Customer reference: Order form date:

| | |
|---|---|
| <p>Company contact details:</p> <p>Surname:</p> <p>Postcode: City:</p> <p>Country: Phone:</p> <p>E-mail:</p> <p>Contact in case of missing measurements:</p> | <p>Delivery address:</p> <p>Name:</p> <p>Address:</p> <p>Postcode: City:</p> <p>Country:</p> <p>Access: <input type="checkbox"/> Semi-trailer <input type="checkbox"/> Carrier Other:</p> <p>Fill in the truck access checking guide on the following pages</p> <p><input type="checkbox"/> Pick up at DEL Brécé factory (35530 Brécé, FRANCE)</p> |
|---|---|

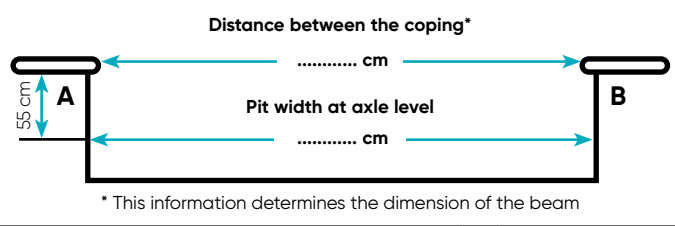
! If all the information is not completed, your order cannot be processed and therefore put into production with the announced leadtime.

New build pool Existing pool: In order to avoid taking again measurements of the pool, please indicate the invoice number, order number or reference of the original cover made:

| LAYOUT | POOL TYPE |
|--|---|
| <p>INSIDE POOL DIMENSIONS TO BE TAKEN AT THE WATER LINE AFTER WATERTIGHTNESS HAS BEEN MADE</p> <p>TUBE / REEL SYSTEM SIDE = AB</p> <p>OPPOSITE SIDE TO REEL SYSTEM</p> <p>REEL SYSTEM SIDE</p> | <p><input type="checkbox"/> Concrete <input type="checkbox"/> Resin <input type="checkbox"/> Wood <input type="checkbox"/> Metal</p> <p><input type="checkbox"/> Polyester shell <input type="checkbox"/> Polystyrene block</p> <p>- Brand:</p> <p>- Model:</p> |
| | <p>WATERTIGHTNESS</p> <p><input type="checkbox"/> Liner* <input type="checkbox"/> On-site lining <input type="checkbox"/> Tiles</p> <p><input type="checkbox"/> Coated <input type="checkbox"/> Other:</p> <p>* For a sharp radius liner, a radius of 5 cm will be made on your slats.</p> |
| | <p>DIAGONALS OF THE POOL</p> <p>Diagonal AC = cm</p> <p>Diagonal BD = cm</p> |
| | <p>STAIRS OR SLAT CUT-OUT</p> <p><input type="checkbox"/> Roman stairs* <input type="checkbox"/> Square stairs*</p> <p><input type="checkbox"/> Trapezoid stairs* <input type="checkbox"/> Slat cut-out (attach a drawing)</p> <p>* Indicate the dimensions in the dedicated stairs layout</p> |
| | <p><input type="checkbox"/> Filtration block <input type="checkbox"/> Ladder (attach a drawing)</p> |
| | <p>SKIMMERS/OVERFLOW</p> <p>Skimmers <input type="checkbox"/> Flush <input type="checkbox"/> Proud of cm</p> <p>Skimmers on the widths: indicate them on the drawing</p> <p>Skimmers on the lengths: <input type="radio"/> BC <input type="radio"/> AD</p> |
| | <p>Overflow on <input type="radio"/> AB <input type="radio"/> BC <input type="radio"/> CD <input type="radio"/> AD</p> <p><input type="radio"/> Infinity control box already existing</p> <p>Standard configuration: 1 kit per 4 m along the length. We recommend hanging mount pushlocks fixings, which will be supplied in raw stainless steel.</p> |
| | <p>skimmer : Indicate the exact skimmer positions.</p> <p>lock : Indicate the positions of the locking kits that have already been installed.</p> <p>To comply with the French NF P90-308 safety standard, the locking kits must be installed in accordance with our recommendations in the technical instructions leaflet.</p> <p>The positioning of the locking kits will be determined by CF group according to the configuration of your pool. A detailed drawing will be sent to you when your cover is delivered.</p> |
| | <p>Limits of use: To comply with all NF P90-308 standards, it is essential that all the elements making up this safety cover (mechanics, slats, motorization...) must come from CF group. If this is not the case, we will not be able to issue this certificate.</p> <p>Limits of use: DEL covers for overflow pools can only be compliant if the pool is equipped with an Infinity box-type device for automatically lowering the water level by at least 2 cm when the cover is closed.</p> <p>At present, DEL covers with a step unit on the length are not compliant with standard NF P90-308.</p> <p>Unless the alarm manufacturer specifies otherwise, immersion alarms are not compatible with DEL covers.</p> |

| | | | |
|--------------|---------------------|------------------|----------|
| Customer N°: | Customer reference: | Order form date: | Company: |
|--------------|---------------------|------------------|----------|

LAYOUT PIT AND COPINGS



SECURIWALL

Yes *Fill in the order form on the following pages..*

No

DECKING

Aluminium decking: White Beige Grey **Smooth IPE decking**

Options for aluminium decking: Non-slip tape Cleaner

Dimensions :

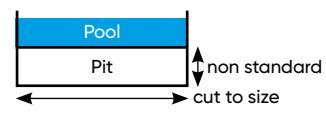
75 cm 90 cm Non standard or for indoor pool* : x cm Cut to size

Options :

Angle bar 50 cm : Yes No

Angle bar 100 cm : Yes No

*Additional lead time.



BEAM

| | |
|--|--|
| <p>BEAM TYPE</p> <p>To be delivered: <input type="checkbox"/> Yes <input type="checkbox"/> No</p> <p><input type="checkbox"/> 100 x 100 mm <input type="checkbox"/> 120 x 100 mm*</p> <p><input type="radio"/> White <input type="radio"/> Beige* <input type="radio"/> Grey</p> <p><small>*For pools max 6 m wide.</small></p> <p>Middle telescopic support for beam</p> <p><input type="checkbox"/> Yes <input type="checkbox"/> No If yes, indicate the quantity:</p> | <p>SUPPORT TYPE</p> <p><i>Must be filled in. Indicate the model type in order to manufacture the beam.</i></p> <p>To be delivered: <input type="checkbox"/> Yes <input type="checkbox"/> No</p> <p><input type="checkbox"/> Insert mount <input type="checkbox"/> Surface mount</p> <p><input type="checkbox"/> Adjustable hanging mount <input type="checkbox"/> Flat adjustable hanging mount</p> |
|--|--|

SUPPORT BRACKETS FOR DECKING WITHOUT BEAM

| | |
|--|---|
| <p>Support bracket for standard pit 90cm <input type="checkbox"/> Yes <input type="checkbox"/> No</p> <p>Decking weight : <input type="checkbox"/> - 50 kg/m² <input type="checkbox"/> + 50 kg/m²</p> <p>Wheels for high water level <input type="checkbox"/> Yes <input type="checkbox"/> No</p> <p>Liner protection wedge <input type="checkbox"/> Yes <input type="checkbox"/> No</p> <p>Telescopic extension <input type="checkbox"/> Yes <input type="checkbox"/> No</p> <p>Skimmer reinforcement kit If Yes, quantity: <input type="checkbox"/> Yes <input type="checkbox"/> No</p> | <div style="border: 1px solid black; padding: 5px;"> <p>i INFO</p> <p>Not compatible with polyester shells and deckings sold by DEL</p> </div> |
|--|---|

CONTROLS

Wi-Key Key switch Insert mount key switch (indoor use)

Extra Wi-Key emitter Yes No If so, indicate the quantity (max. 3):

Remote Wi-Key receiver box Yes No

SLATS

Opaque polycarbonate slats - 69 mm (not compatible with bromine treatment)

Nordic white Anthracite grey

Leave one slat out of three without end cap to ease the sliding of the slats: AD side BC side
By default, all end-caps will be installed.

Solar polycarbonate slats - 69 mm (not compatible with bromine treatment)

Crystal black Silver Absolute black Crystal blue* Crystal* Crystal brown* Crystal green*

Leave one slat out of three without end cap to ease the sliding of the slats: AD side BC side
By default, all end-caps will be installed.

Opaque PVC 69 slats

White Beige Grey Blue*

Leave one slat out of three without end cap to ease the sliding of the slats: AD side BC side
By default, all end-caps will be installed.

Opaque PVC 84 slats

! Choose PVC opaque 69 slats for pool widths of 5.05 m or more.

White Grey

Additional lead time for slats over 6 m long and all slats indicated with a *.

| | | | |
|--------------|---------------------|------------------|----------|
| Customer N°: | Customer reference: | Order form date: | Company: |
|--------------|---------------------|------------------|----------|

LOCKING KITS

| | |
|--|---|
| <input type="checkbox"/> Pushlock <input type="radio"/> White <input type="radio"/> Beige <input type="radio"/> Grey <input type="radio"/> Dark grey <input type="radio"/> Blue <input type="radio"/> Argile green <input type="checkbox"/> Pushlock automatic <input type="radio"/> White <input type="radio"/> Grey <input type="radio"/> Dark grey <input type="radio"/> Noir Options : <input type="radio"/> Flexible eletronical cable 25 m - Quantity: <input type="radio"/> Flexible eletronical cable 50 m - Quantity: To be delivered: <input type="radio"/> With the cover <input type="radio"/> Only the parts on the slats (wall kits already installed) <input type="checkbox"/> Quicklock + Tool (only for opaque PVC 69 and solar polycarbonate slats) <input type="radio"/> White <input type="radio"/> Beige <input type="radio"/> Grey <input type="checkbox"/> White straplock kit (only for opaque PVC 69 and solar polycarbonate slats) <input type="radio"/> Concrete coping anchors <input type="radio"/> Wood coping anchors | Fittings <input type="checkbox"/> Insert mount <input type="checkbox"/> Surface mount <input type="checkbox"/> Hanging mount <input type="checkbox"/> High hanging mount (Pushlock only) |
|--|---|

WINTER SHIFT / PROTECTIVE COVERING

Ivernea One: Yes *Fill in the order form on the following pages* No
Ivernea: Yes *Fill in the order form on the following pages* No
Ivernea Plus: Yes *Fill in the order form on the following pages* No

SIDE SUPPORTS

Standard supports (by default) Small supports

OPTIONS

| | |
|---|--|
| LivePool cover | <input type="checkbox"/> Yes <input type="checkbox"/> No |
| 15 m motor cable | <input type="checkbox"/> Yes <input type="checkbox"/> No |
| Extra motor cable (from 15 m) | 15 + m |
| Stainless steel tube (for pools max 6 m wide) | <input type="checkbox"/> Yes <input type="checkbox"/> No |
| Hanging supports (Fittings Hanging mount) | <input type="checkbox"/> Yes <input type="checkbox"/> No |
| Junction box | <input type="checkbox"/> Yes <input type="checkbox"/> No |
| Junction box gel (set of 2 cartridges) | <input type="checkbox"/> Yes <input type="checkbox"/> No |
| Earth-grounding: | Ø 50 mm <input type="checkbox"/> Yes <input type="checkbox"/> No |
| | Ø 63 mm <input type="checkbox"/> Yes <input type="checkbox"/> No |
| Decking lifter tool | <input type="checkbox"/> Yes <input type="checkbox"/> No |
| Overflow guide (indicate the position of the overflow on page 1) | <input type="checkbox"/> Yes <input type="checkbox"/> No |

STAIRS SLATS - DRAWING

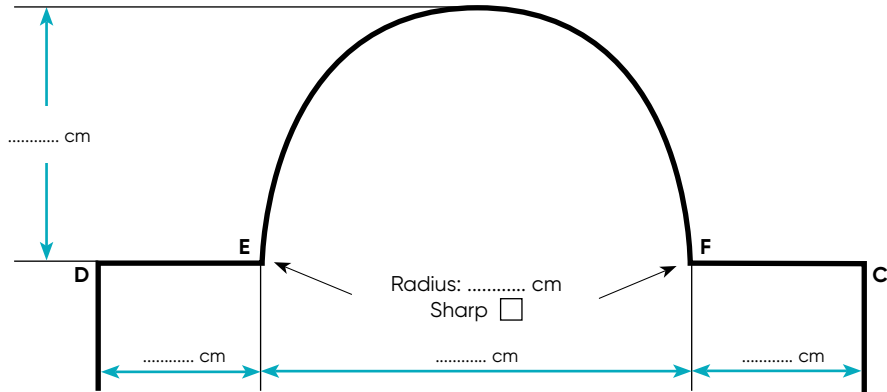
| | | | |
|--------------|---------------------|------------------|----------|
| Customer N°: | Customer reference: | Order form date: | Company: |
|--------------|---------------------|------------------|----------|

: Indicate the exact skimmer positions

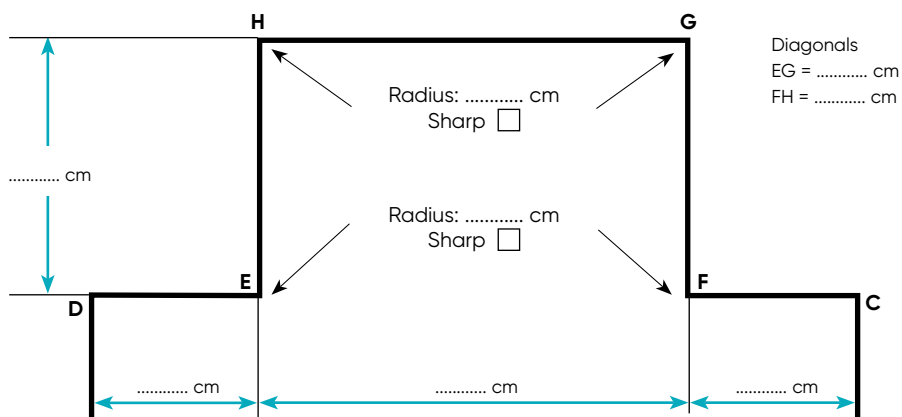
: Indicate the position of the locking kits that have already been installed

ROMAN STAIRS

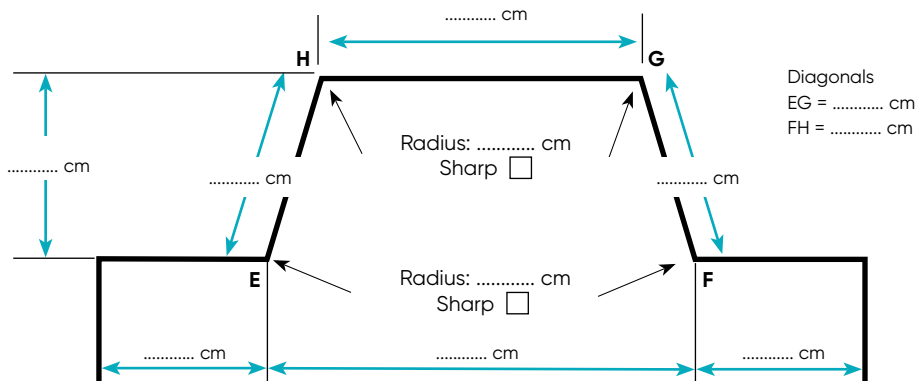
We recommend the use of the measurement-taking order triangulation form
See the order form on the next page.



SQUARE STAIRS



TRAPEZOID STAIRS



TRIANGULATION DRAWING FOR STAIRS SLATS

| | | | |
|--------------|---------------------|------------------|----------|
| Customer N°: | Customer reference: | Order form date: | Company: |
|--------------|---------------------|------------------|----------|

CD = cm

EF = cm

CF = cm

ED = cm

EP = cm

E1 = cm

E2 = cm

E3 = cm

E4 = cm

E5 = cm

E6 = cm

E7 = cm

F1 = cm

F2 = cm

F3 = cm

F4 = cm

F5 = cm

F6 = cm

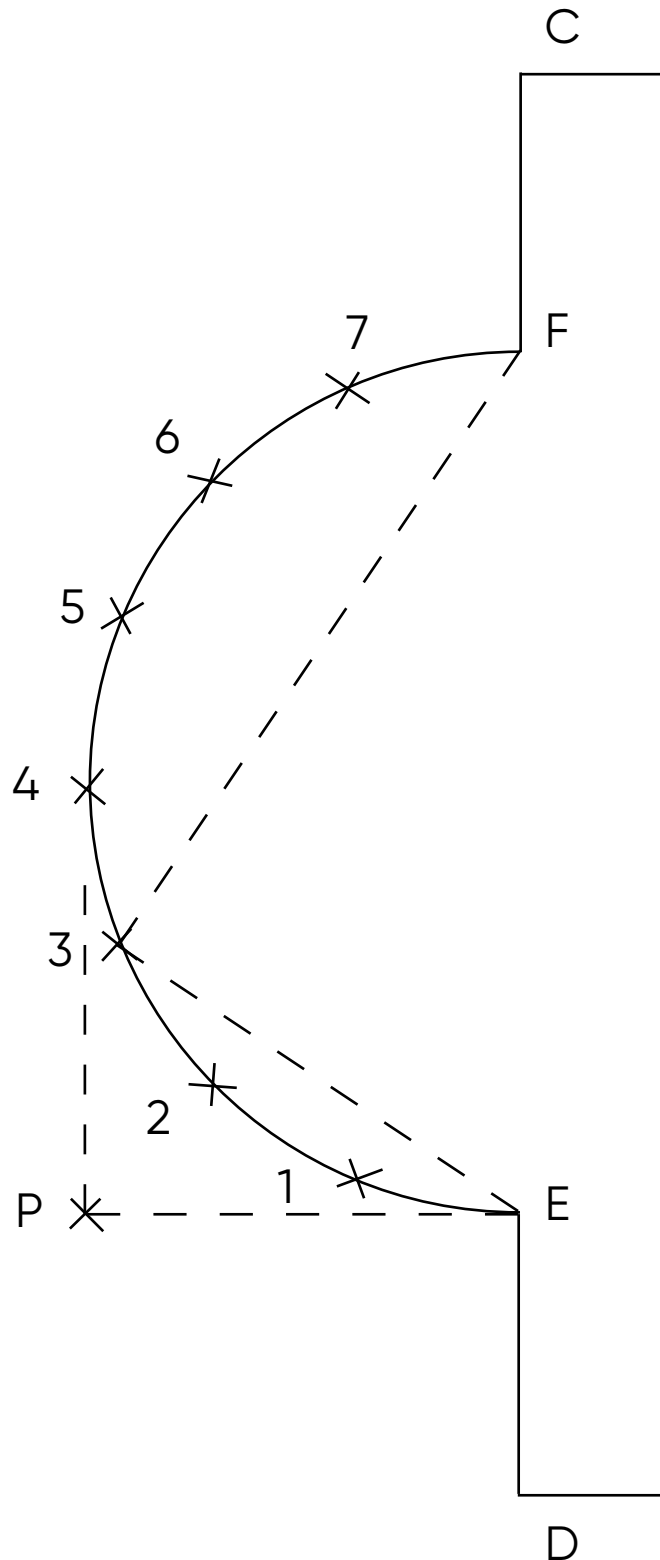
F7 = cm

Corner radius C =cm

Corner radius D =cm

Corner radius E =cm

Corner radius F =cm



| | | |
|--------------------|---------------------------|------------------------|
| Customer N°: | Customer reference: | Order form date: |
|--------------------|---------------------------|------------------------|

| | |
|---|---|
| <p>Company contact details:</p> <p>Surname:</p> <p>Postcode: City:</p> <p>Country: Phone:</p> <p>E-mail:</p> <p>Contact in case of missing measurements:</p> <p>.....</p> <p>.....</p> | <p>Delivery address:</p> <p>Name:</p> <p>Address:</p> <p>Postcode: City:</p> <p>Country:</p> <p>Access: <input type="checkbox"/> Semi-trailer <input type="checkbox"/> Carrier Other:</p> <p>Fill in the truck access checking guide on the following pages</p> <p><input type="checkbox"/> Pick up at DEL Brécé factory (35530 Brécé, FRANCE)</p> |
|---|---|

! If all the information is not completed, your order cannot be processed and therefore put into production with the announced leadtime.

New build pool Existing pool: In order to avoid taking again measurements of the pool, please indicate the invoice number, order number or reference of the original cover made:

RECOMMANDATIONS

Securiwall can fit all types of pools: new build or existing pool, concrete, polyester shell or panels (with concrete reinforcement to fix the plates) till 7.07 m width and 2.07 m depth from the beam.

It is suitable for aluminium beams 120 x 100 mm or 100 x 100 mm with surface mount beam supports. Do not forget to order these with your beam.

COLOUR

White Beige Grey

OPTION

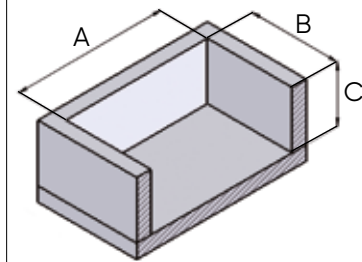
Hanging supports (hanging mount): Yes No

BOTTOM OF THE POOL

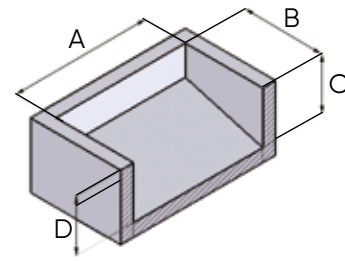
Tick the corresponding drawing for your pool and fill in the requested dimensions.

BE CAREFUL: the dimensions must be taken flush the beam axle.

Flat bottom



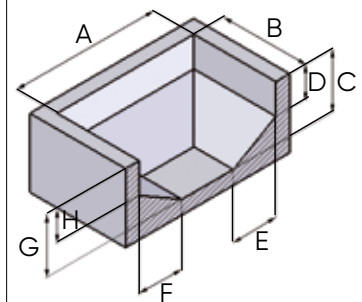
Constant slope



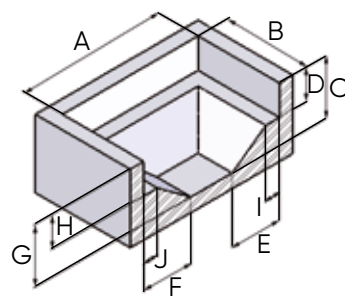
Dimensions

| | |
|---|----|
| A | cm |
| B | cm |
| C | cm |
| D | cm |
| E | cm |
| F | cm |
| G | cm |
| H | cm |
| I | cm |
| J | cm |

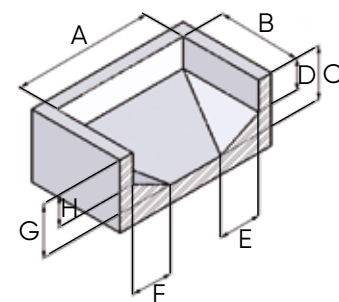
Hopper



Hopper 2



Hopper 3



Horizontal radius must be less than or equal to 15 cm, and cut corners less than or equal to 10 cm.

Radius \geq 15 cm/Cut corners \geq 10 cm Yes
(if yes, the pool is considered a hopper)

For other configurations, please attach a drawing for a specific study by our technicians.

TRUCK ACCESS CHECKING GUIDE

| | |
|---------------|---------------------|
| Company name: | Customer reference: |
|---------------|---------------------|

INFO

To help us deliver to you as efficiently as possible, please complete this questionnaire carefully. We decline all liability if the specified delivery location is inaccessible due to the information you have provided. Any additional delivery attempts will be invoiced. Thank you for your understanding.



| | | | |
|---|---|--|---|
| ORDERED EQUIPMENT | | | |
| <input type="checkbox"/> Automatic slatted cover <input type="checkbox"/> Bar cover <input type="checkbox"/> Bubble cover (width over 4.50 m) | | | |
| ROAD SIGNAGE LEADING TO THE REQUESTED DELIVERY POINT | | | |
| <div style="display: flex; align-items: flex-start;"> <div style="text-align: center; margin-right: 10px;"> <p style="font-size: 8px; margin: 0;">3.5 T</p> </div> <div> <p>Have you already seen this type of road sign on the road that leads to the requested delivery point?</p> <p><input type="checkbox"/> Yes If so, please indicate which ones:</p> <p><input type="checkbox"/> No</p> </div> </div> | | | |
| ACCESS TO THE REQUESTED DELIVERY POINT: TYPES OF VEHICLE LIKELY TO HAVE ACCESS | | | |
| Below are different vehicle types. Indicate which types are likely to be able to pass in front of the requested delivery location. | | | |
| <p>Tractor + trailer (38 tonnes):</p> <p><input type="checkbox"/> Yes <input type="checkbox"/> No</p> | <p>Semi-trailer (38 tonnes):</p> <p><input type="checkbox"/> Yes <input type="checkbox"/> No</p> | <p>Small carrier (19 tonnes):</p> <p><input type="checkbox"/> Yes <input type="checkbox"/> No</p> | <p>Small truck (<6 tonnes):</p> <p><input type="checkbox"/> Yes <input type="checkbox"/> No</p> |
| <p>Garbage trucks:</p> <p><input type="checkbox"/> Yes <input type="checkbox"/> No</p> | <p>Concrete mixer trucks:</p> <p><input type="checkbox"/> Yes <input type="checkbox"/> No</p> | <p>Fuel delivery trucks:</p> <p><input type="checkbox"/> Yes <input type="checkbox"/> No</p> | <p>Small van:</p> <p><input type="checkbox"/> Yes <input type="checkbox"/> No</p> |
| TRUCK CLEARANCES: DETAILS | | | |
| Be careful of the truck clearance: Is the delivery address subject to one of the below situations ? | | | |
| <p>Electric cables: <input type="checkbox"/> Yes <input type="checkbox"/> No</p> | <p>Low branches: <input type="checkbox"/> Yes <input type="checkbox"/> No</p> | <p>Corners of roads: <input type="checkbox"/> Yes <input type="checkbox"/> No</p> | |
| OTHER INDICATIONS, PLEASE DESCRIBE | | | |
| | | | |

IVERNEA ONE, IVERNEA & IVERNEA PLUS WINTER PROTECTION COVERS

| | | |
|--------------|---------------------|------------------|
| Customer N°: | Customer reference: | Order form date: |
|--------------|---------------------|------------------|

| | |
|--|--|
| Company contact details: Surname: Postcode: City: Country: Phone: E-mail: Contact in case of missing measurements: | Delivery address: Name: Address: Postcode: City: Country: Phone (person to contact) <input type="checkbox"/> Pick up at DEL Brécé factory (35530 Brécé, FRANCE) |
|--|--|

New pool Existing pool: to avoid re-taking the measurements, please indicate the invoice n°, order n° or delivery document n° for the original cover:

Caution, Ivernea One, Ivernea and Ivernea Plus covers are not compatible with a solar PVC slatted cover.

SLATS

In-ground (decking above water) In-ground (decking under water) Above-ground (without covering) Above-ground (with covering)

| MODEL / COLOUR |
|--|
| Ivernea One: <input type="checkbox"/> Beige <input type="checkbox"/> Grey Ivernea: <input type="checkbox"/> Beige <input type="checkbox"/> Grey Ivernea plus: <input type="checkbox"/> Ivernea Plus |
| POOL DIMENSIONS <small>(for in-ground covers, indicate the size excluding the pit)</small> |
| Length: cm Width: cm Dimension of the water level under the coping <input type="checkbox"/> Less than 3 cm => not possible <input type="checkbox"/> Between 3 and 6 cm <input type="checkbox"/> More than 6 cm |
| Diagonals Diagonal AC = cm Diagonal BD = cm Diagonals taken at sharp corners. |
| CORNER RADIUS |
| A = cm B = cm C = cm D = cm |
| STAIRS |
| <input type="checkbox"/> Yes <input type="checkbox"/> No SHAPE: <input type="checkbox"/> Square <input type="checkbox"/> Roman Indicate the stairs position: <input type="radio"/> On the AB width <input type="radio"/> On the CD width <input type="radio"/> Along the AD length <input type="radio"/> Along the BC length |
| FILTRATION BLOCK / CUT |
| <input type="checkbox"/> Yes (supply a drawing) <input type="checkbox"/> No |
| FITTINGS |
| Bungee-clip |
| OPTION |
| <input type="checkbox"/> Additional bungee clip(s): quantity: recommended for windy regions. <input type="checkbox"/> Additional anchors for windy regions <i>Options not available for Ivernea One</i> |

