

Customer N°:	Customer reference:	Order form date:
--------------	---------------------	------------------

<p>Company contact details:</p> <p>Surname:</p> <p>Postcode: City:</p> <p>Country:</p> <p>Phone:</p> <p>E-mail:</p> <p>Contact in case of missing measurements:</p> <p>.....</p>	<p>Delivery address:</p> <p>Name:</p> <p>Address:</p> <p>Postcode:City:</p> <p>Country.....</p> <p>Phone (person to contact)</p> <p><input type="checkbox"/> Pick up at DEL Brécé factory (35530 Brécé, FRANCE)</p>
---	--

New pool Existing pool: to avoid re-taking the measurements, please indicate the invoice n°, order n° or delivery document n° for the original cover:

COLOUR

Green

REQUIRED OVERLAP (pool size + 35 cm by default, 20 cm minimum)

..... cm on either side

STAIRS

Yes No

SHAPE

Square Roman Trapezoid

French Safety Standard
For covers compliant with the standard
the stairs will be manufactured in a rectangular shape.

ACCESSORIES

Storage bag (for cover max 90 m²)	<input type="checkbox"/> Yes	<input type="checkbox"/> No	INFO The support wires are mandatory for pools wider than 6.00 m and necessary for snowy region.
Support wires for concrete coping	<input type="checkbox"/> Yes	<input type="checkbox"/> No	
Support wires for wooden coping	<input type="checkbox"/> Yes	<input type="checkbox"/> No	

FITTINGS

<p>SAFETY FITTINGS</p> <p>By choosing safety fittings the cover will be compliant with the NF P90-308 French standard.</p> <div style="text-align: right; margin-bottom: 10px;"> </div> <p>ANCHOR</p> <p>Standard:</p> <p><input type="checkbox"/> P evolution anchor</p> <p><u>Options:</u></p> <p><input type="radio"/> Telescopic anchor for concrete coping - aluminium</p> <p><input type="radio"/> Telescopic anchor for wood coping</p> <p>TENSION</p> <p>Standard:</p> <p><input type="checkbox"/> Safety spring - stainless steel</p> <p style="font-size: x-small; margin-top: 20px;">For full compliance with the NF P90-308 French standard, it is essential that all the elements composing this safety cover (anchor, tensioning, etc.) come from CF group.</p> <p style="color: red; font-weight: bold; font-size: small; margin-top: 10px;">IMPORTANT: There should not be any level differences around the pool coping. All accessories around the pool must be removable. In order to avoid the anchors to be removable using a force of less than 12 kg (once the cover has been stretched) the coping must be concrete or wood, and be sealed.</p>	<p>NON-SAFETY FITTINGS</p> <p>ANCHOR</p> <p>Standard:</p> <p><input type="checkbox"/> P anchor</p> <p><u>Options:</u></p> <p><input type="radio"/> Lawn anchor - stainless steel</p> <p><input type="radio"/> Telescopic anchor for concrete coping - aluminium</p> <p><input type="radio"/> Telescopic anchor - brass</p> <p><input type="radio"/> Telescopic anchor for wooden coping - stainless steel / aluminium anchor</p> <p>TENSION</p> <p>Standard:</p> <p><input type="checkbox"/> Stainless steel spring</p>
---	--

Customer N°:	Customer reference:	Order form date:	Company:
--------------	---------------------	------------------	----------

STAIRS

Indicate the stairs position (the measurements must be taken from above):

On width AB On width CD

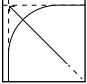
On length AD On length BC

POOL

1 Indicate the inside pool measurements

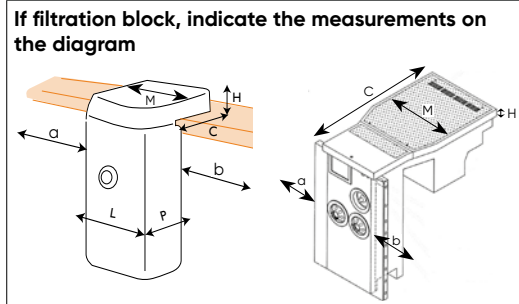
2 Diagonal AC = cm

 Diagonal BD = cm



Diagonals taken at sharp corners.

FILTRATION BLOCK - FILTRATION PANEL



Block - panel reference:

Width L = cm

Width of the block out of the water M = cm

Depth P = cm

Block/coping height H = cm

a. Block position = cm

b. Block position = cm

c. Depth on the coping = cm

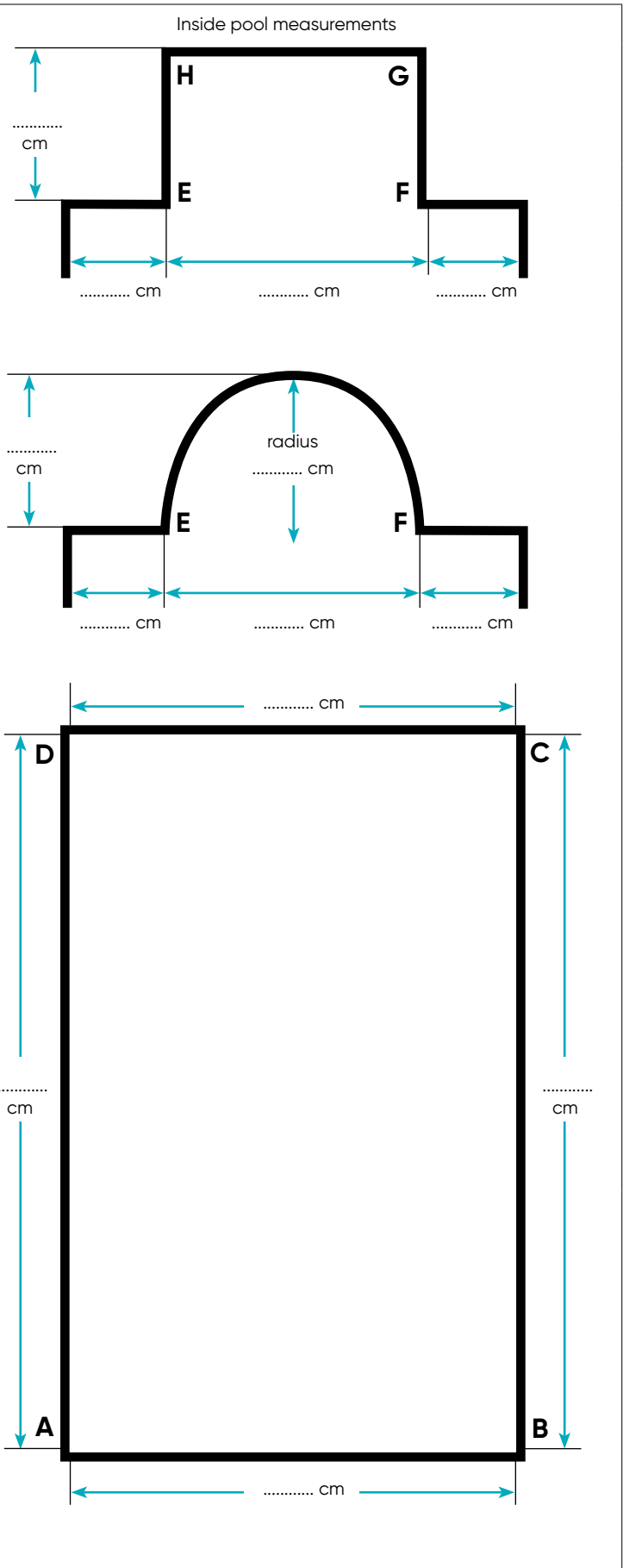
The block must be rectangular on the pool side to comply with the safety standard.

Indicate the filtration block position:

On width AB

On width CD

ADDITIONAL INDICATIONS IF REQUIRED



POOL DRAWING - TRIANGULATION

Customer N°:	Customer reference:	Order form date:	Company:
--------------	---------------------	------------------	----------



TAKING MEASUREMENTS USING TRIANGULATION

- Trace two points A and B using a chalk on the pool at the locking unit level. It is important that A and B be spaced at a maximum from each other while keeping the possibility of making all measurements in a straight line.
- Divide the pool boundary into spaces of about 50 cm and number them using a chalk 1, 2, 3, etc.
- Fill in the document.

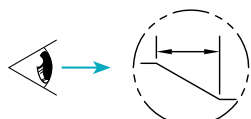
<input type="checkbox"/> STANDARD POOL	<input type="checkbox"/> INVERTED POOL
--	--

POOL SHAPE TRIANGULATION		AB = cm			
A-1 = cm	A-14 = cm	A-26 = cm	B-1 = cm	B-14 = cm	B-26 = cm
A-2 = cm	A-15 = cm	A-27 = cm	B-2 = cm	B-15 = cm	B-27 = cm
A-3 = cm	A-16 = cm	A-28 = cm	B-3 = cm	B-16 = cm	B-28 = cm
A-4 = cm	A-17 = cm	A-29 = cm	B-4 = cm	B-17 = cm	B-29 = cm
A-5 = cm	A-18 = cm	A-30 = cm	B-5 = cm	B-18 = cm	B-30 = cm
A-6 = cm	A-19 = cm	A-31 = cm	B-6 = cm	B-19 = cm	B-31 = cm
A-7 = cm	A-20 = cm	A-32 = cm	B-7 = cm	B-20 = cm	B-32 = cm
A-8 = cm	A-21 = cm	A-33 = cm	B-8 = cm	B-21 = cm	B-33 = cm
A-9 = cm	A-22 = cm	A-34 = cm	B-9 = cm	B-22 = cm	B-34 = cm
A-10 = cm	A-23 = cm	A-35 = cm	B-10 = cm	B-23 = cm	B-35 = cm
A-11 = cm	A-24 = cm	A-36 = cm	B-11 = cm	B-24 = cm	B-36 = cm
A-12 = cm	A-25 = cm	A-37 = cm	B-12 = cm	B-25 = cm	B-37 = cm
A-13 = cm			B-13 = cm		

CHECK MEASUREMENTS FOR THE PERIPHERY		STAIRS
36-29 = cm	3-11 = cm	Place a point between each side and indicate which one it is: Between and (for example: stairs between 35 and 38)
3-26 = cm	34-15 = cm	
7-24 = cm	32-17 = cm	
11-20 = cm	24-18 = cm	

IF THIS ORDER FORM IS USED FOR A LINER, PLEASE ALSO FILL IN PART BELOW:
Please place points C and D on either side of the sloping line.

COVING (wall/bottom)			Radius = cm			
MEASUREMENTS TAKEN ABOVE (At the foot of the wall, at the bottom of the pool)			POOL BOTTOM TRIANGULATION		DEPTH AT POINTS	
AC = cm	CE = cm	32-C = cm	E39 = cm	F39 = cm	C = cm	32 = cm
AD = cm	CF = cm	32-D = cm	E40 = cm	F40 = cm	8 = cm	36 = cm
BC = cm	DF = cm	10-E = cm	E41 = cm	F41 = cm	B = cm	E = cm
BD = cm	DE = cm	15-41 = cm	E42 = cm	F42 = cm	20 = cm	41 = cm
CD = cm	EF = cm	23-F = cm	E43 = cm	F43 = cm	D = cm	F = cm
			41-41' = cm		29 = cm	



IMPORTANT:
If the stairs has a special shape, don't hesitate to take a photo.