

BAR COVER - PREMIUM/EASY - POOL WITH APPENDAGE

 SPEEDY Bar Cover	Speedy fabrication required: <input type="checkbox"/> Yes <input type="checkbox"/> No	FROM NOVEMBER TO MARCH	APRIL	FROM MAY TO AUGUST	SEPTEMBER, OCTOBER
		D+4	D+5	D+6	D+5

Customer N°:	Customer reference:	Order form date:
--------------------	---------------------------	------------------------

Company contact details: Surname: Postcode: Town/City: Phone: E-mail: Contact in case of missing measurements:	Delivery address: Name: Address: Postcode: Town/City: Country Phone (person to contact) Access: <input type="checkbox"/> Semi-trailer <input type="checkbox"/> Carrier Other: Fill in the truck access checking guide on p. 367. Pick up at: <input type="checkbox"/> DEL Brécé factory (35530 Brécé, FRANCE) <input type="checkbox"/> DEL Saint-Rémy-de-Provence factory (13210, Saint-Rémy-de-Provence, FRANCE)
--	---

New pool Existing pool: to avoid re-taking the measurements, please indicate the invoice n°, order n° or delivery document n° for the original cover:

		
---	---	---

COVER MODELS

Premium (B-2.1)
 Premium Universal (B-2.2)
 Premium Color (B-2.3)
 Easy (B-2.4)

COLOURS

Bright (beige underside)
 Green Blue Beige Almond Grey Slate grey
 Matt (grey underside)
 Light grey

RECTANGULAR POOL DIMENSIONS (max pool dimensions: 5.50 x 12.00 m)

Width: m Length: m **IMPORTANT:** In case of free-shaped pool please send a drawing for special study and to state the position of the protection pads.
 Free-form shape

REQUESTED OVERLAP (Pool size + 25 cm on each side by default, minimum 20 cm on each side)

..... cm on each side (≤ 40 cm)

STAIRS

Stair along the width (ratchet strap tensioning): <input type="checkbox"/> Yes <input type="checkbox"/> No Stair along the length (tensioning using a beige safety elastic strap): <input type="checkbox"/> Yes <input type="checkbox"/> No	Whatever their shape, stairs are manufactured in a rectangular shape.
--	---

CUTTING

Cut corners: <input type="checkbox"/> Yes <input type="checkbox"/> No If yes, attach a drawing of the pool.	Filtration block, filtration panel (on the storage side by default) <input type="checkbox"/> Yes <input type="checkbox"/> No CAUTION: When cut-out on the rolling side, please consult us.
--	---

FITTINGS

<input type="checkbox"/> Stainless steel aluminium anchor for concrete coping <input type="checkbox"/> Anchor for wood coping By default stainless steel anchors for concrete coping will be delivered.	IMPORTANT: There should not be any level differences around the pool coping. All accessories around the pool must be removable. In order to avoid anchors to be removable using a force of less than 12 kg (once the cover has been stretched) the coping must be concrete or wood, and be sealed.
---	--

OPTIONS

<input type="checkbox"/> Roll-e (max. rolling dimension: 5.00 x 12.00 m cover) <input type="radio"/> Roll-e left adapter <input type="checkbox"/> Anti-abrasion strip <input type="checkbox"/> Wind kit with cables built into the bar	<input type="checkbox"/> Wind kit with visible straps <input type="checkbox"/> Snow kit <input type="checkbox"/> Water bags, colour: <input type="radio"/> Grey <input type="radio"/> Beige
---	--

For full compliance with the NF P90-308 French standard, it is essential that all the elements composing the safety cover (anchor, tension types, etc.) be provided by CF Group.

POOL DRAWING WITH APPENDAGE BAR COVER - PREMIUM/EASY

Customer N°:	Customer reference:	Order form date:	Company:
--------------	---------------------	------------------	----------

POOL

1 Indicate the pool inside dimensions
..... cm

2 Diagonal AC = cm
Diagonal BD = cm

Diagonals taken at sharp corners.

STAIRS

Indicate the stair position:

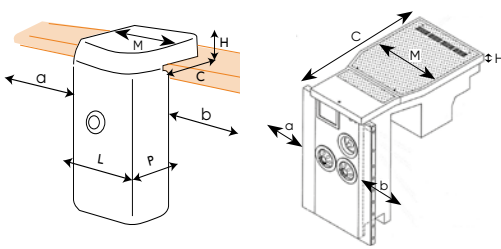
On the AB width On the CD width
 Along the AD length Along the BC length

Diagonal EG = cm
Diagonal FH = cm

Diagonals taken at sharp corners.

FILTRATION BLOCK - FILTRATION PANEL

If filtration block, indicate the measurements on the diagram



Block - panel reference:

Width L = cm
Width of the block out of the water M = .. cm
Depth P = cm
Block/coping height H = cm

a. Block position = cm
b. Block position = cm
c. Depth on the coping = cm

The block must be rectangular on the pool side to comply with the safety standard.

Indicate the filtration block position:

On width AB
 On width CD

STORAGE

Storage side once the cover is rolled:

AB CD

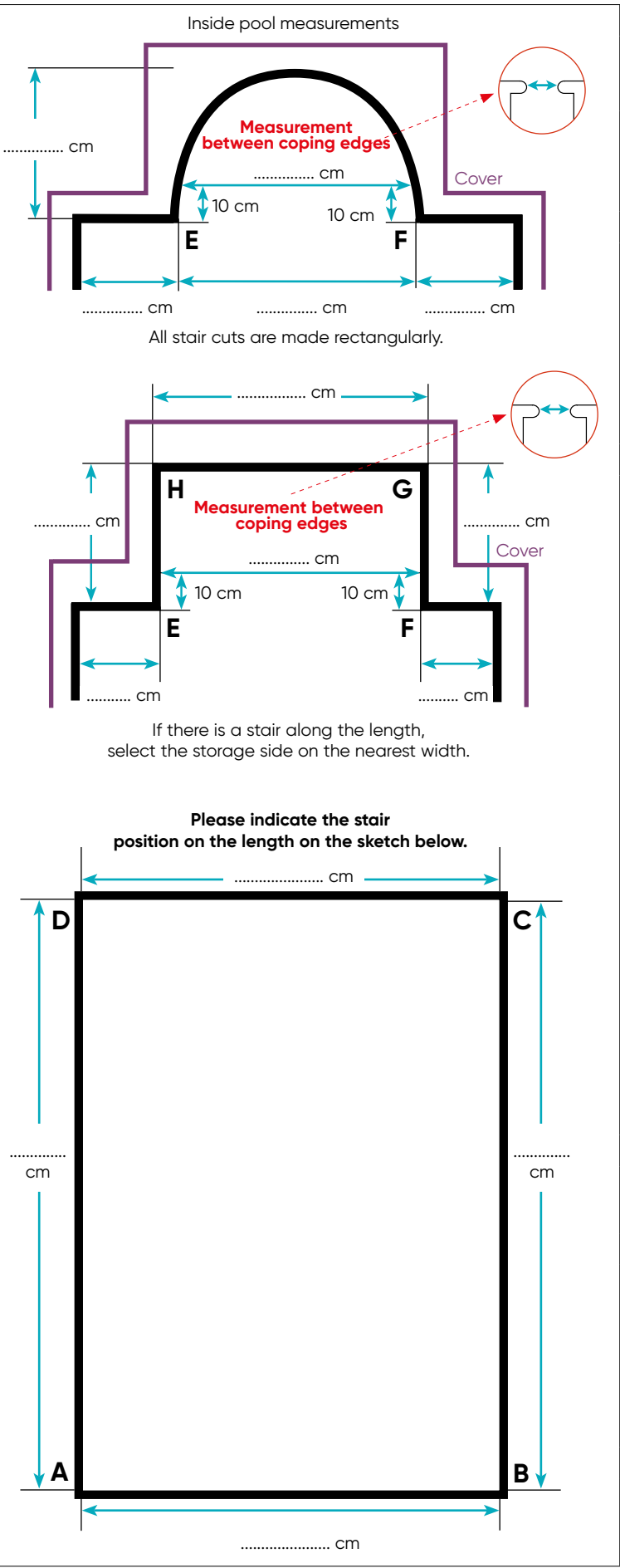
SKIMMERS

Skimmer centred - position :

- On width AB
- On width CD
- On length BC
- On length DA

Skimmer not centred, please represent it/them on the drawing

ADDITIONAL INDICATIONS IF REQUIRED



TRUCK ACCESS CHECKING GUIDE

Company name:	Customer reference:
---------------	---------------------

i INFO

To allow us to deliver to you with maximum efficiency, please fill in this questionnaire carefully. We decline all liability in the event of the required delivery location being inaccessible due to the indications you have provided. Any new deliveries will be invoiced to you. Thank you for your understanding.



ORDERED EQUIPMENT

Automatic slatted cover
 Bar cover
 Bubble cover (over 4.50 m)
 Pool kits solutions/above-ground pools

ROAD SIGNAGE LEADING TO THE REQUESTED DELIVERY POINT



Have you already seen this type of road sign on the road that leads to the requested delivery point?

Yes If so, please indicate which ones:
 No

ACCESS TO THE REQUESTED DELIVERY POINT: TYPES OF VEHICLE LIKELY TO HAVE ACCESS

Below are different vehicle types. Indicate which types are likely to be able to pass in front of the requested delivery location.

 Tractor + trailer (38 tonnes): <input type="checkbox"/> Yes <input type="checkbox"/> No	 Semi-trailer (38 tonnes): <input type="checkbox"/> Yes <input type="checkbox"/> No	 Small carrier (19 tonnes): <input type="checkbox"/> Yes <input type="checkbox"/> No	 Small truck (6 tonnes): <input type="checkbox"/> Yes <input type="checkbox"/> No
 Garbage trucks: <input type="checkbox"/> Yes <input type="checkbox"/> No	 Concrete mixer trucks: <input type="checkbox"/> Yes <input type="checkbox"/> No	 Fuel delivery trucks: <input type="checkbox"/> Yes <input type="checkbox"/> No	 Small van: <input type="checkbox"/> Yes <input type="checkbox"/> No

TRUCK CLEARANCES: DETAILS

Be careful of the truck clearance: Is the delivery address subject to one of the below situations ?

 Electric cables: <input type="checkbox"/> Yes <input type="checkbox"/> No	 Low branches: <input type="checkbox"/> Yes <input type="checkbox"/> No	 Corners of roads: <input type="checkbox"/> Yes <input type="checkbox"/> No
---	--	--

OTHER INDICATIONS, PLEASE DESCRIBE