

Customer N°:	Customer reference:	Order form date:	Company:
--------------	---------------------	------------------	----------

SLATS**In standard: Opaque PVC 84 slats**

! Take PVC opaque 69 slats if your pool up to 5.05 m wide.

White Grey

Solar polycarbonate slats - 69 mm (not compatible with bromine treatment)

Crystal black Silver Crystal blue* Crystal* Crystal brown* Crystal green*

Leave one slat out of three without end cap to ease the sliding of the slats: AD side BC side

By default, all endcaps will be installed.

Additional lead time for slats over 6 m long. *Additional lead time

Opaque PVC 69 slats

White Beige Grey Blue*

Leave one slat out of three without end cap to ease the sliding of the slats: AD side BC side

By default, all endcaps will be installed.

Additional lead time for slats over 6 m long. *Additional lead time.

STAIRS OR SLAT CUT-OUT

Roman stair Square stair Trapezoid stair Slat cut-out (attach a plan)

LOCKING KITS**For opaque PVC 84 slats****Pushlock**

White Beige Grey Dark grey Blue Argile green

Fittings:

Insert mount
 Surface mount
 Hanging mount
 High hanging mount

For opaque PVC 69 and solar polycarbonate slats **Pushlock**

White Beige Grey Dark grey Blue Argile green

 Quicklock + Tool

White Beige Grey

 White straplock kit

Concrete coping anchors Wood coping anchors

Fittings:

Insert mount
 Surface mount
 Hanging mount
 High hanging mount (Pushlock only)

BEAM**BEAM TYPE**

To be delivered: Yes No

100 x 100 mm 120 x 100 mm*

White Beige* Grey

*Available up to a width of 6 m.

SUPPORT TYPE

Must be filled in. Indicate the model type in order to manufacture the beam.

To be delivered: Yes No

Insert mount Surface mount

Adjustable hanging mount Liner hanging mount

DECKING **Smooth teak decking**

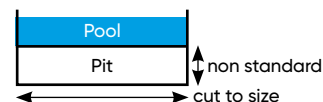
Aluminium decking: White Beige Grey

Options for aluminium decking: Non-slip tape Cleaner

75 cm 90 cm Non standard or for indoor pool*: x cm

Cut to size

*Additional lead time.

**SECURIWALL**

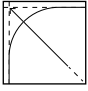
Yes **Fill in the order form on p. 366.** No

WINTER SHIFT / PROTECTIVE COVERING


Ivernea: Yes **Fill in the order form on p. 397.** No

Ivernea plus: Yes **Fill in the order form on p. 397.** No

Customer N°:	Customer reference:	Order form date:	Company:
--------------	---------------------	------------------	----------

POOL TYPE	
<input type="checkbox"/> Polyester shell - Brand: - Model: <input type="checkbox"/> Concrete <input type="checkbox"/> Resin <input type="checkbox"/> Wood <input type="checkbox"/> Polystyrene block <input type="checkbox"/> Metal	
WATERTIGHTNESS	
<input type="checkbox"/> Liner <input type="checkbox"/> On-site lining <input type="checkbox"/> Tiles <input type="checkbox"/> Coated <input type="checkbox"/> Other:	
POOL	
Diagonals Diagonal AC = cm Diagonal BD = cm	
	
Overflow	
<input type="checkbox"/> Yes (by default 1 every 4 m on each length) on <input type="radio"/> AB <input type="radio"/> BC <input type="radio"/> CD <input type="radio"/> AD <input type="checkbox"/> No <input type="radio"/> Infinity control box (we recommend the Pushlock hanging mount kits)	
INFO	
For an overflow pool, the hanging mount kits will be delivered in raw stainless-steel.	
Coping overhang	
..... cm	

skimmer : Indicate the exact skimmer positions.

 : Indicate the positions of the locking kits that have already been installed.

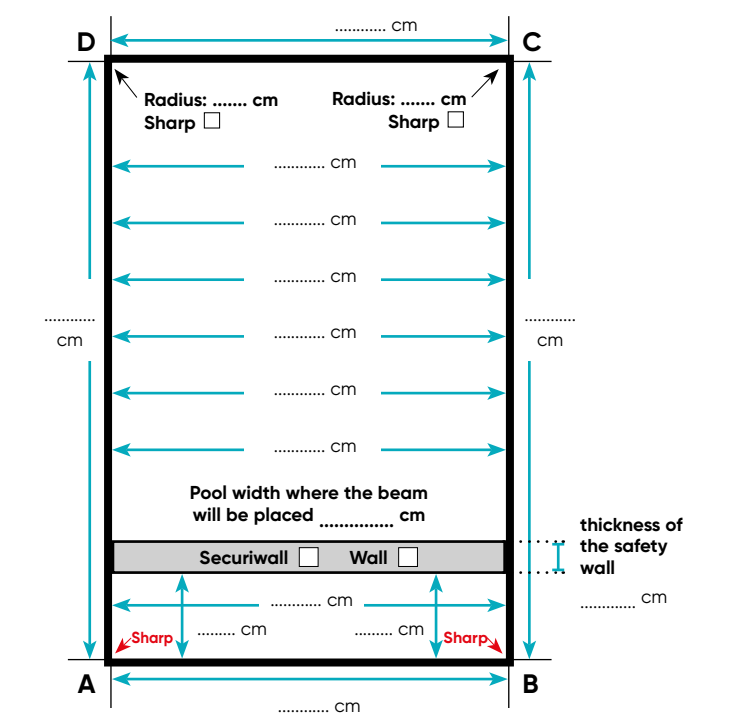
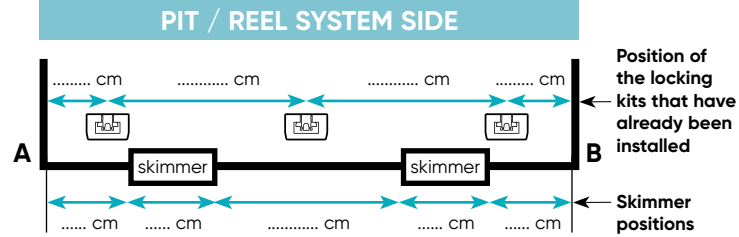
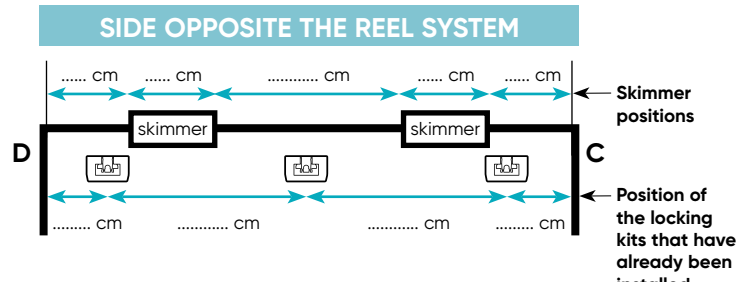
To comply with the French NF P90-308 safety standard, the locking kits must be installed in accordance with our recommendations in the technical instructions leaflet. The positioning of the locking kits will be determined by CF Group according to the configuration of your pool. A detailed plan will be sent to you when your cover is delivered.

ADDITIONAL INDICATIONS IF REQUIRED

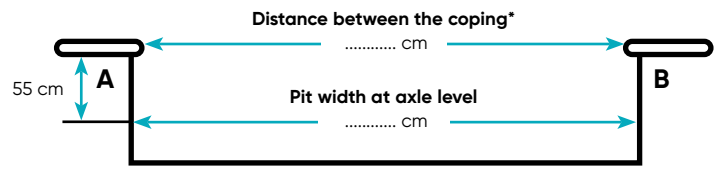
! INTERIOR POOL DIMENSIONS TO BE TAKEN AT THE WATER LINE AFTER WATERTIGHTNESS HAS BEEN MADE

Skimmer thickness
 Flush Proud of cm
Skimmers on the widths indicate them on the drawing
Skimmers on the lengths: BC AD

Stairs (see p. 364).



i TUBE / REEL SYSTEM SIDE = AB



*This information determines the dimension of the beam

SLATTED COVER TRIANGULATION DRAWING

Customer N°:	Customer reference:	Order form date:	Company:
--------------	---------------------	------------------	----------

CD = cm

EF = cm

CF = cm

ED = cm

EP = cm

E1 = cm

E2 = cm

E3 = cm

E4 = cm

E5 = cm

E6 = cm

E7 = cm

F1 = cm

F2 = cm

F3 = cm

F4 = cm

F5 = cm

F6 = cm

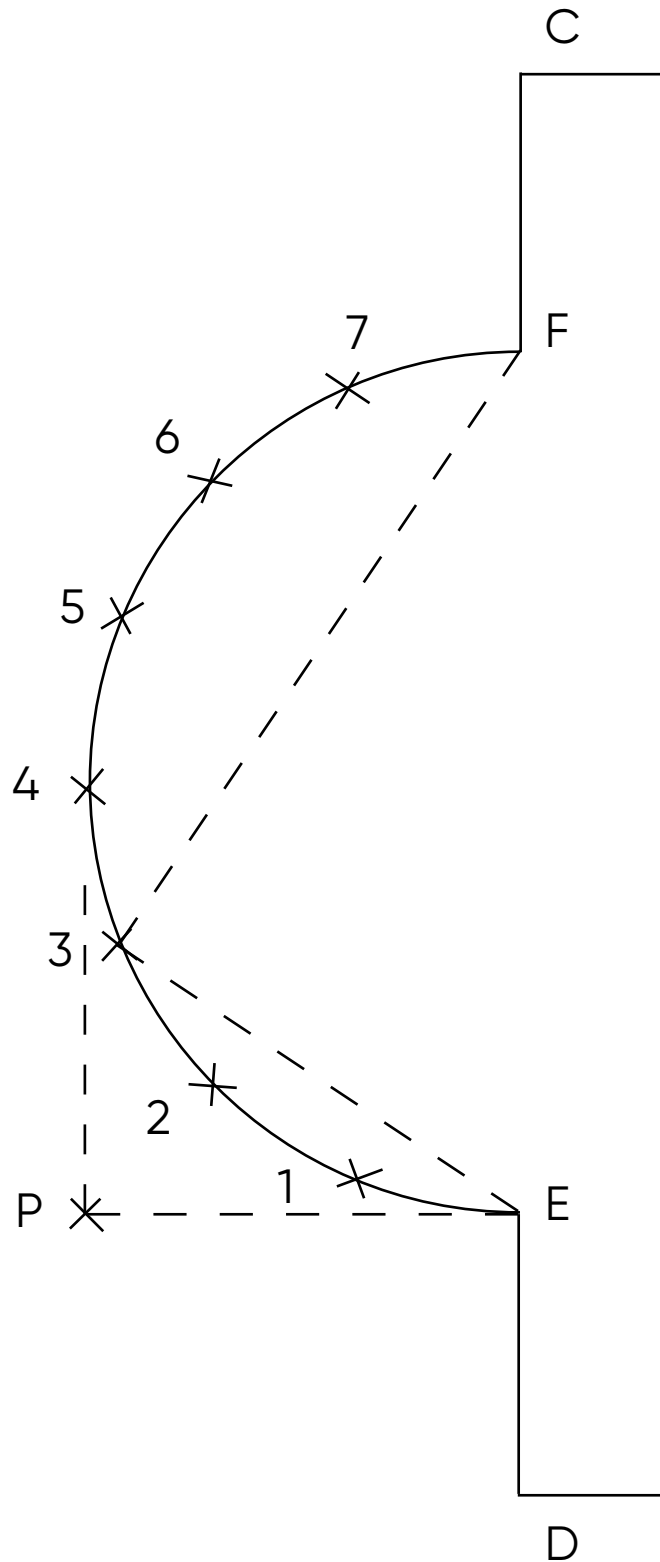
F7 = cm

Corner radius C =cm

Corner radius D =cm

Corner radius E =cm

Corner radius F =cm



Customer N°:	Customer reference:	Order form date:
--------------------	---------------------------	------------------------

<p>Company contact details:</p> <p>Surname:</p> <p>Postcode: Town/City: Country</p> <p>Phone:</p> <p>E-mail:</p> <p>Contact in case of missing measurements:</p> <p>.....</p> <p>.....</p>	<p>Delivery address:</p> <p>Name:</p> <p>Address:</p> <p>Postcode: Town/City: Country</p> <p>Access: <input type="checkbox"/> Semi-trailer <input type="checkbox"/> Carrier Other:</p> <p>Fill in the truck access checking guide on p. 367.</p> <p><input type="checkbox"/> Pick up at DEL Brécé factory (35530 Brécé, FRANCE)</p>
---	--

New build pool Existing pool: In order to avoid taking again measurements of the pool, please indicate the invoice number, order number or reference of the original cover made:

RECOMMENDATIONS

SECURIWALL can fit all types of pools: new build or existing pool, concrete, polyester shell or panels (with concrete reinforcement to fix the plates) till 7.07 m width and 2.07 m depth from the beam.

It is suitable for aluminium beams 120 x 100 mm or 100 x 100 mm with surface mount beam supports. Do not forget to order these with your beam.

COLOUR

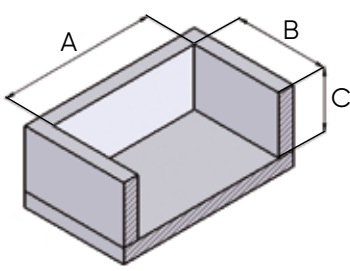
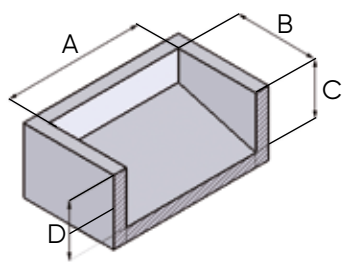
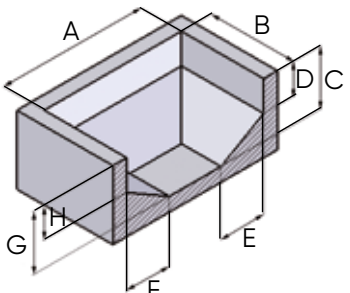
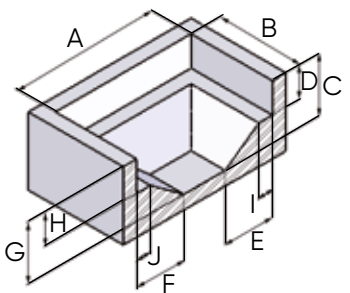
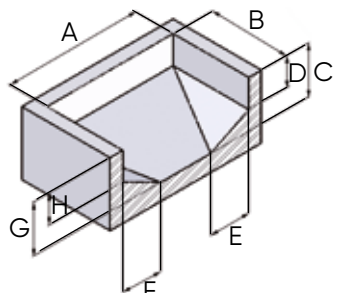
White Beige Grey

OPTION

Hanging supports (hanging mount) Yes No

BOTTOM OF THE POOL

Tick the corresponding drawing for your pool and fill in the requested dimensions.
BE CAREFUL: the dimensions must be taken flush the beam axle.

<input type="checkbox"/> Flat bottom 	<input type="checkbox"/> Constant slope 	<p>Dimensions</p> <table border="1" style="width:100%; border-collapse: collapse;"> <tr><td>A</td><td>cm</td></tr> <tr><td>B</td><td>cm</td></tr> <tr><td>C</td><td>cm</td></tr> <tr><td>D</td><td>cm</td></tr> <tr><td>E</td><td>cm</td></tr> <tr><td>F</td><td>cm</td></tr> <tr><td>G</td><td>cm</td></tr> <tr><td>H</td><td>cm</td></tr> <tr><td>I</td><td>cm</td></tr> <tr><td>J</td><td>cm</td></tr> </table>	A	cm	B	cm	C	cm	D	cm	E	cm	F	cm	G	cm	H	cm	I	cm	J	cm
A	cm																					
B	cm																					
C	cm																					
D	cm																					
E	cm																					
F	cm																					
G	cm																					
H	cm																					
I	cm																					
J	cm																					
<input type="checkbox"/> Hopper 	<input type="checkbox"/> Hopper 2 	<input type="checkbox"/> Hopper 3 																				

Coving must be less or equal 15 cm, cut corners less or equal 10 cm.
 Radius ≤ 15 cm Yes Beveled coving ≤ 10 cm Yes

Different dimension or bottom profile, please attach a drawing for a specific study by our technicians.

TRUCK ACCESS CHECKING GUIDE

Company name:	Customer reference:
---------------	---------------------

i INFO

To allow us to deliver to you with maximum efficiency, please fill in this questionnaire carefully. We decline all liability in the event of the required delivery location being inaccessible due to the indications you have provided. Any new deliveries will be invoiced to you. Thank you for your understanding.



ORDERED EQUIPMENT

Automatic slatted cover
 Bar cover
 Bubble cover (over 4.50 m)
 Pool kits solutions/above-ground pools

ROAD SIGNAGE LEADING TO THE REQUESTED DELIVERY POINT



Have you already seen this type of road sign on the road that leads to the requested delivery point?

Yes If so, please indicate which ones:
 No

ACCESS TO THE REQUESTED DELIVERY POINT: TYPES OF VEHICLE LIKELY TO HAVE ACCESS

Below are different vehicle types. Indicate which types are likely to be able to pass in front of the requested delivery location.

 Tractor + trailer (38 tonnes): <input type="checkbox"/> Yes <input type="checkbox"/> No	 Semi-trailer (38 tonnes): <input type="checkbox"/> Yes <input type="checkbox"/> No	 Small carrier (19 tonnes): <input type="checkbox"/> Yes <input type="checkbox"/> No	 Small truck (6 tonnes): <input type="checkbox"/> Yes <input type="checkbox"/> No
 Garbage trucks: <input type="checkbox"/> Yes <input type="checkbox"/> No	 Concrete mixer trucks: <input type="checkbox"/> Yes <input type="checkbox"/> No	 Fuel delivery trucks: <input type="checkbox"/> Yes <input type="checkbox"/> No	 Small van: <input type="checkbox"/> Yes <input type="checkbox"/> No

TRUCK CLEARANCES: DETAILS

Be careful of the truck clearance: Is the delivery address subject to one of the below situations ?

 Electric cables: <input type="checkbox"/> Yes <input type="checkbox"/> No	 Low branches: <input type="checkbox"/> Yes <input type="checkbox"/> No	 Corners of roads: <input type="checkbox"/> Yes <input type="checkbox"/> No
---	--	--

OTHER INDICATIONS, PLEASE DESCRIBE

Customer N°:	Customer reference:	Order form date:
--------------------	---------------------------	------------------------

<p>Company contact details:</p> <p>Surname:</p> <p>Postcode: Town/City: Country:</p> <p>Phone:</p> <p>E-mail:</p> <p>Contact in case of missing measurements:</p>	<p>Delivery address:</p> <p>Name:</p> <p>Address:</p> <p>Postcode: Town/City: Country:</p> <p>Phone (person to contact)</p> <p><input type="checkbox"/> Pick up at DEL Brécé factory (35530 Brécé, FRANCE)</p>
--	---

New pool Existing pool: to avoid re-taking the measurements, please indicate the invoice n°, order n° or delivery document n° for the original cover:

Caution, Ivernea and Ivernea covers are not compatible with a solar PVC slat cover.

SLATS

In-ground (decking above water) In-ground (decking under water) Above-ground (without covering) Above-ground (with covering)

MODEL / COLOUR

Ivernea:

Green Blue Beige Grey

Ivernea plus:

Ivernea Plus

POOL DIMENSIONS
(for in-ground covers, indicate the size excluding the pit)

Length: cm

Width: cm

Diagonals

Diagonal AC = cm

Diagonal BD = cm

Diagonals taken at sharp corners. 

CORNER RADIUS

A = cm

B = cm

C = cm

D = cm

STAIRS

Yes No

SHAPE:

Square Roman

Indicate the stair position:

On the AB width On the CD width

Along the AD length Along the BC length

FILTRATION BLOCK / CUT

Yes (supply a drawing) No

FITTINGS

Bungee-clip

OPTION

Extra Bungee-clip(s): recommended for windy areas.

