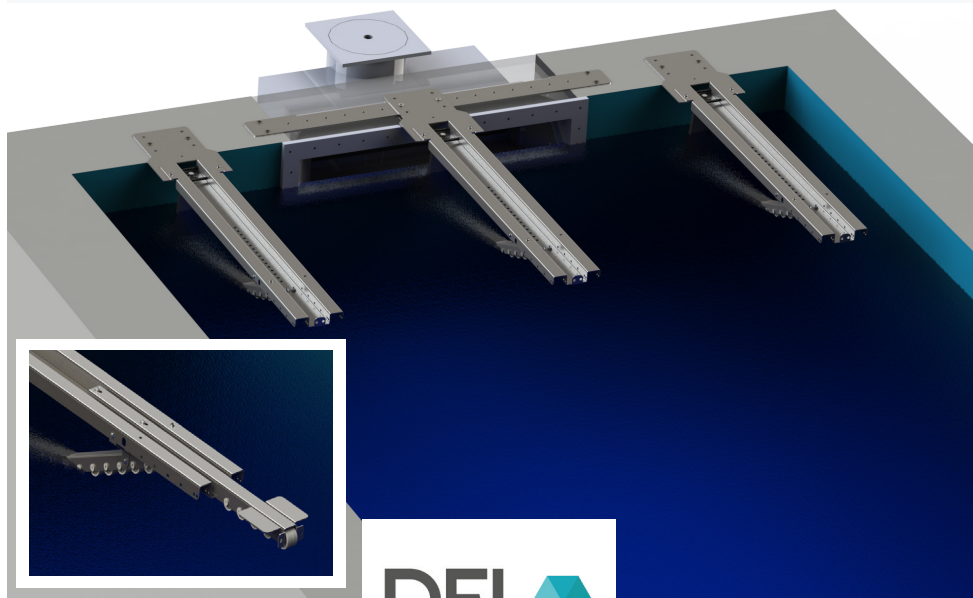


EN

INSTALLATION GUIDELINES

INSTALLATION/SERVICING/MAINTENANCE/SAFETY ADVICE



DEL 

SUBMERGED COVER OPTION

BRACKET FOR CLADDING WITHOUT BEAM

CONTENTS

PLEASE READ THESE INSTRUCTIONS CAREFULLY AND KEEP THEM FOR FUTURE REFERENCE

Please read this manual carefully to help you understand all of the information and to ensure safe installation, use and servicing. We are not held liable for any damage arising due to a failure to respect the instructions set out in this manual.

INFORMATION	3
Prerequisites	3
DESCRIPTION	4
Components provided.....	4
Tools required for mounting.....	5
Packing list	5
Mounting.....	5
INFORMATION	6
To comply with NF P 90-308 standard	6
INSTALLATION	7
Positioning	7
Installation of the seal and fastening of the flush-mounted base plate	8
Option: skimmer protection.....	9
Positioning of the bracket.....	10
Option: high water level	11
Option: telescopic extension.....	11
Fastening of the standard counterweight	12
Fastening of the elastic cord for the stair counterweight.....	13
Advice.....	13
SAFETY ADVICE	14
RECYCLING	16
Packaging	16
End of lifecycle	16

INFORMATION

PREREQUISITES



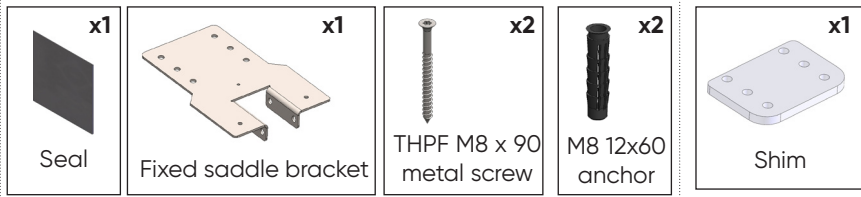
- **WE ADVISE YOU TO READ ALL THE INSTALLATION STEPS BEFORE FITTING TO AVOID UNNECESSARY HANDLING.**



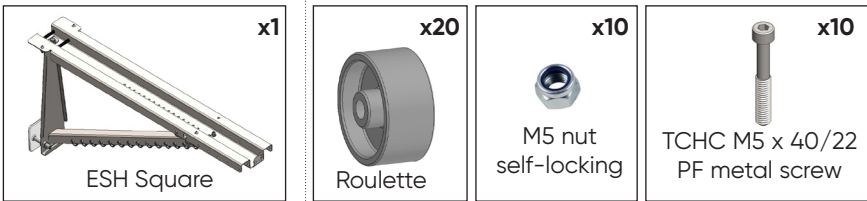
Remember to wear safety equipment.

DESCRIPTION

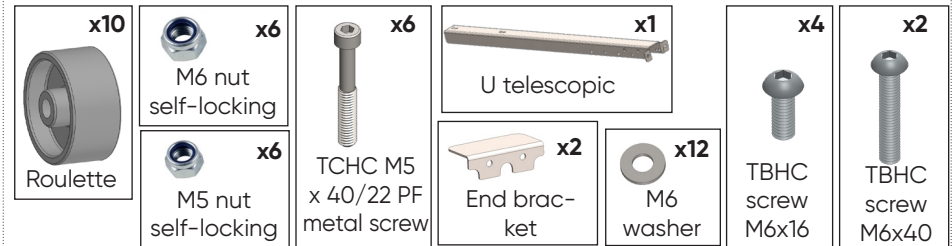
COMPONENTS PROVIDED



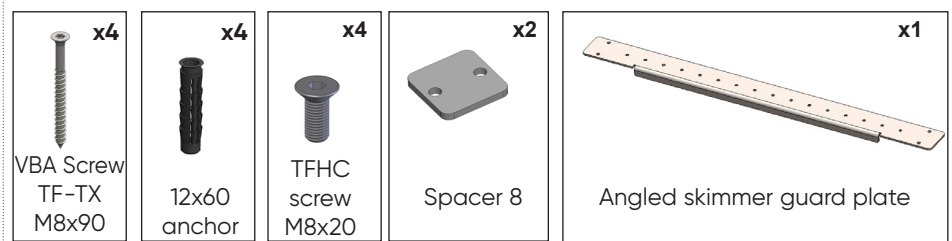
▶ HIGH WATER LEVEL OPTION



▶ TELESCOPIC EXTENSION OPTION








▶ SKIMMER REINFORCEMENT OPTION








DESCRIPTION

TOOLS REQUIRED FOR MOUNTING



	Meter and decameter
	Level
	Perforator
 Ø12	Concrete drill
	Adjustable pliers

	Screwdriver
	Cutter
 N°10 - 13 - 17	Flat wrench
	Allen key
	Hammer

PACKING LIST

Example for a 4m pool:
 1 parcel - 1.20 x 1.00 x 0.55m 40kg
 Total weight : 40kg

MOUNTING

 **1 people**

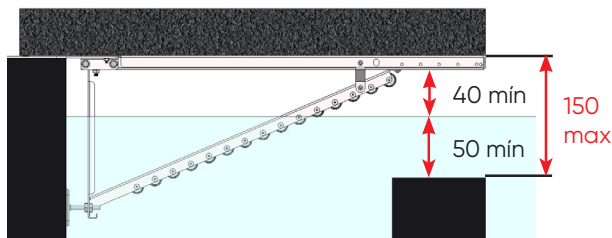
 **3 hours**

INFORMATION

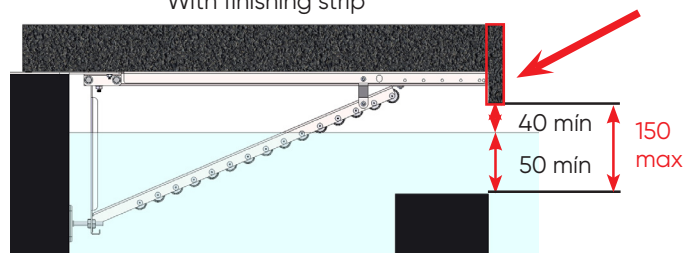
TO COMPLY WITH NF P 90-308 STANDARD

▶ PLACEMENT

Without finishing strip



With finishing strip



▶ INFORMATION

The installation of cladding that does not comply with our recommendations below automatically renders the entire installation non-compliant with standard NF P 90-308.

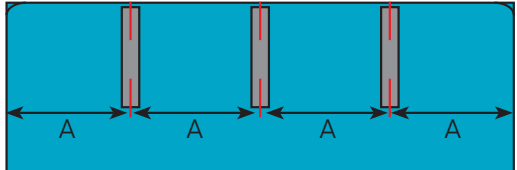
DEL recommends that the installer ensures that:

- The materials used must have a minimum service life of three years.
- To prevent corrosion risks, all fasteners must be made of A4 stainless steel.
- There must be no openings between 0.7 and 1.2 cm, nor any openings greater than 8 cm.
- If not fixed (removal requiring a tool) to the pool structure or brackets, each cladding element must weigh at least 11 kg per element.
- For wooden cladding, the wood must be class 4. (Natural wood such as Ipé, Doussié, Merbau, Moabi, Padouk, Robinia, or treated wood such as Scots pine or maritime pine.)

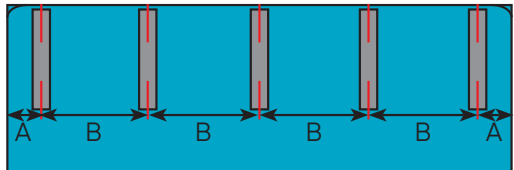
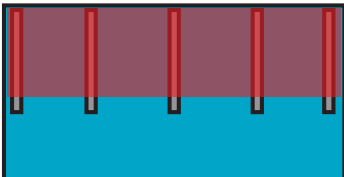
INSTALLATION

POSITIONING

Installation instructions	Poids de l'habillage	
		Up to 50 kg/m ²
Cladding supported by masonry	Even distribution of brackets	
	A = 1 m maximum	A = 50 cm maximum
Casing supported solely by brackets	Up to 50 kg/m ²	From 50 to 100 kg/m ²
	A = closest to the edge or no more than 10 cm away	
	B = 1 m maximum	B = 50 cm maximum



Casing supported solely by brackets



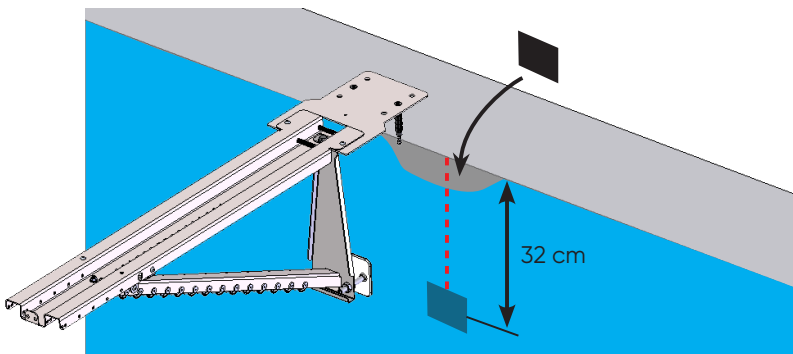
INSTALLATION

INSTALLATION OF THE SEAL AND FASTENING OF THE FLUSH-MOUNTED BASE PLATE

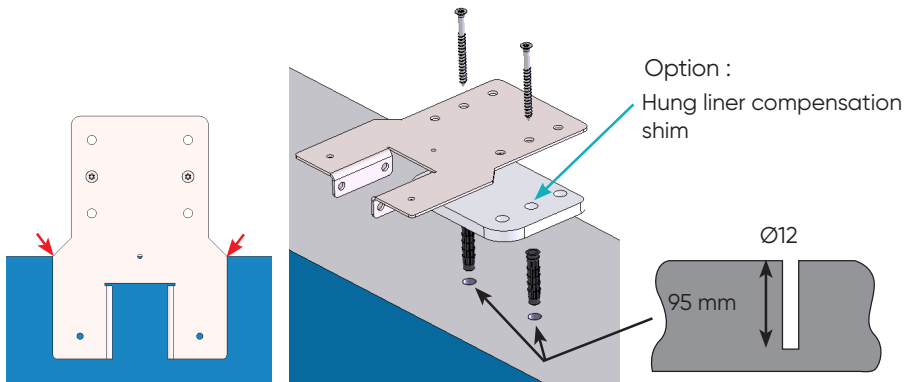


 T25	Screwdriver
	Rotary hammer drill
 Ø12	Concrete drill bit

▶ INSTALLATION OF THE SEAL

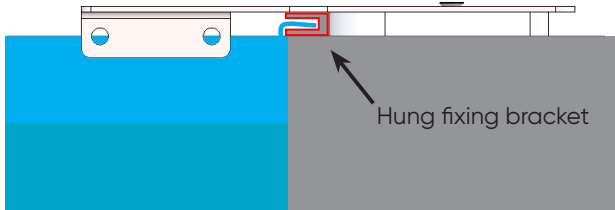


▶ FASTENING OF THE FLUSH-MOUNTED BASE PLATE




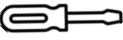
INSTALLATION




OPTION: HUNG SAVER SPACER

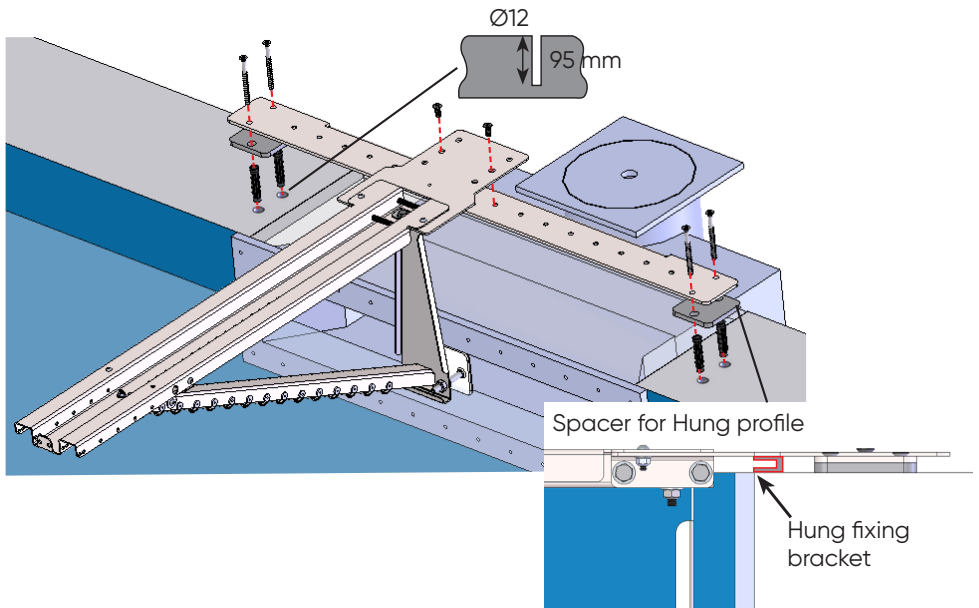


OPTION: SKIMMER PROTECTION



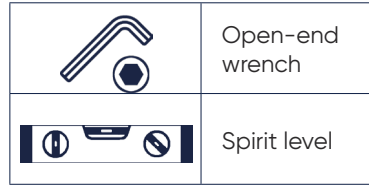
	Hammer
 T25	Screwdriver

	Allen key
	Rotary hammer drill
 Ø12	Concrete drill bit

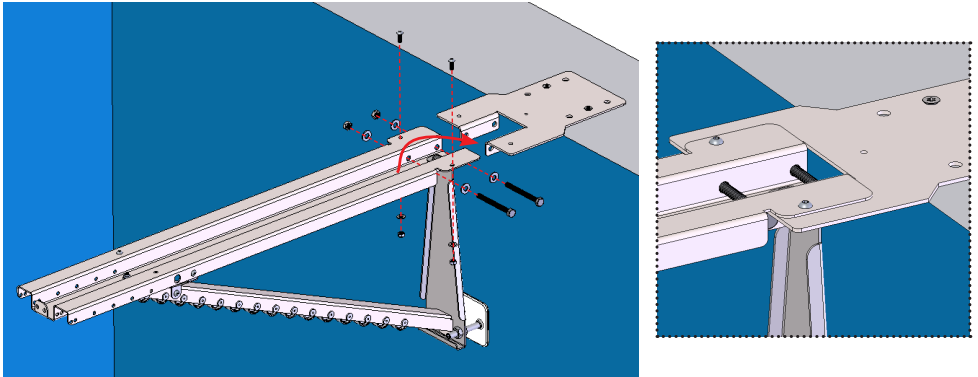


INSTALLATION

POSITIONING OF THE BRACKET

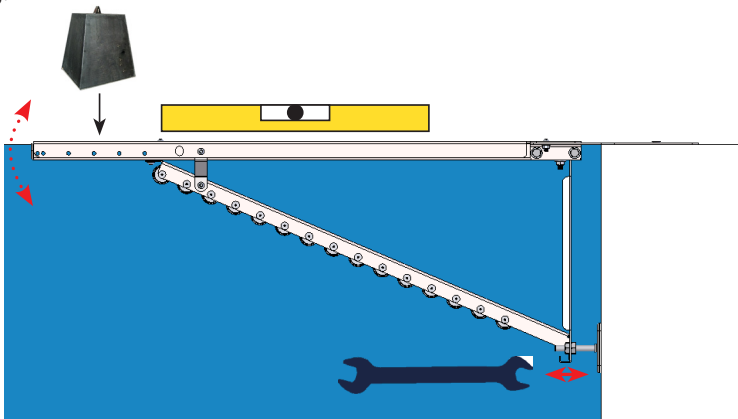


ASSEMBLY



LEVELLING

Remember to adjust the levelling of the bracket taking into account the weight of the cladding.

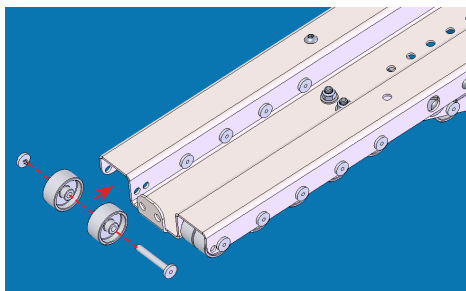
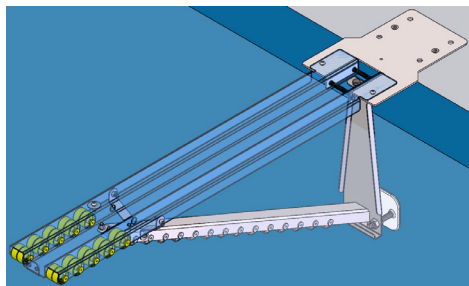


INSTALLATION

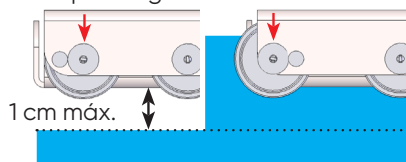


	Allen key
 N°10 - 13	Open-end wrench

OPTION: HIGH WATER LEVEL

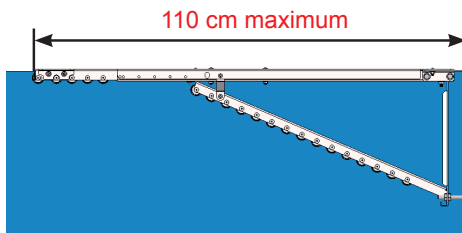
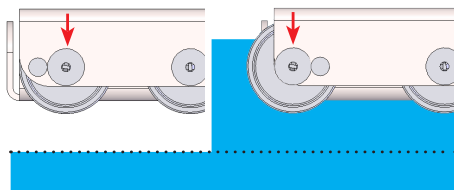


Depending on the water level

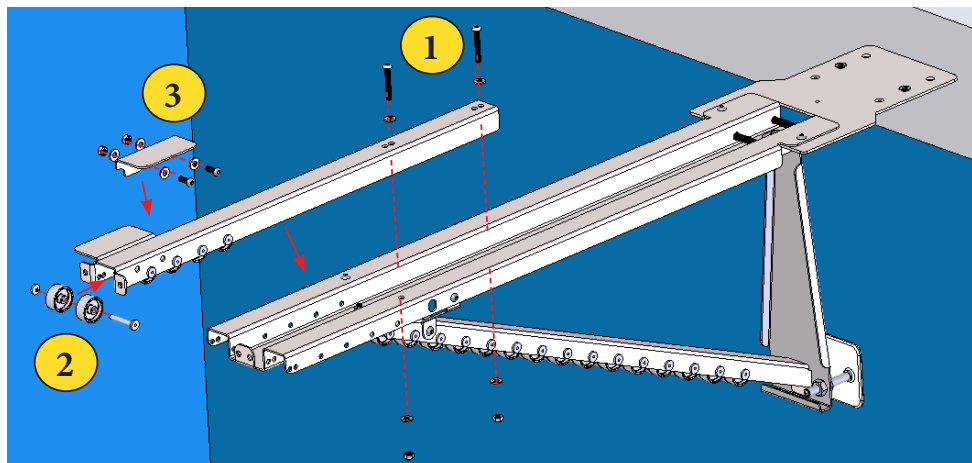


OPTION: TELESCOPIC EXTENSION

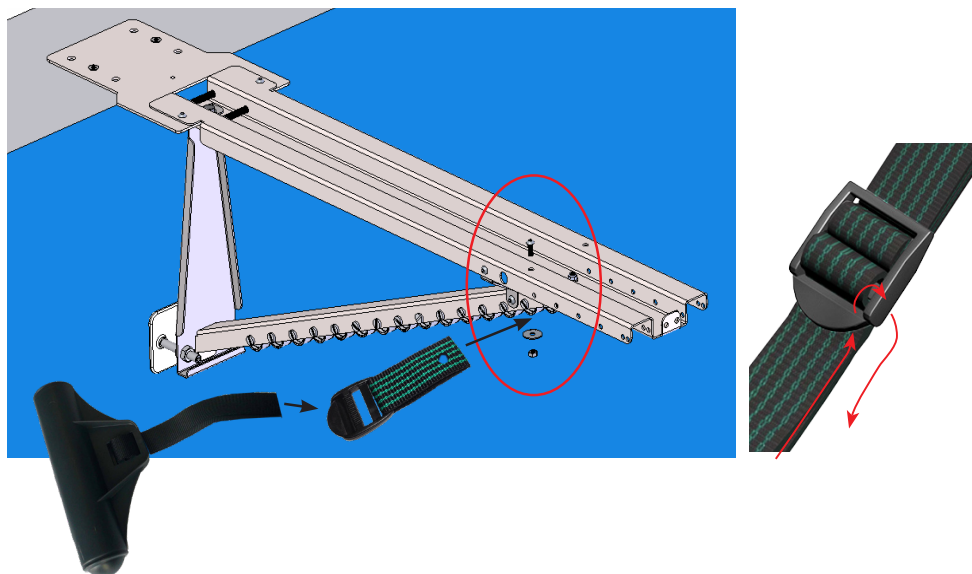
Depending on the water level



INSTALLATION

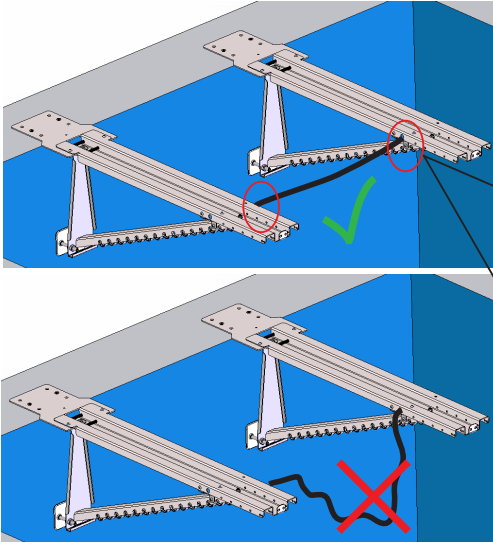


FASTENING OF THE STANDARD COUNTERWEIGHT



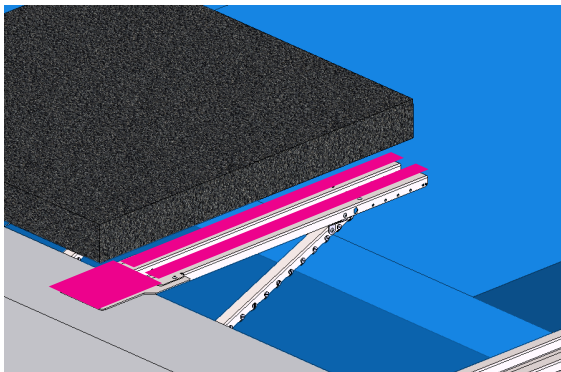
INSTALLATION

FASTENING OF THE ELASTIC CORD FOR THE STAIR COUNTERWEIGHT



ADVICE

When using a cladding material other than wood, DEL recommends placing a flat gasket between the cladding and the brackets to prevent possible creaking or squeaking.



SAFETY ADVICE

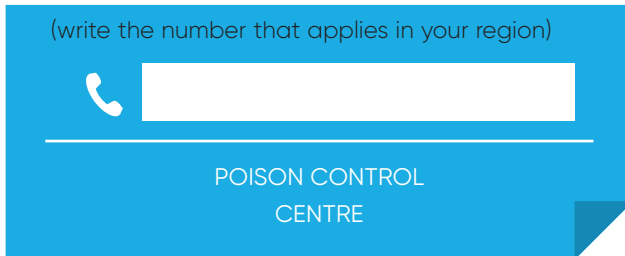
We recommend that you carefully read the recommendations below.

WARNING

- **Swimming pools can represent a serious danger for your children. Drowning can happen very quickly.**
Children who are close to a swimming pool need to be watched constantly and actively, even if they know how to swim.
- **The physical presence of an adult is absolutely essential whenever the pool is open.**



- Learn lifesaving skills.
- Memorise the telephone numbers for the emergency services and ensure that they are displayed close to the pool.

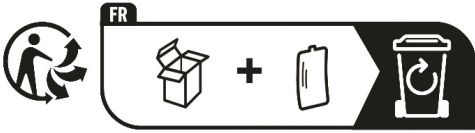


SAFETY ADVICE

- **Respect the water heights defined by the manufacturer.**
- **Children must not play with the device.**
- **A child can drown in less than 3 minutes; no type of safety device can ever replace the supervision and vigilance of a responsible adult.**

RECYCLING

PACKAGING



Dispose of the packaging in line with current rules and regulations.

END OF LIFECYCLE



- Do not put your scrapped equipment or used batteries in with unsorted household waste.
- You are responsible for disposing of all of your waste, in particular electrical and electronic equipment by taking it to a collection point where recycling and valorisation are carried out.
- Certain products potentially contain substances that are dangerous for the environment, and you need to ensure that these are eliminated or neutralised.
- Make sure that you are aware of all existing recovery and collection systems.



discard the manual in line with the current regulations.



Adresses sur quefairedemesdechets.fr

NOTE

NOTE

NOTE

DEL SAS
ZA LA BASSE CROIX ROUGE
35530 BRÉCÉ - FRANCE

☎ +33 (0)9 70 72 5000 / INFO.FR@CF.GROUP

STAMP

A brand by CF group



ORIGINAL INSTRUCTIONS

/04.2026

A-DOTE03625.L1