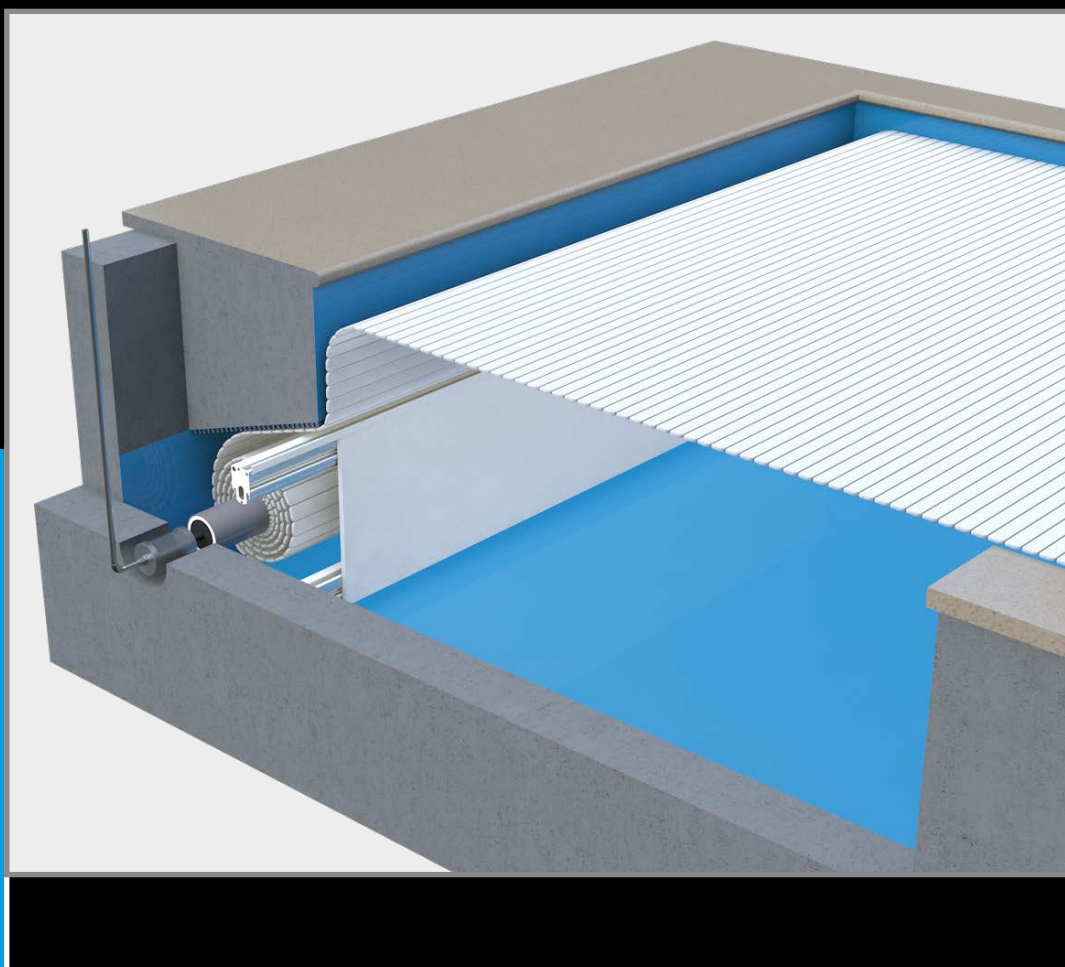


AUTOMATIC COVER

# Rollfit



**TECHNICAL INSTRUCTIONS** Installation / Use / Cleaning / Maintenance / Safety advice



**NOTICE TO BE GIVEN TO THE USER AFTER INSTALLATION IS COMPLETE  
PLEASE READ CAREFULLY AND KEEP IN A SAFE PLACE.**

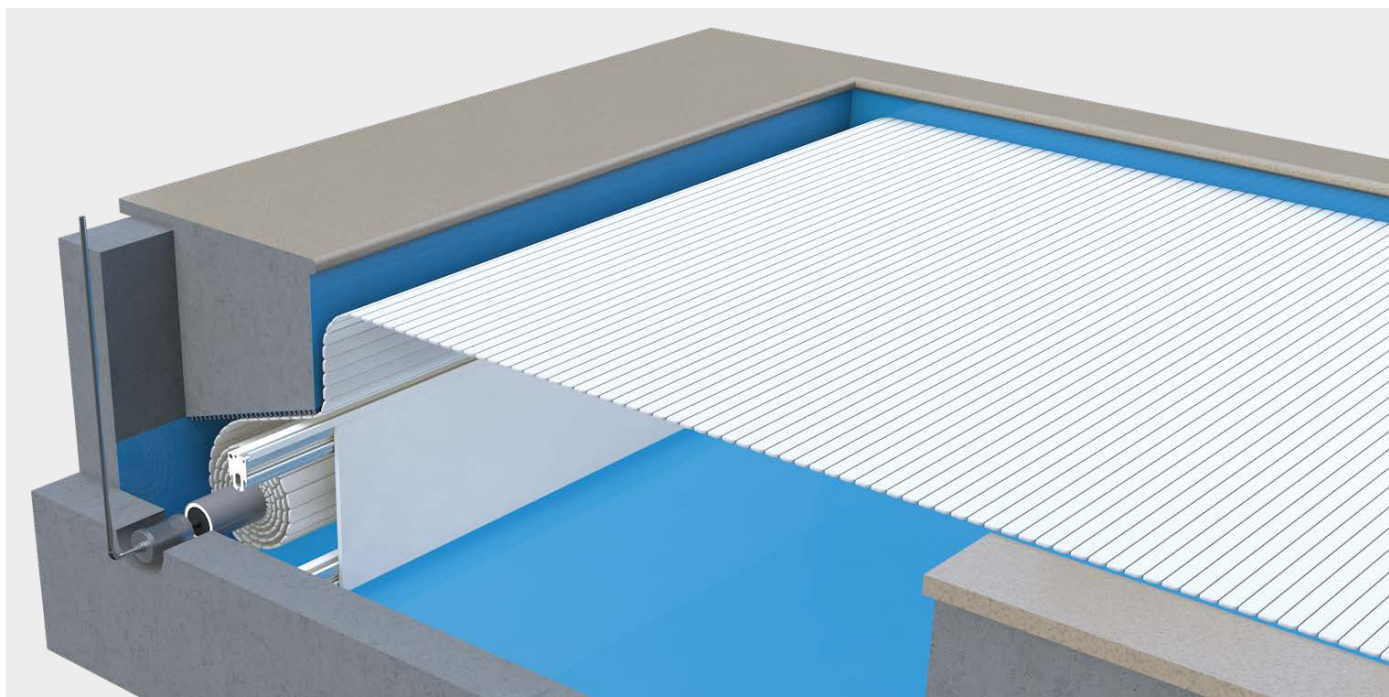
**INFORMATION**

For concrete, cellular concrete, full or hollow masonry pools with a waterproofing reinforced membrane or tiles.

This automatic in-ground cover is composed of mechanics with a motor in a dry pit or in-ground and decking composed of several 1 x 0.75 elements fixed onto beams.

- The mains supply comes from the electric control panel in the technical room  
*(Boxes compliant with electric standards: C 15-100 / NF EN 60335 / NF EN 61000-6-3 / NF EN 55014-1)*
- The automatic stops are adjusted on the motor or on the control panel (depends on the model)
- Opening and closure are controlled using commands located in a spot with a view over the pool.
- The cover is made of watertight articulated slats that float on the surface of the water.

When the pool is closed, the installation is secured using safety locking kits located along the widths of the pool.



**Unless otherwise specified by the manufacturer, immersion alarms are not compatible with DEL automatic covers.**

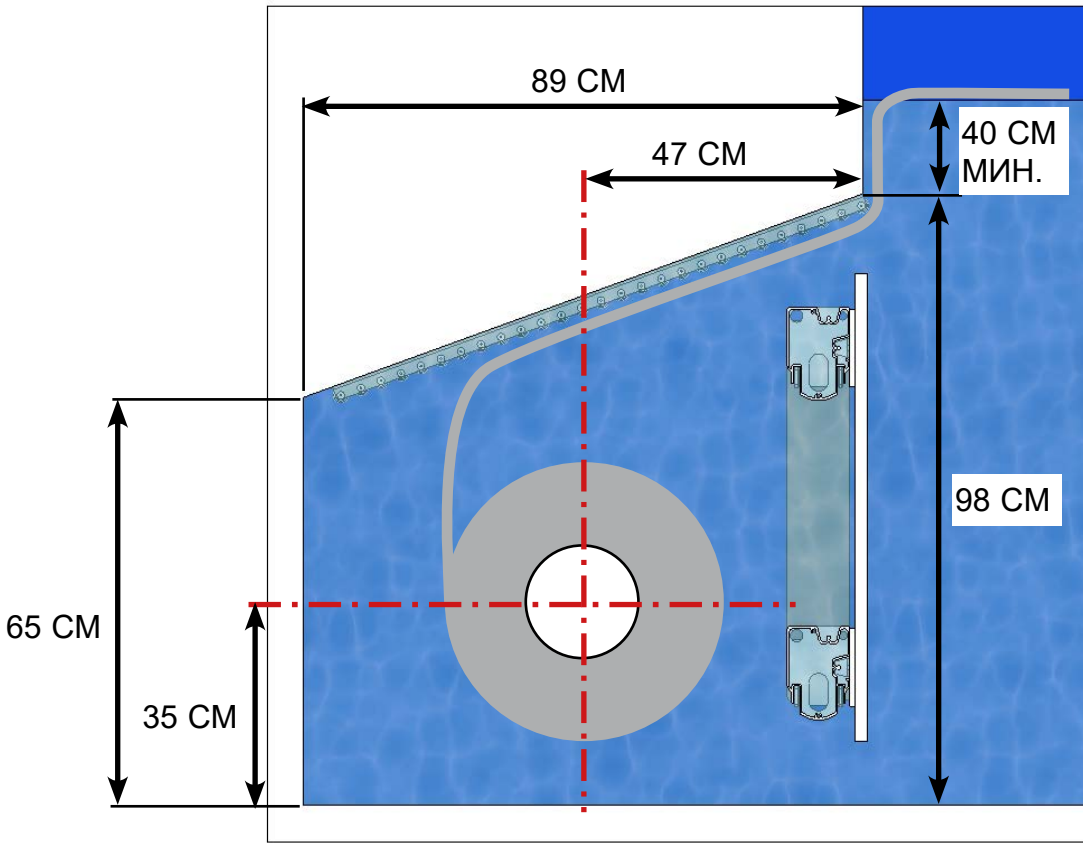
**TOOLS REQUIRED FOR ASSEMBLY (INSTALLATION – 2 PERSONS)**



**COVER NICHE SIZE**

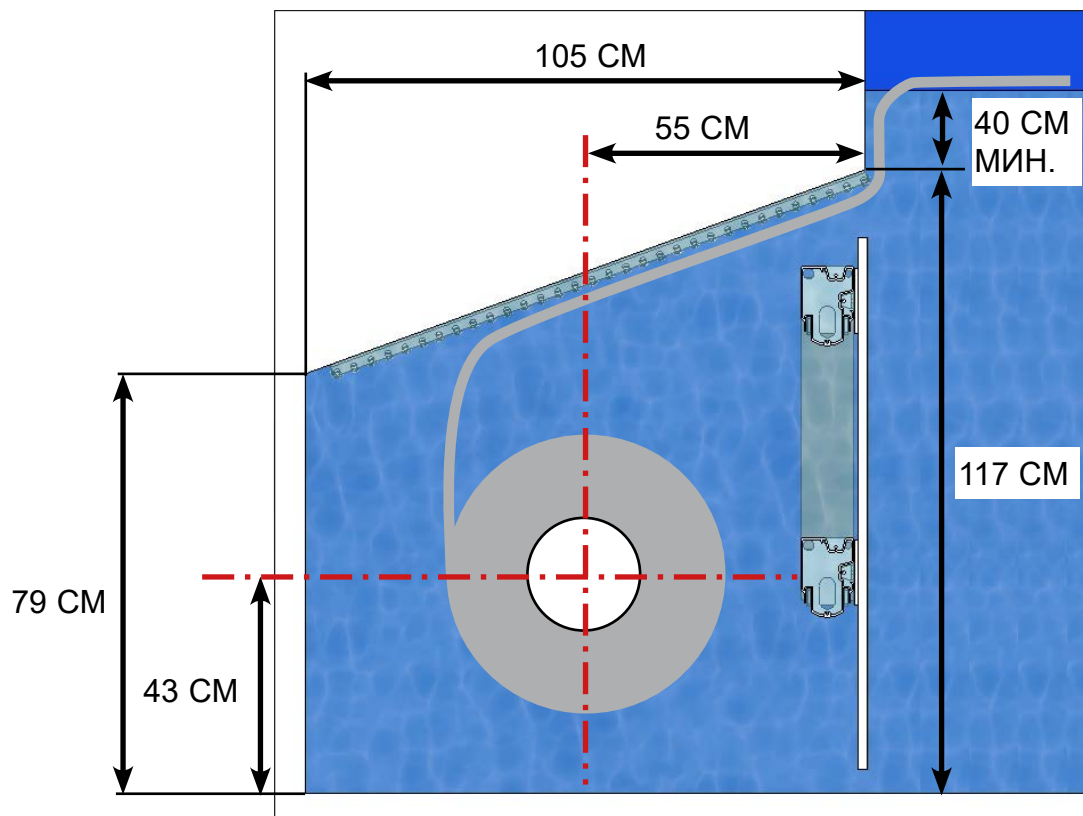
**1**

**POOL:**  
**MAX. WIDTH: 6 M**  
**MAX. LENGTH: 15 M**



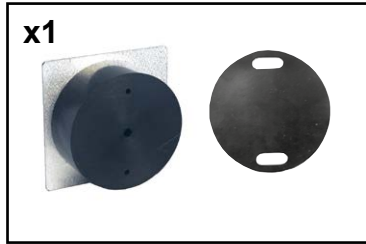
**2**

**POOL:**  
**MAX. WIDTH: 6 M**  
**MAX. LENGTH: 25 M**

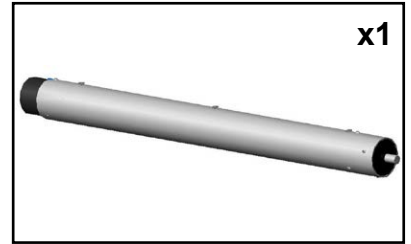


### Version - dry pit motorisation

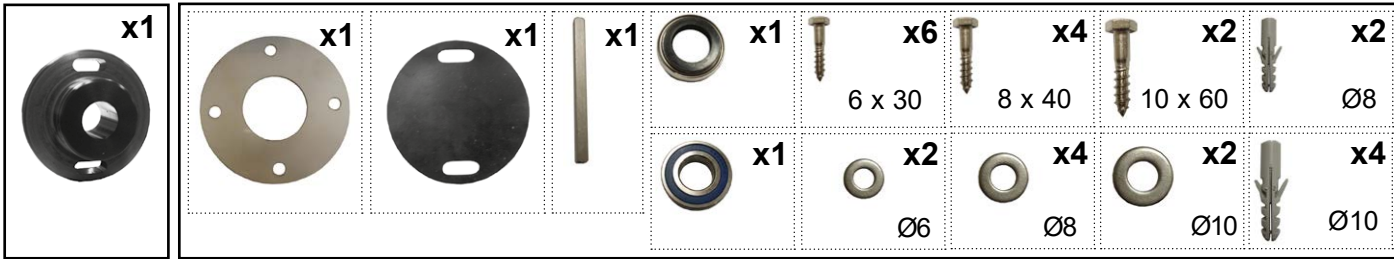
#### Wall units



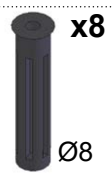
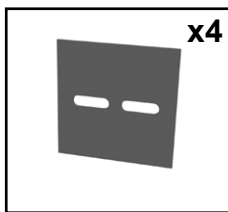
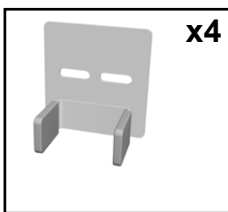
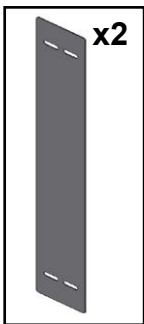
#### Mechanism



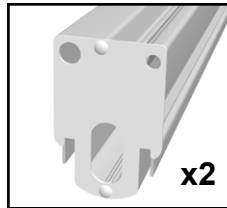
#### Mechanical fixture bag



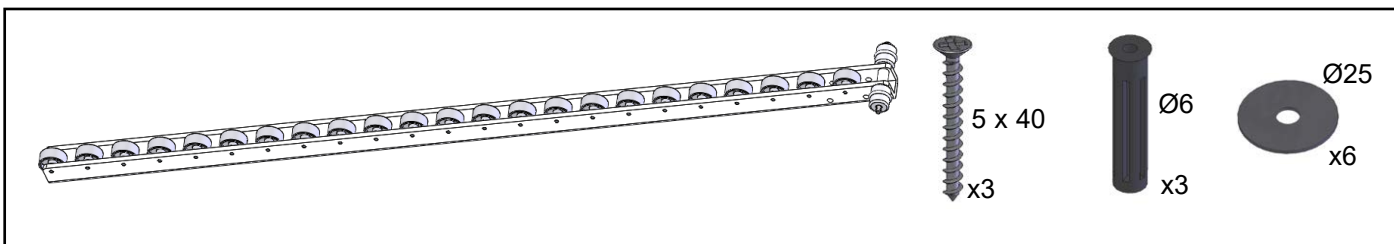
#### Beam support



#### Beam



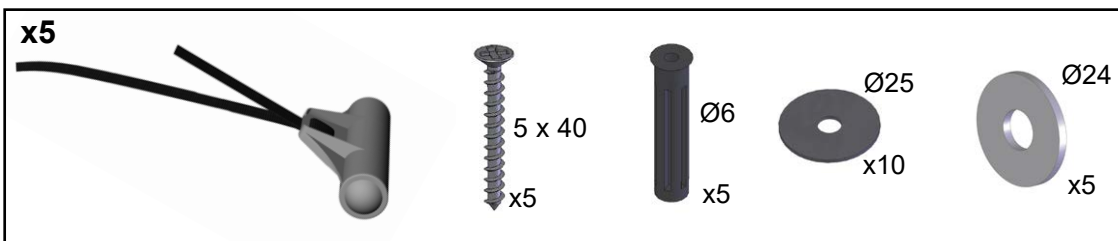
#### Rail



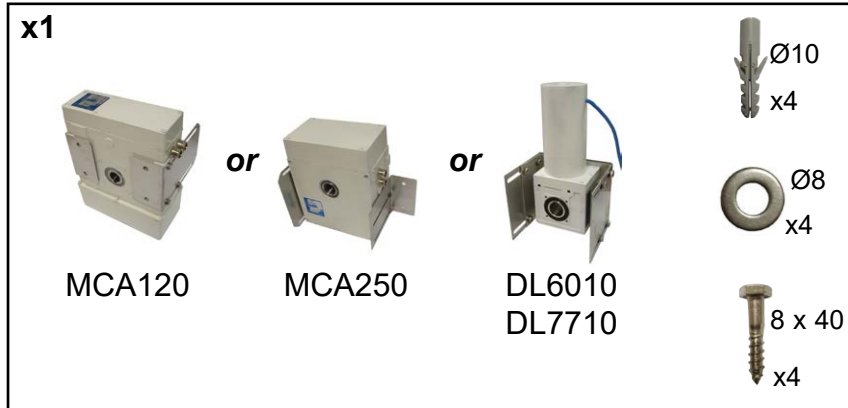
#### OPTION



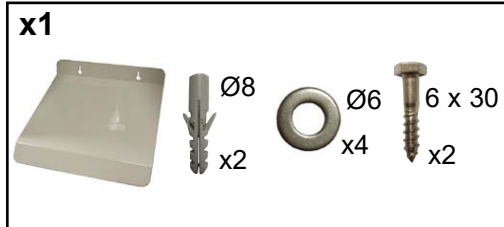
#### Counter-weights



## Motor with support



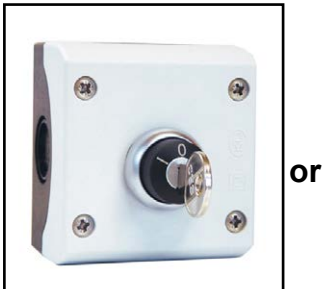
## Motor protection cover



## Electric box



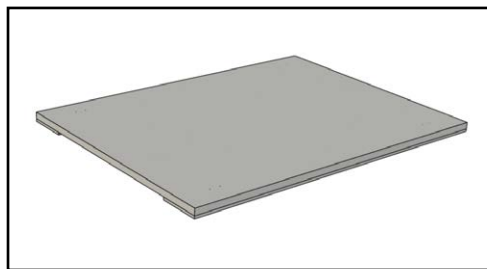
## Key switch



## Wi-Key



## Decking



## Slats



## Safety locking kit



## PACKING LIST



for ex. for a 5 x 10 m pool with  $\varnothing 3$  m Roman step unit

Wall units:

1 box of 0.30 x 0.20 x 0.20 – 5kg

Mechanism (tube):

1 box of 5 x 0.25m – 40 kg

The installation kit + motor + box + counter-weights + safety locking kit:

1 box of 0.80 x 0.45 x 0.25 – 45 kg

Les rails :

1 colis de 1.10 x 0.15 x 0.15 m -- 5 Kg

Beam support:

1 box of 0.75 x 0.25 x 0.15 – 4kg

The beams:

2 boxes of 5.1 x 0.17 x 0.12 – 60 kg

Decking:

1 pallet of 1.20 x 1 x 0.40- 40kg

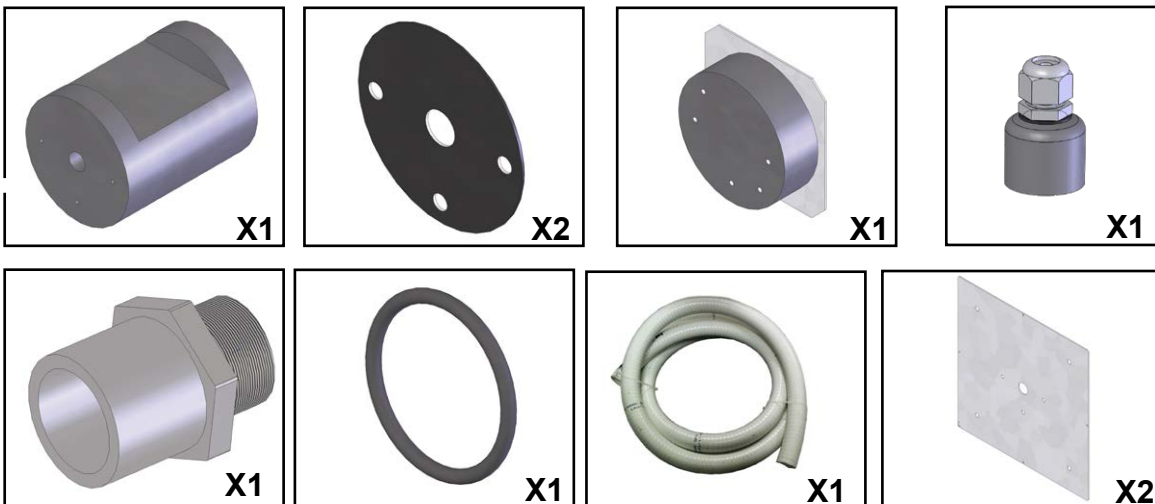
The cover:

5 boxes of 5.1 x 0.20 x 0.25 – 250 kg

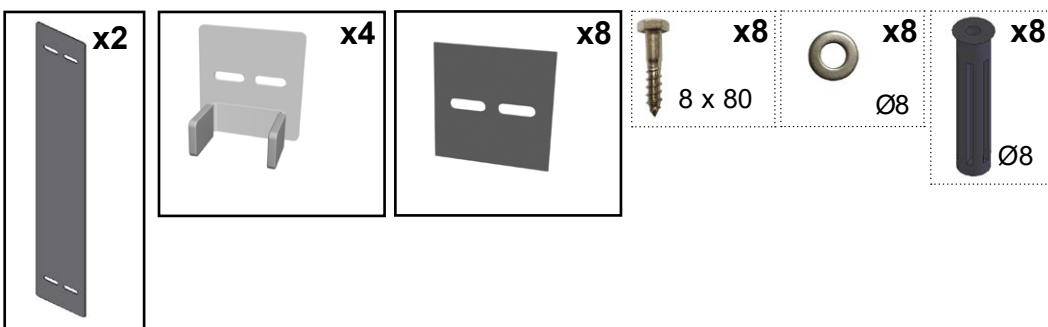
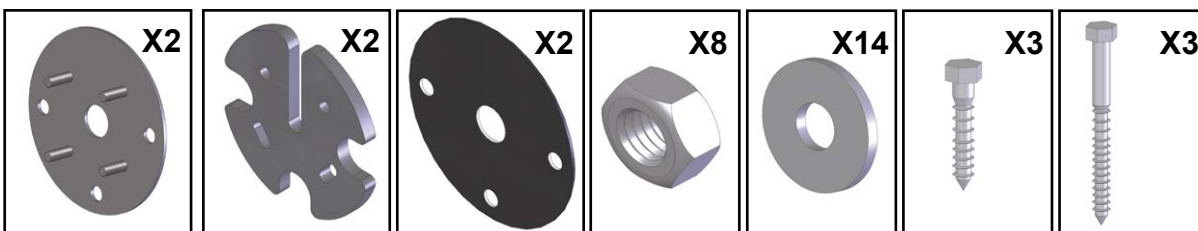
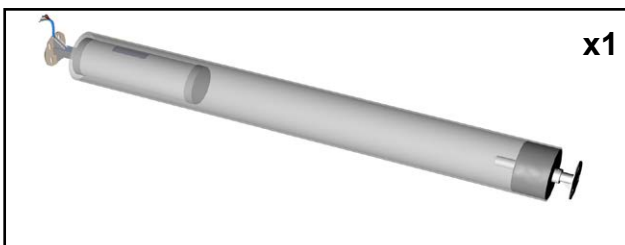
**Total weight: 449 Kg**

### Version - tubular motor

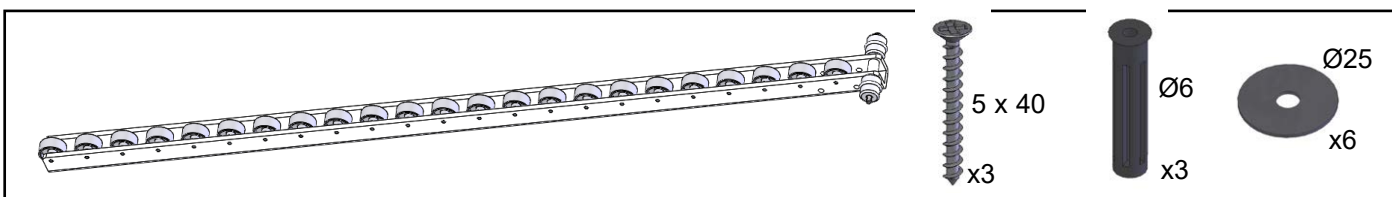
#### Wall units



#### Mechanism



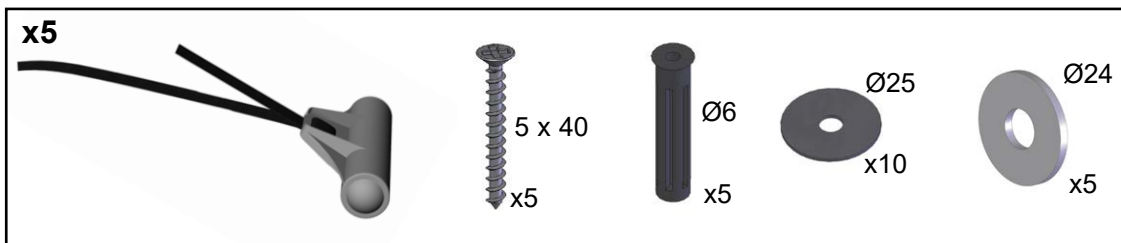
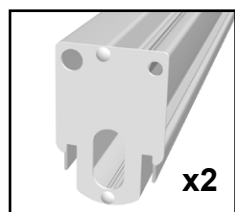
#### Rail



#### OPTION



## Counter-weights



## Electric box



## Key switch

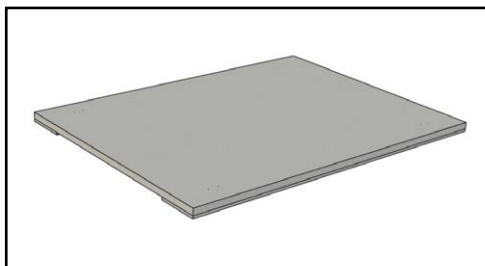


## Wi-Key



or

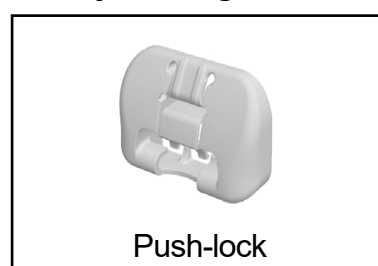
## Decking



## Slats



## Safety locking kit



**for ex. for a 5 x 10 m pool with Ø3 m Roman step unit**

Wall units:

1 box of 0.30 x 0.20 x 0.20 – 5kg

Mechanism (tube):

1 box of 5 x 0.25m – 40 kg

The installation kit + motor + box + counter-weights + safety locking kit:

1 box of 0.80 x 0.45 x 0.25 – 45 kg

Les rails :

1 colis de 1.10 x 0.15 x 0.15 m -- 5 Kg

Beam support:

1 box of 0.75 x 0.25 x 0.15 – 4kg

The beams:

2 boxes of 5.1 x 0.17 x 0.12 – 60 kg

Decking:

1 pallet of 1.20 x 1 x 0.40- 40kg

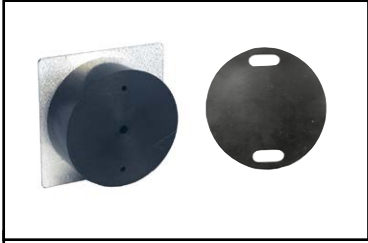
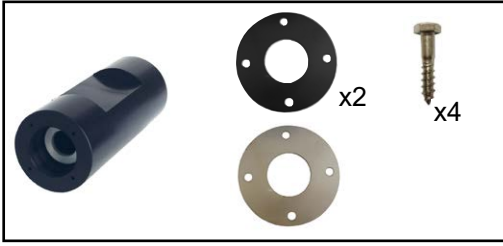
The cover:

5 boxes of 5.1 x 0.20 x 0.25 – 250 kg

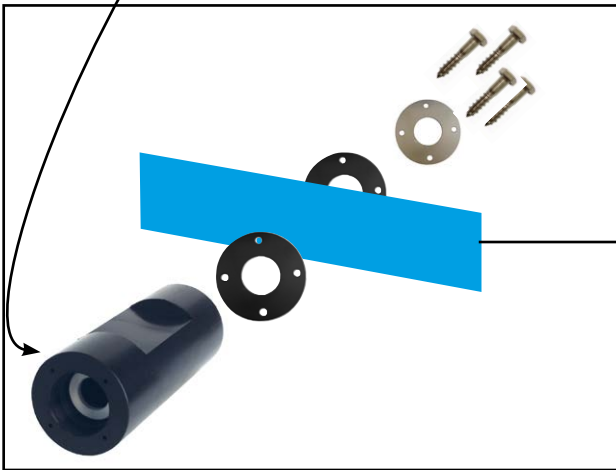
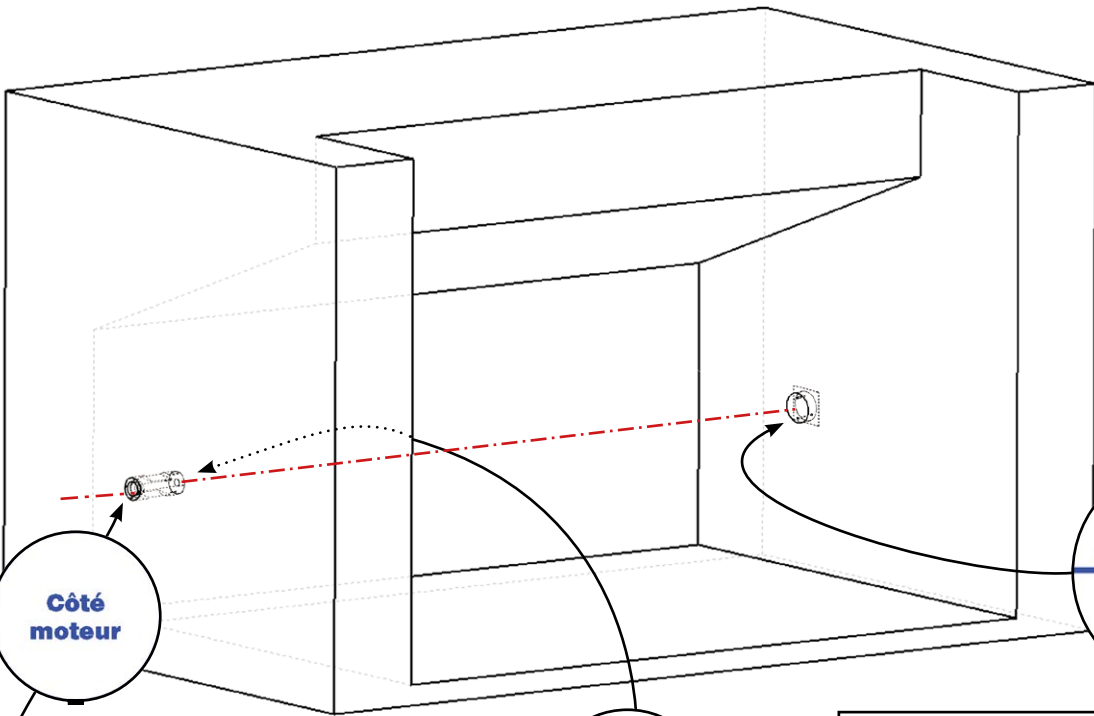
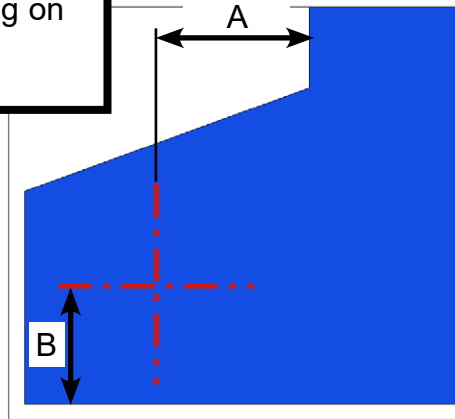
**Total weight: 449 Kg**



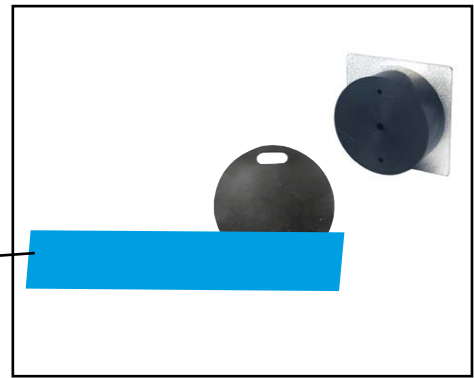
Version - dry pit motorisation



A and B depending on the pit size (see page 4)

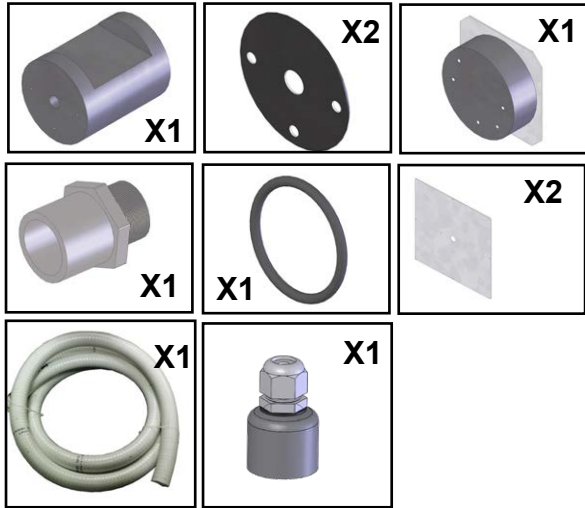


Côté piscine

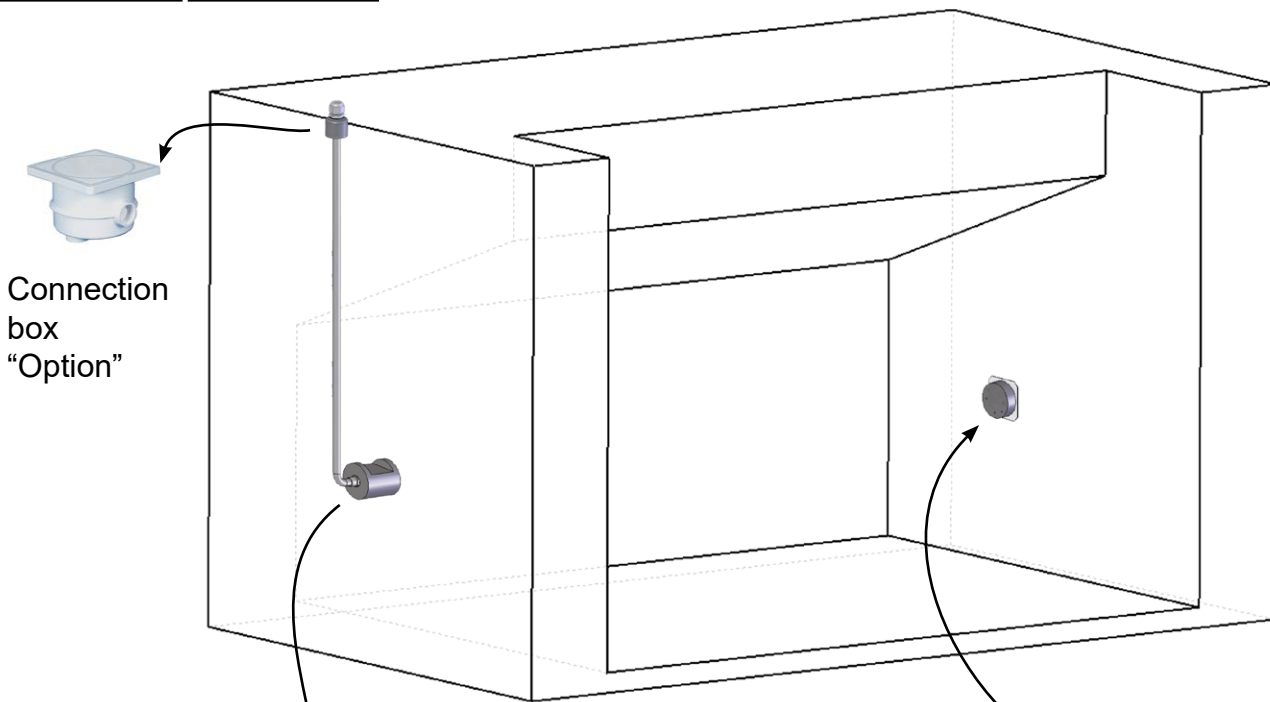
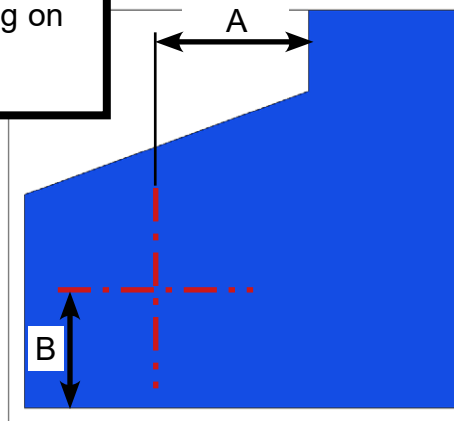




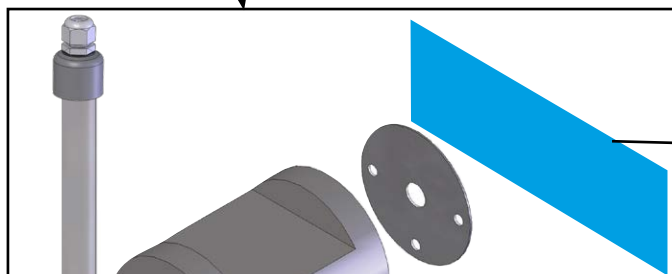
Version - tubular motor



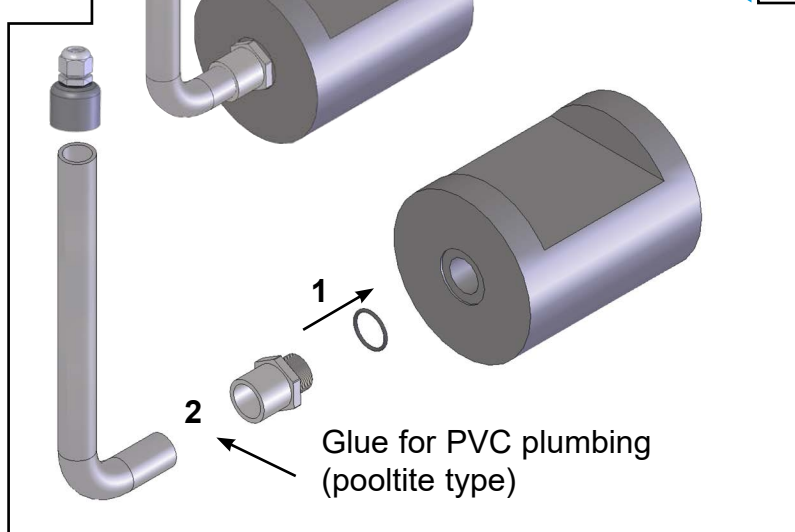
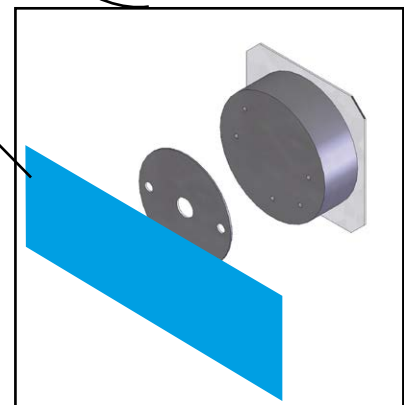
A and B depending on the pit size (see page 4)



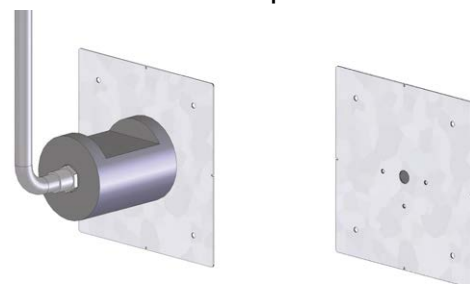
Connection box "Option"



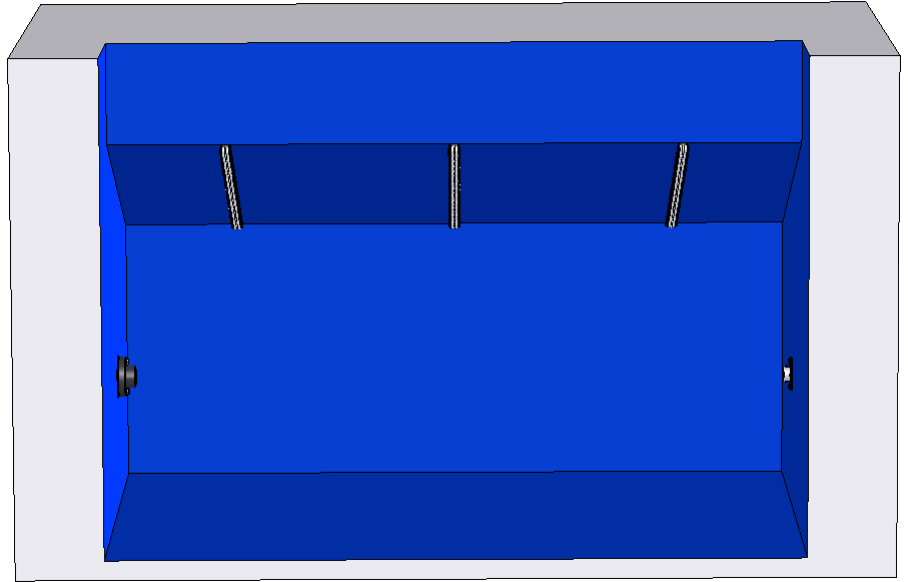
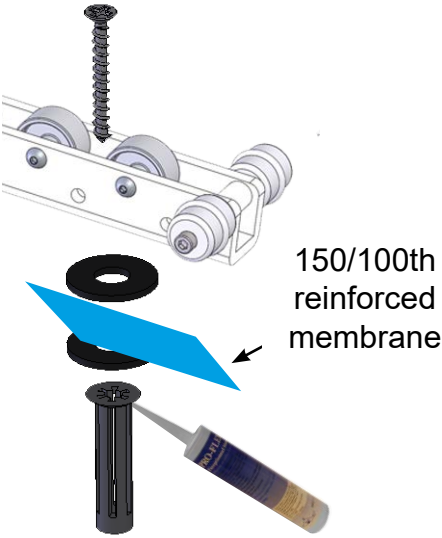
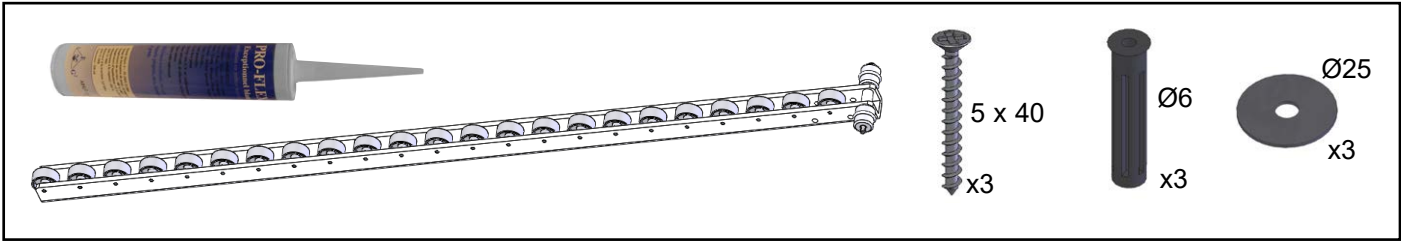
150/100th reinforced membrane



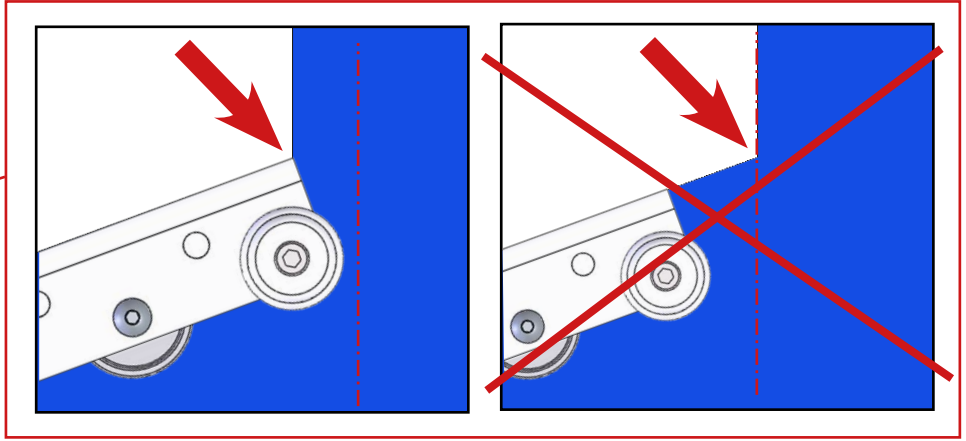
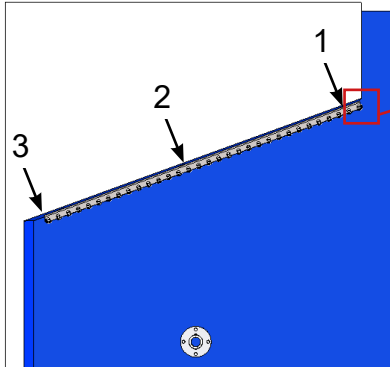
Formwork template



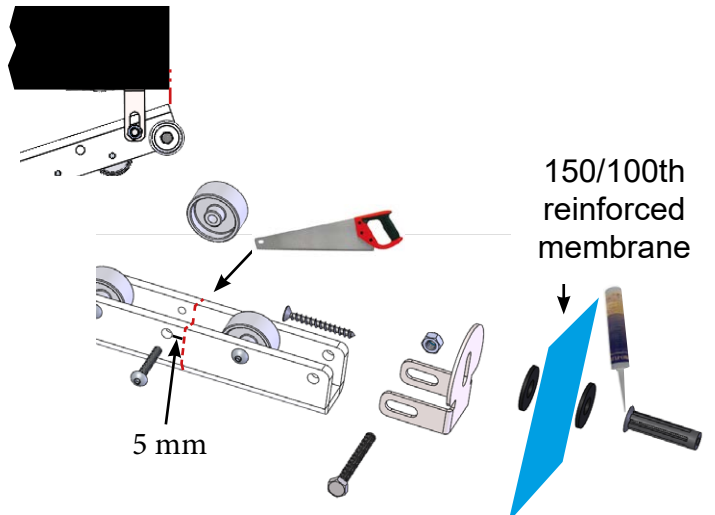
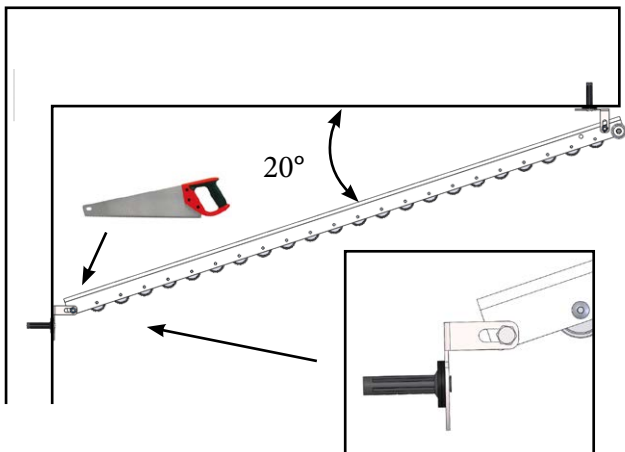
## RAIL INSTALLATION



10

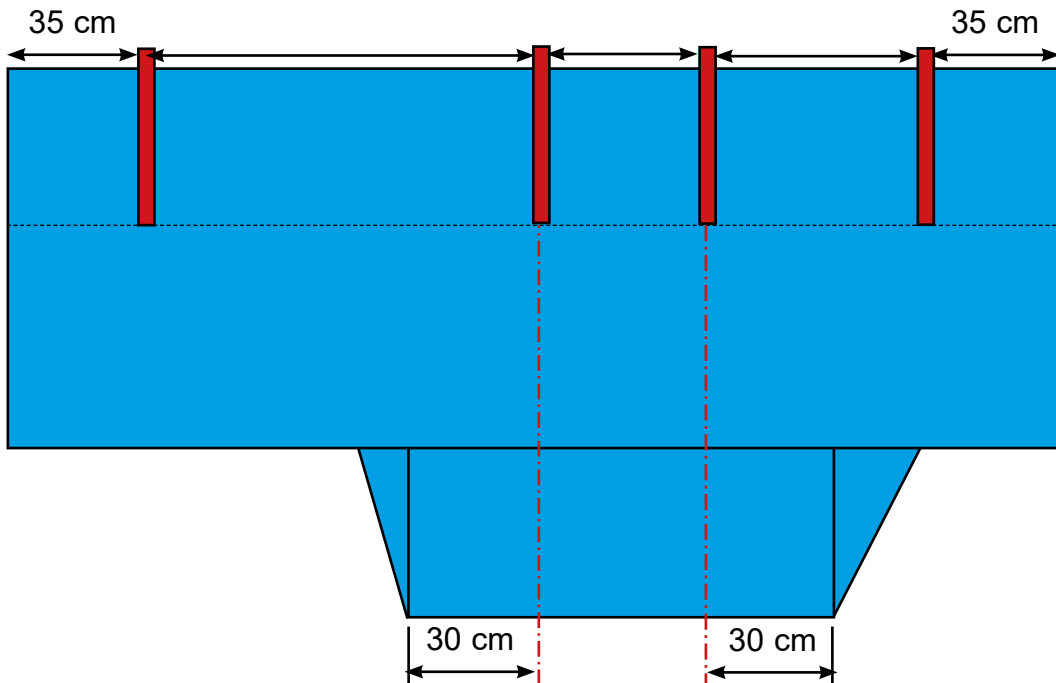
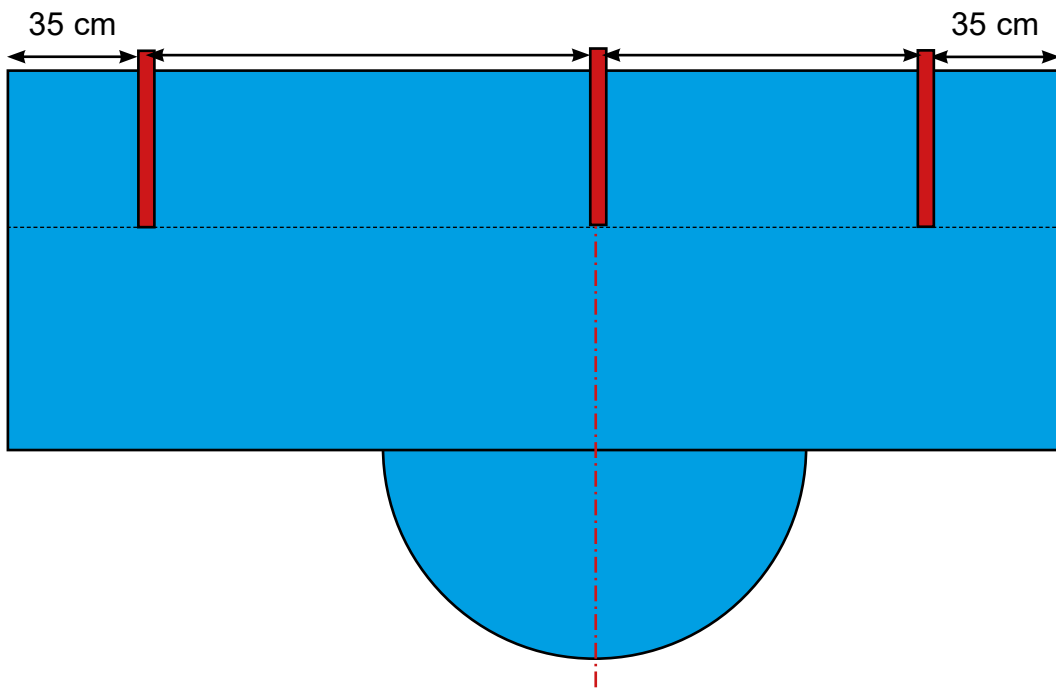
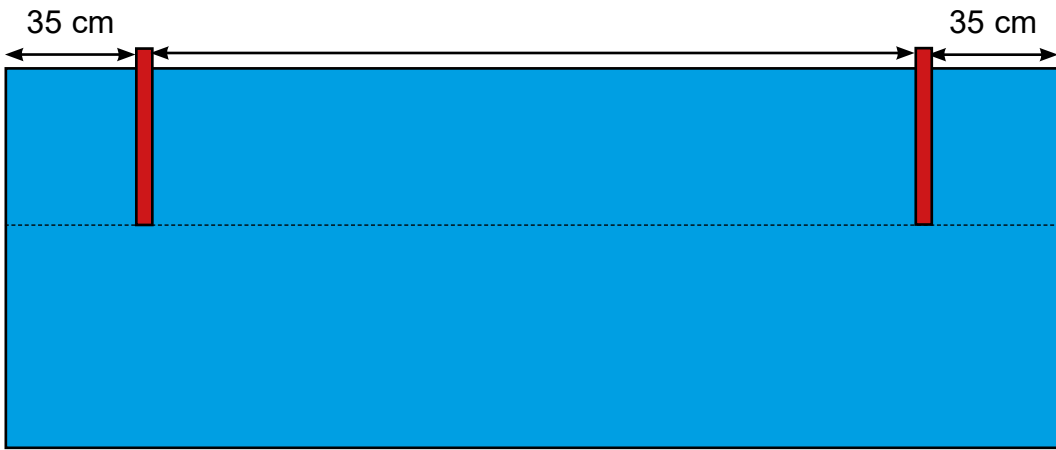


### OPTION



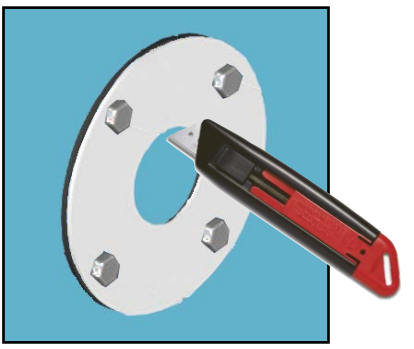
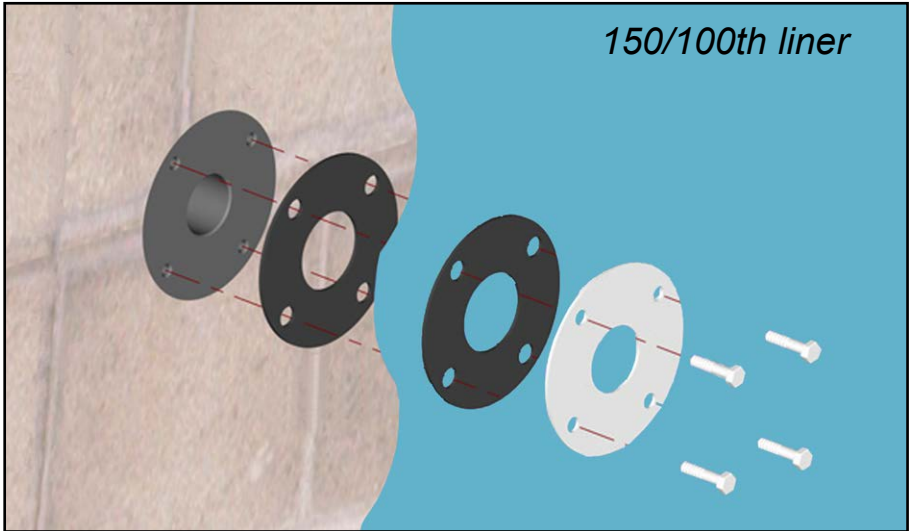
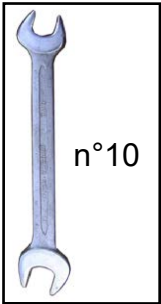
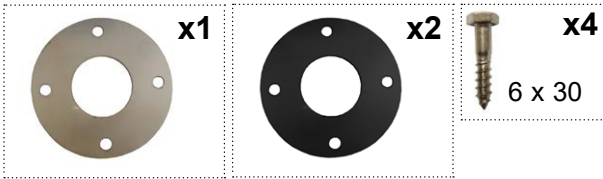
## positioning

х напра max. spacing between 2 rails: 70 cm



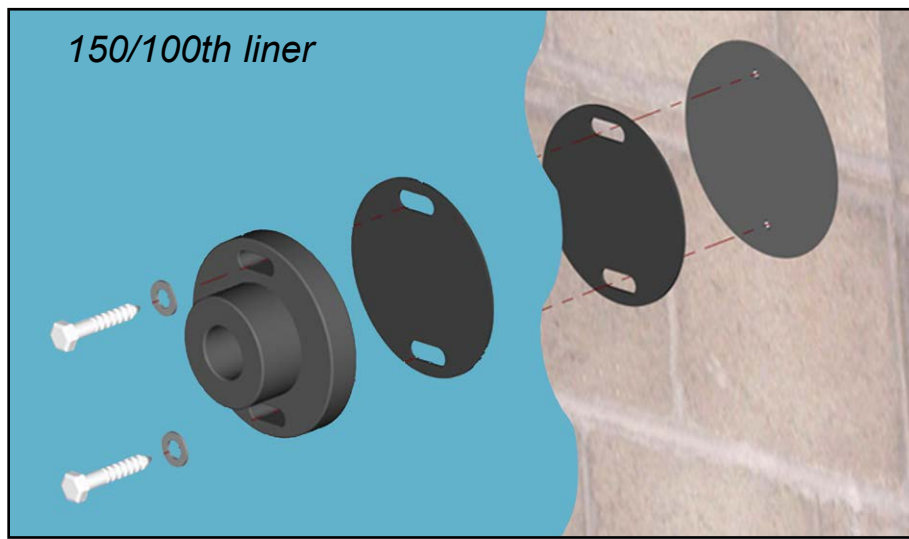
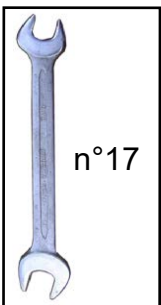
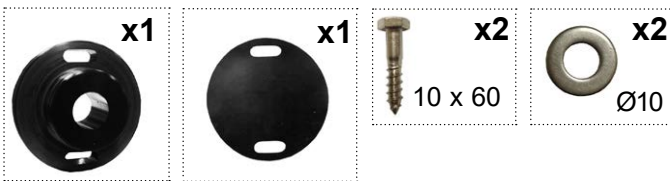
## Roll-inside - for insert mounting - motorisation in a dry pit

### INSTALLATION OF THE FLANGE MOTOR SIDE



- Fill with water (approximately 20cm) before fixing the flange
- Cut the liner in the middle of the flange with a punch

### INSTALLATION OF THE BEARING ON THE FREE SIDE



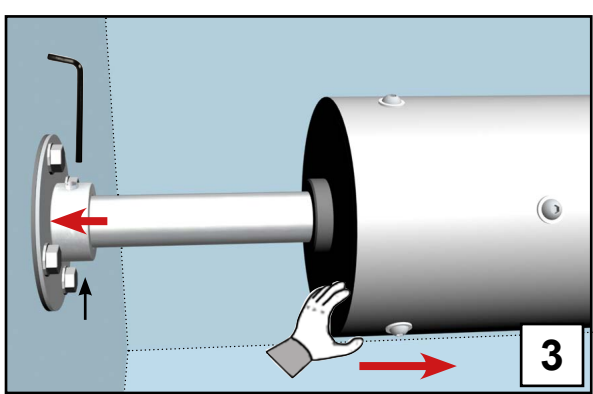
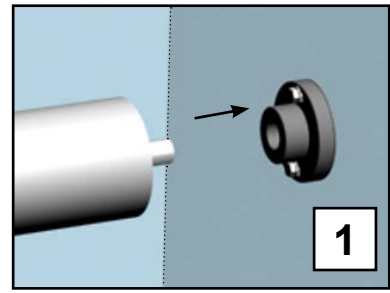
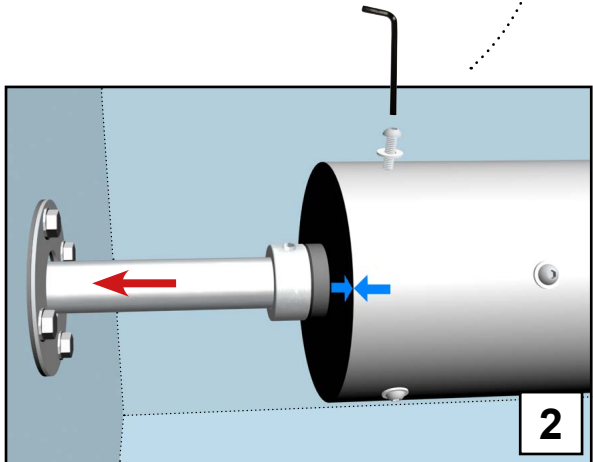
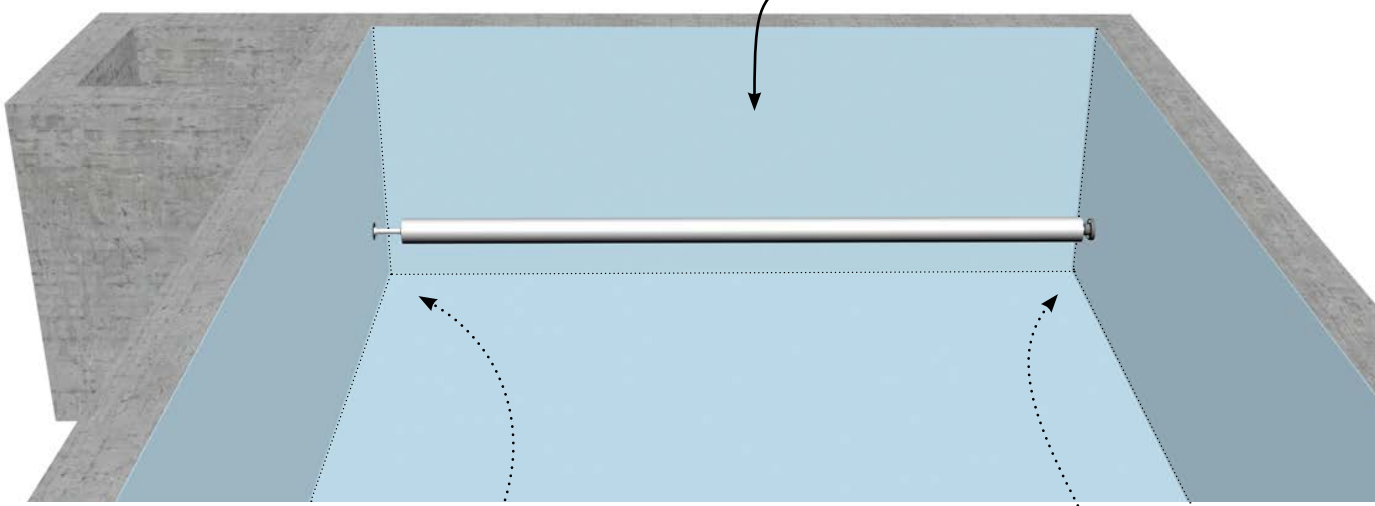
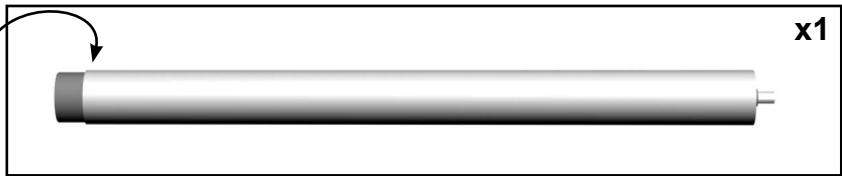
- Fill with water (approximately 20cm) before fixing the bearing
- Cut the liner in the middle of the flange with a punch

# INSTALLING THE MECHANISM

Reverse the tube on the motor side

 x1 6 sides male n°4	 x5 6x30	 x5 PVC Ø6
--	--	--

Bag



## MAKING THE BOX WATERTIGHT ON THE MOTOR SIDE

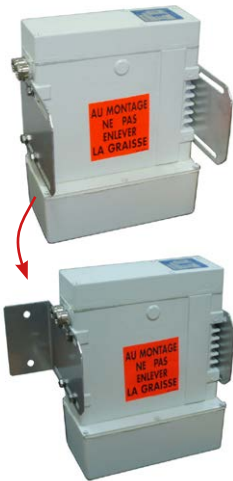


## 14

## GEAR MOTOR INSTALLATION

### Turn the supports

MCA 120



MCA 250



DL6010/7710



### Install the gear motor on the tube

MCA 120



MCA 250



DL6010/7710



### Fixture



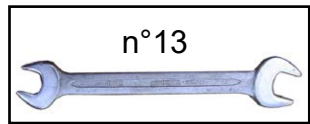
MCA 120



MCA 250



DL6010/7710



### Fit the key

MCA 120



MCA 250



DL6010/\*7710



### Install the motor protection cap



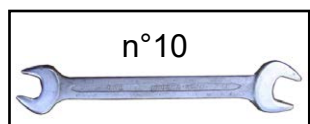
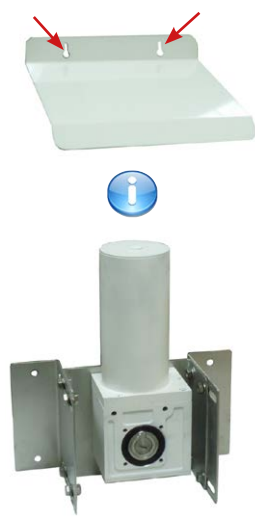
MCA 120




MCA 250



DL6010/7710

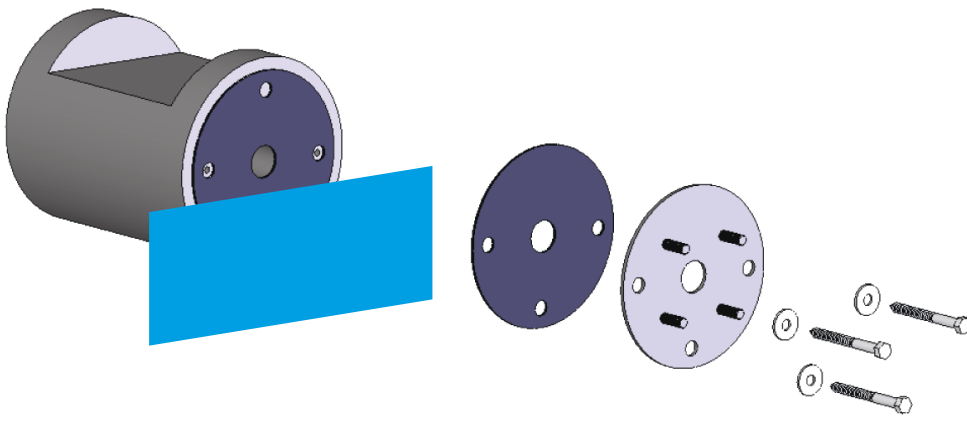
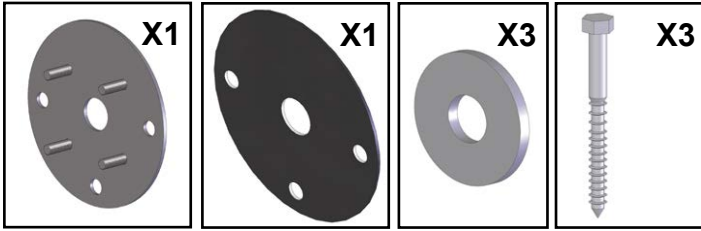


 Option: 6 pin electric plug

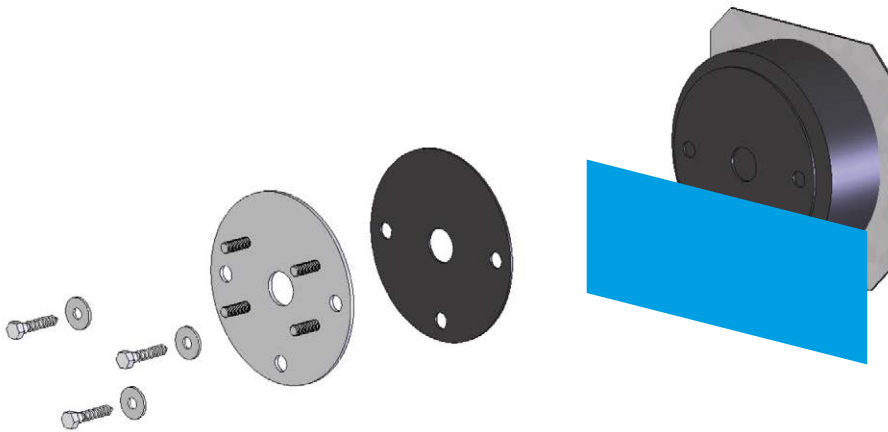
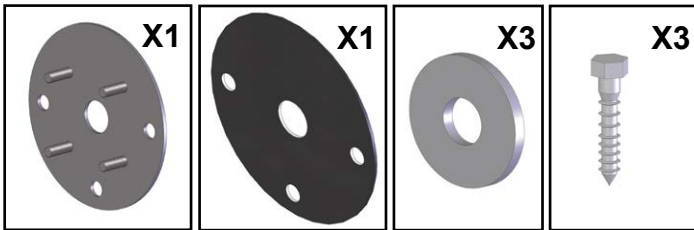
# Roll-inside - for insert mounting - tubular immersed motorisation

## INSTALLING THE MECHANICAL FIXTURE

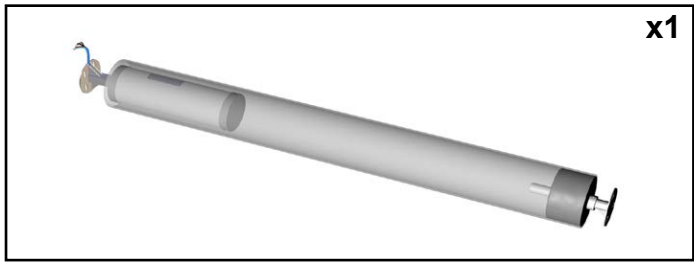
### Motor side



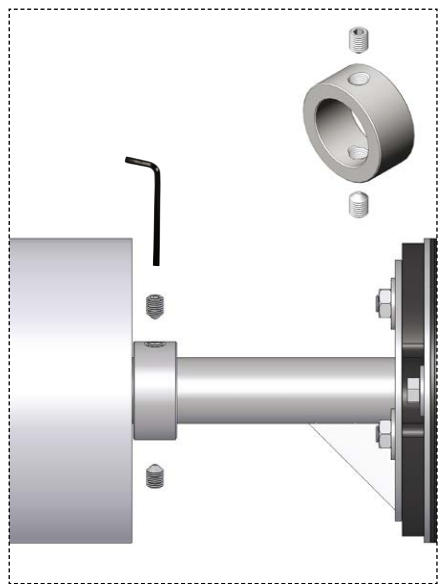
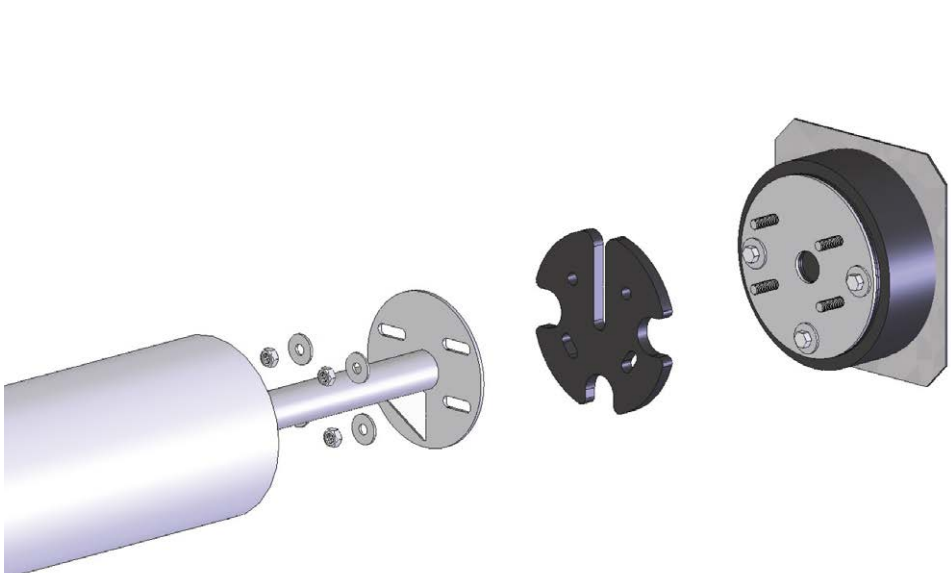
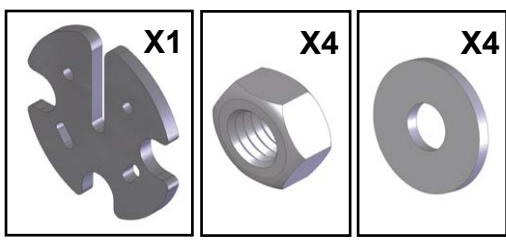
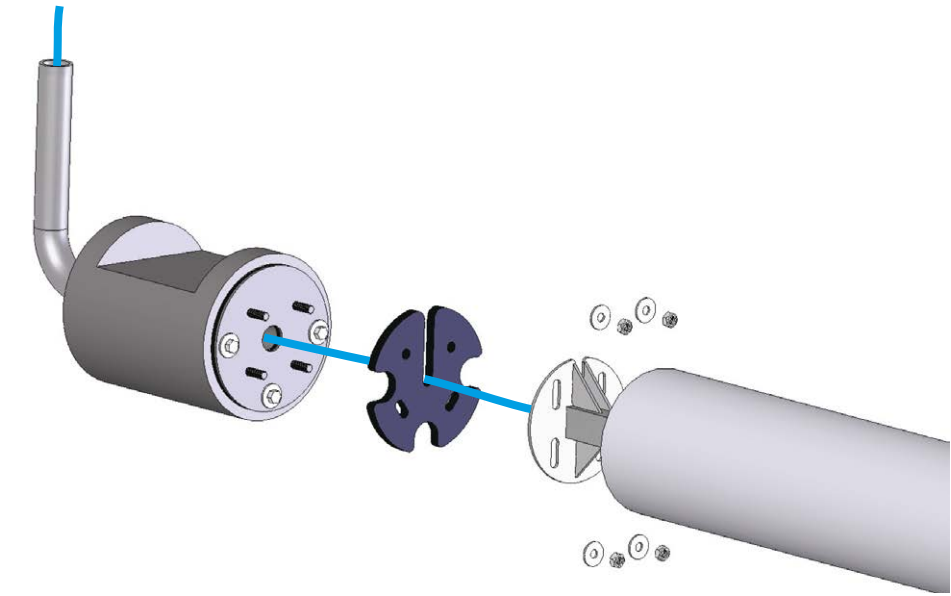
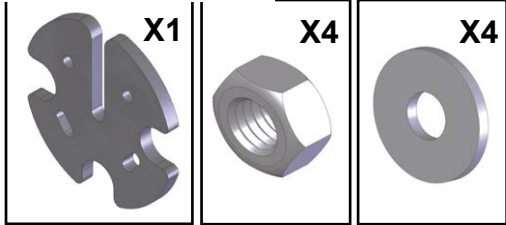
### Free side



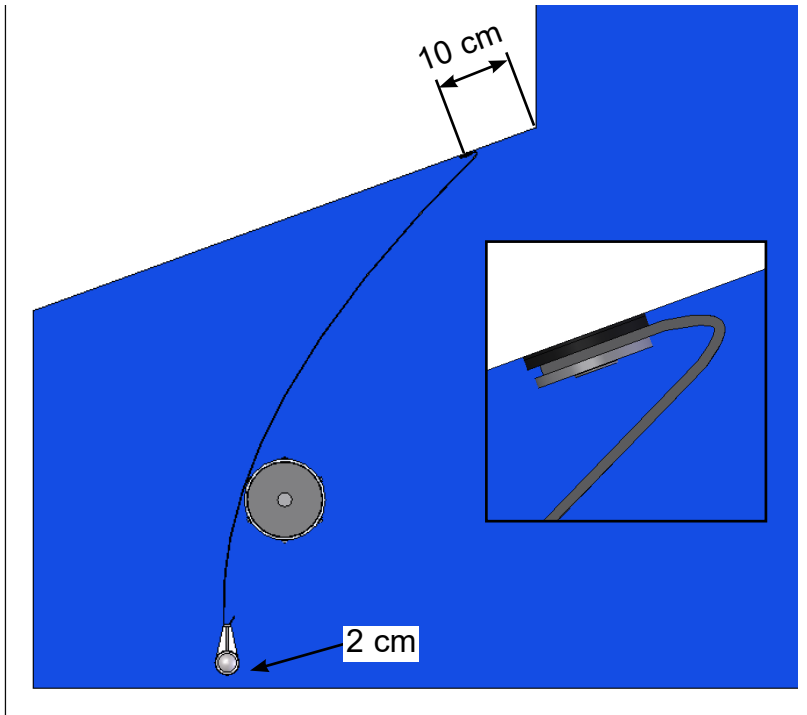
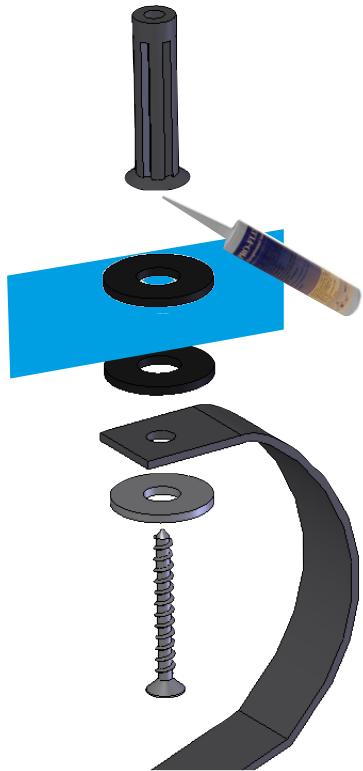
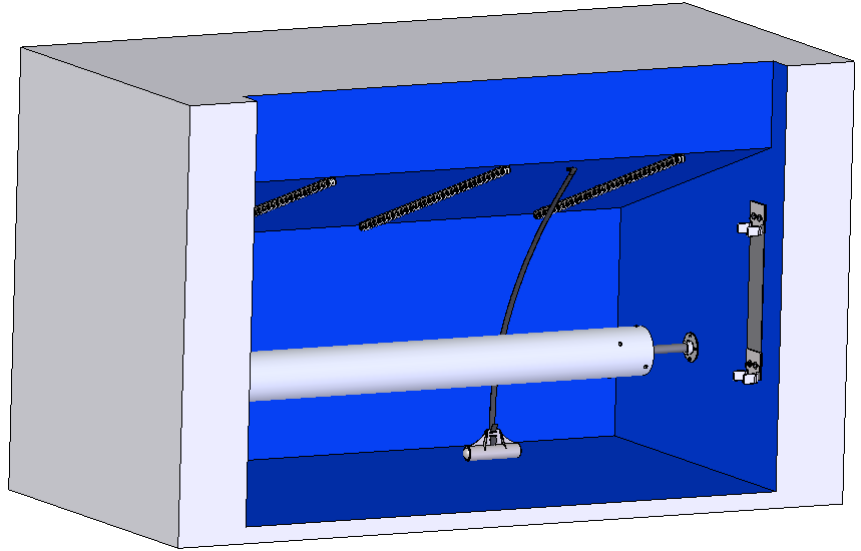
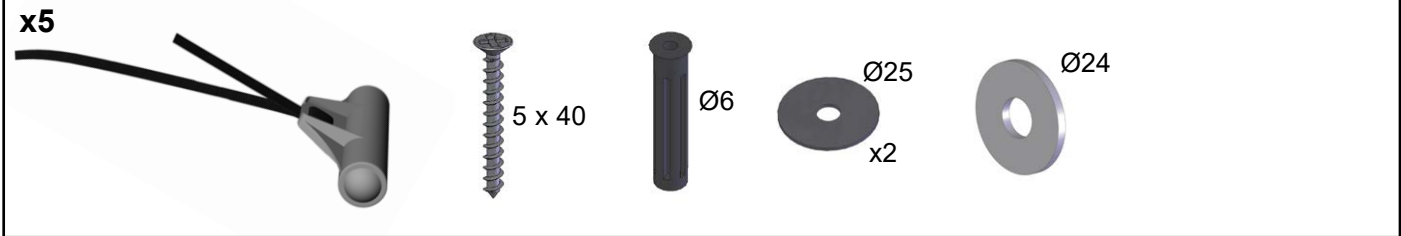




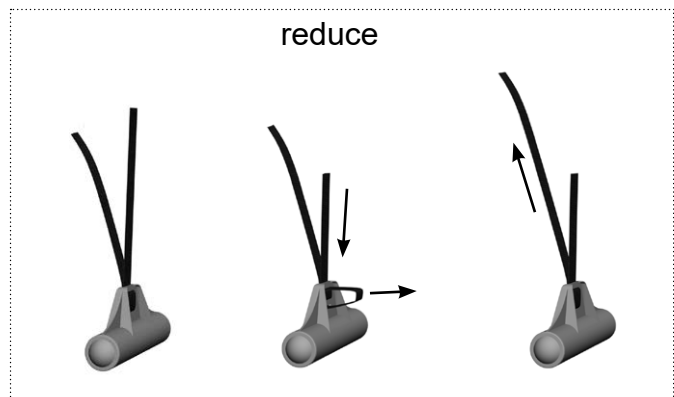
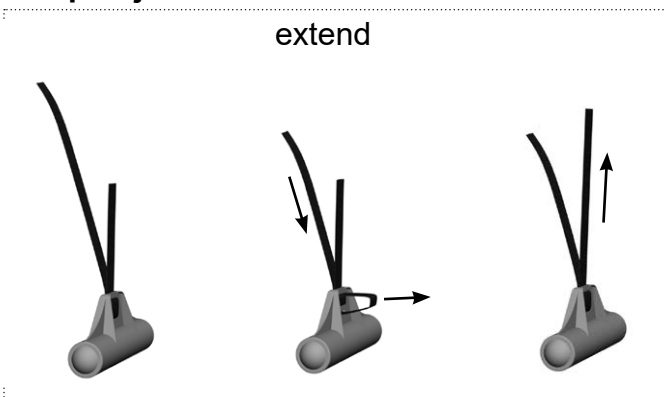
### Motor side

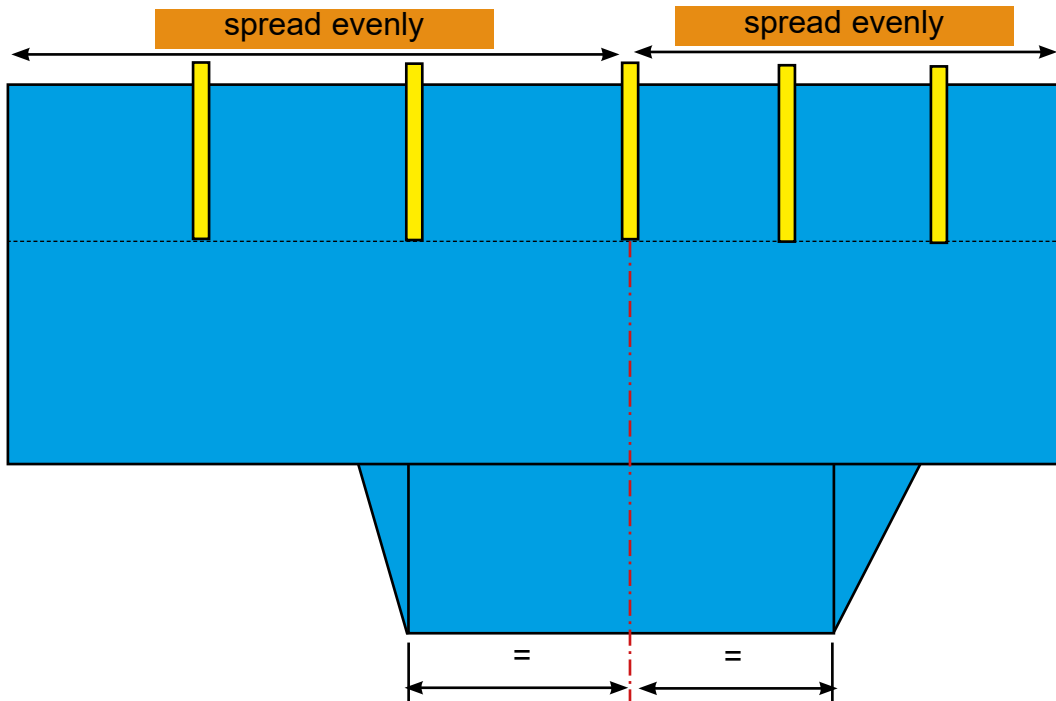
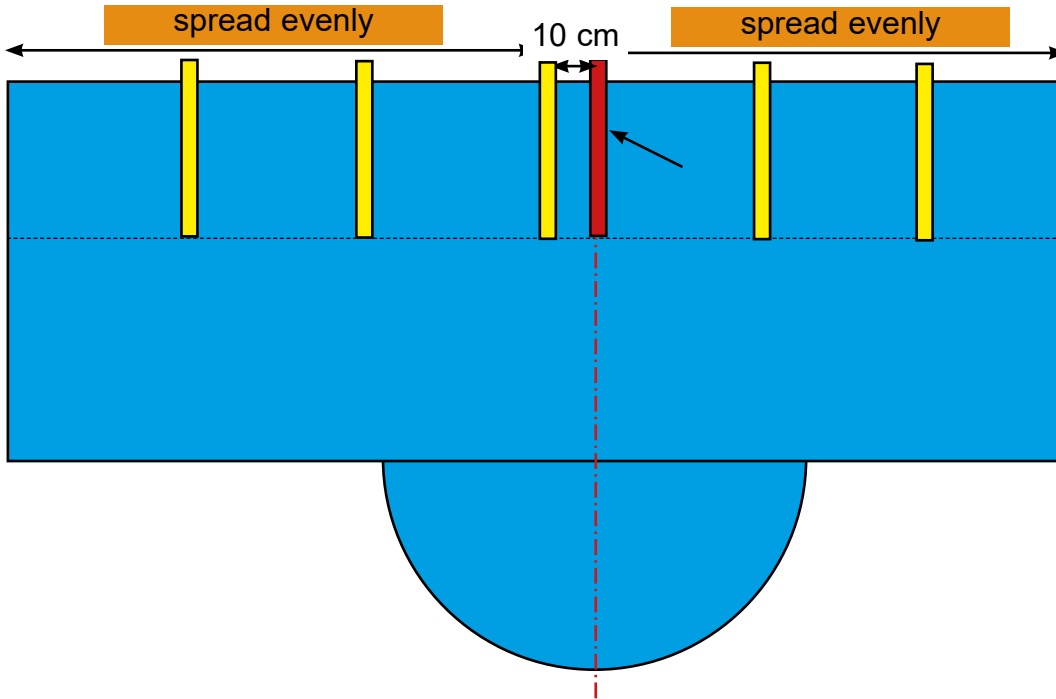
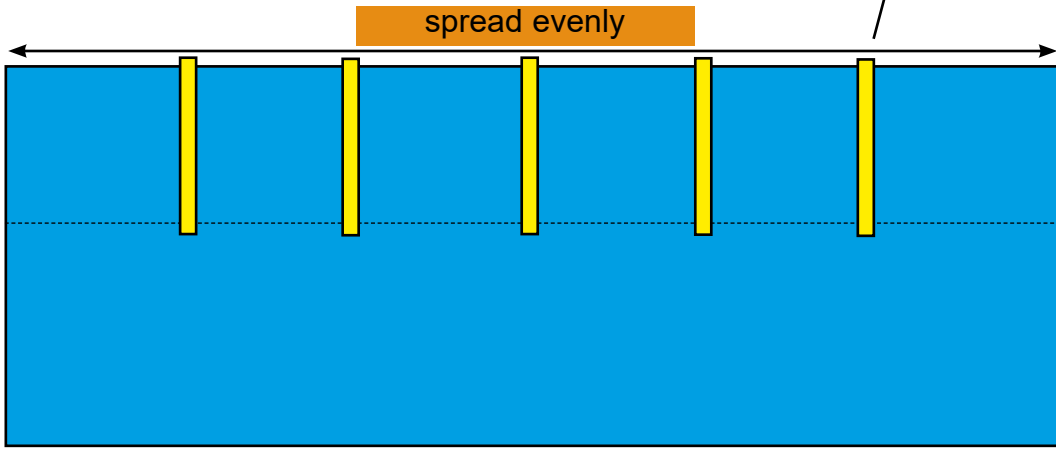
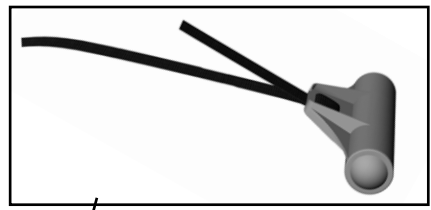


## INSTALLING THE COUNTER-WEIGHTS



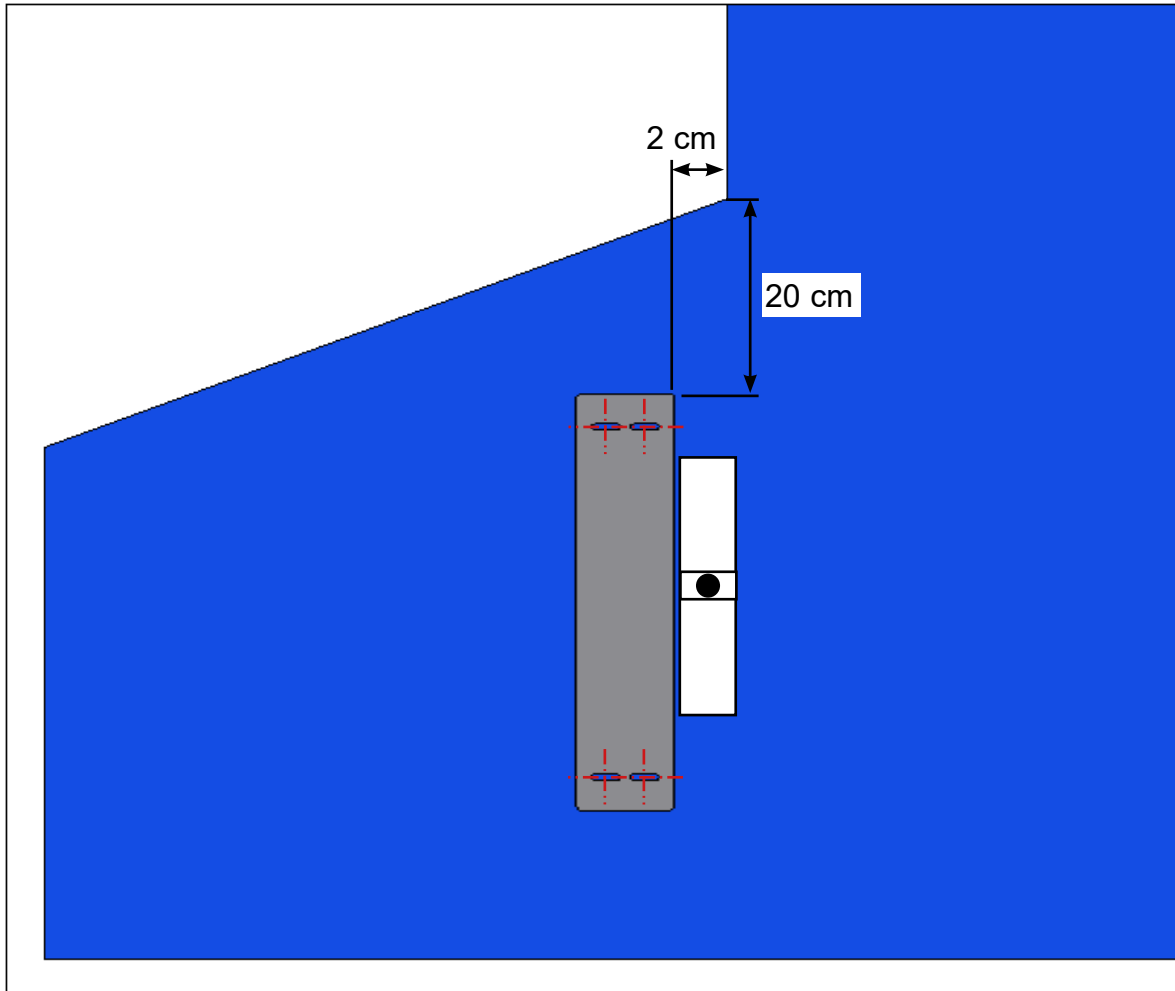
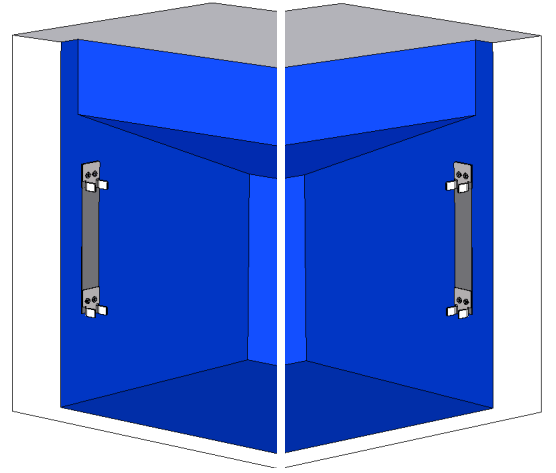
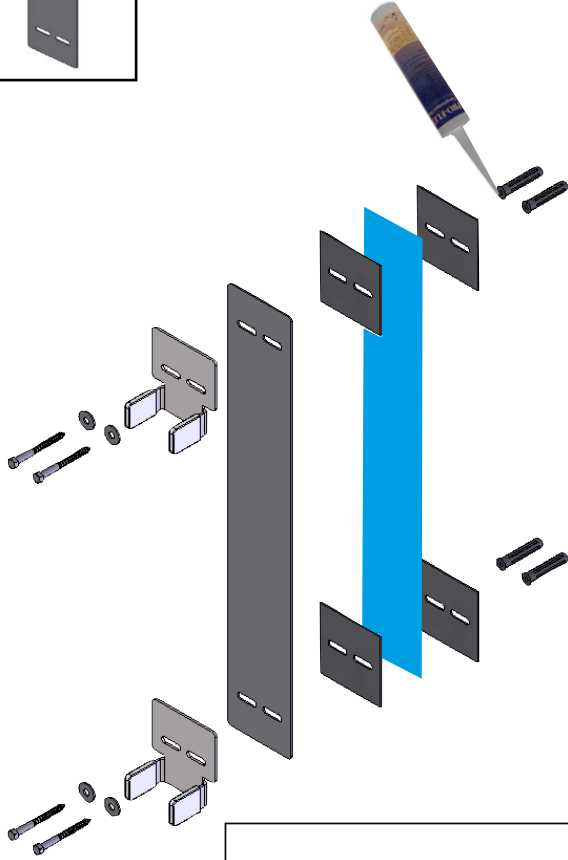
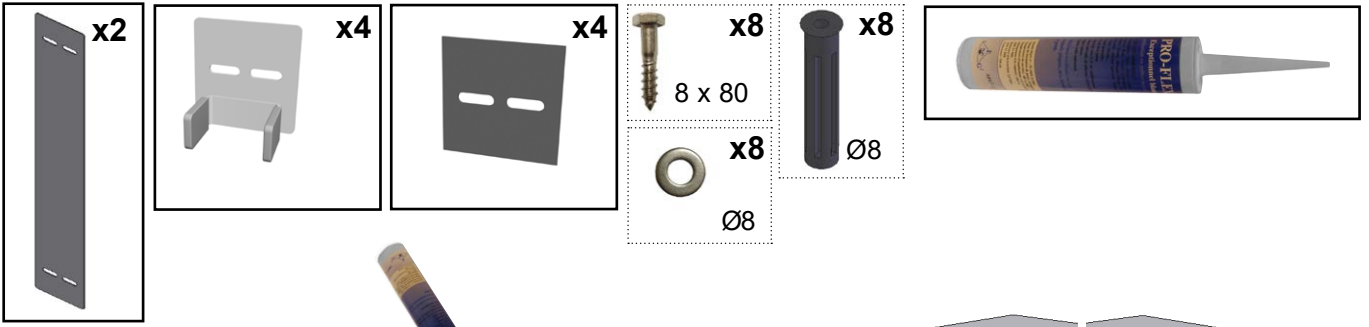
### Strap adjustment



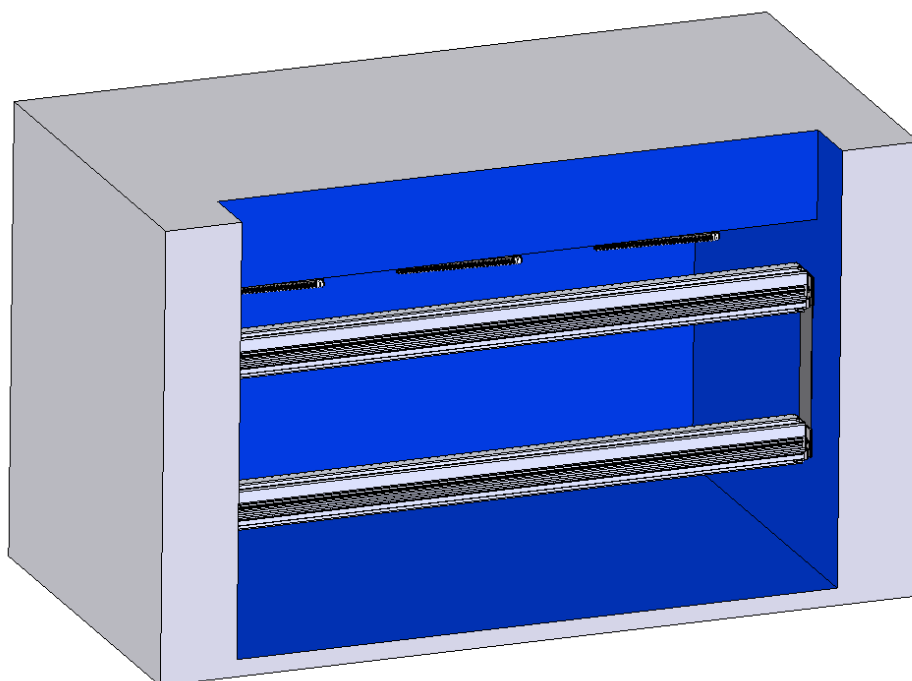
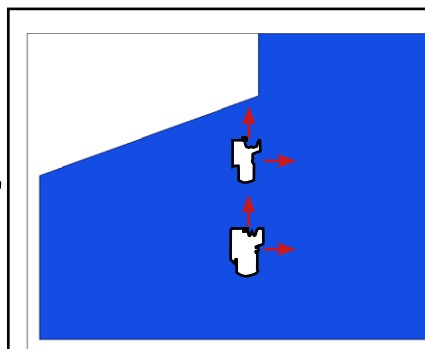
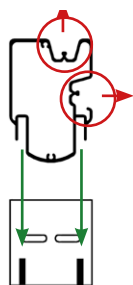
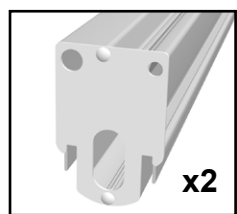


## DECKING INSTALLATION

### Installing the "beam supports"

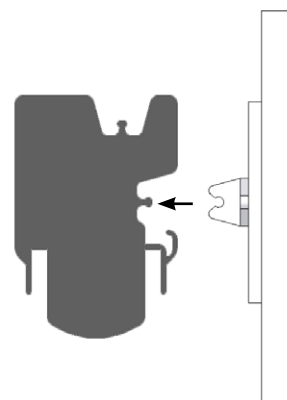
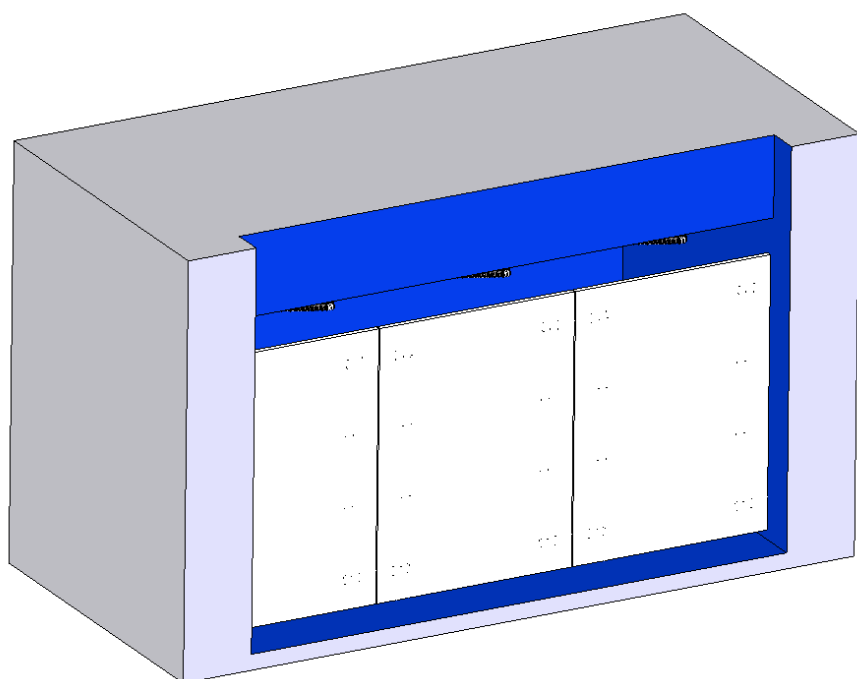


## Beam installation

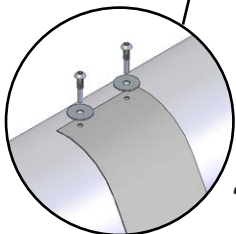
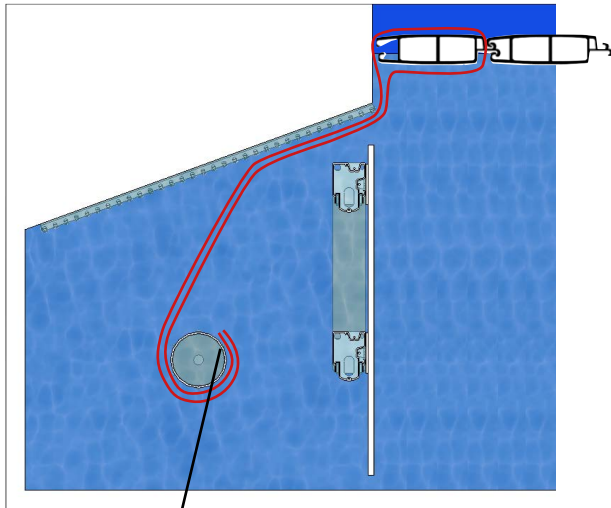


## Decking installation

Fit after having installed the cover

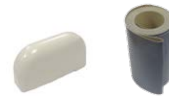


## COVER INSTALLATION

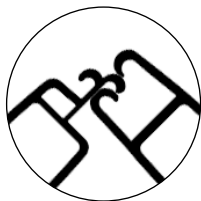
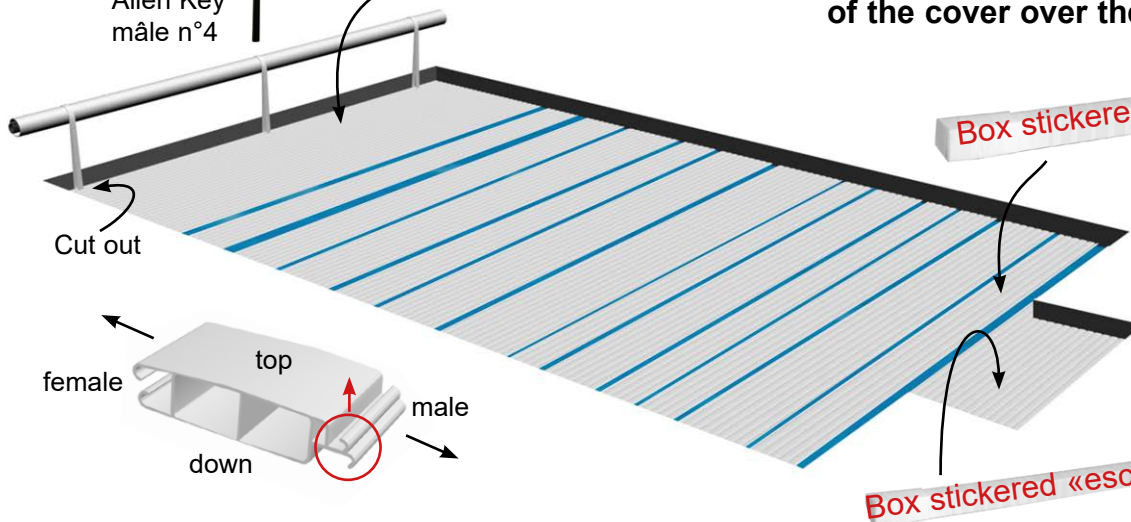


Allen Key mâle n°4

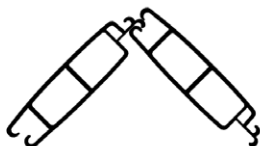
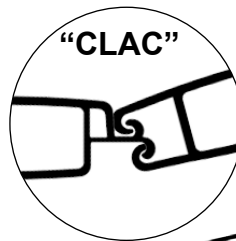
Box stickered «Début de volet»



Install the slats on the water and clip them together.  
**Take care with the direction of the cover over the pool**

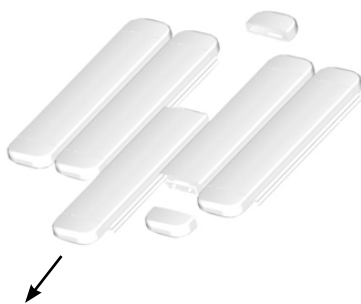
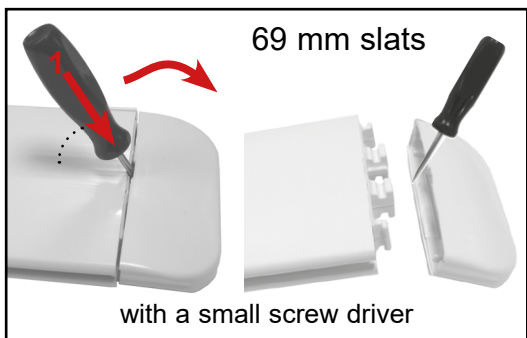


**i** Fit the slats along the whole length

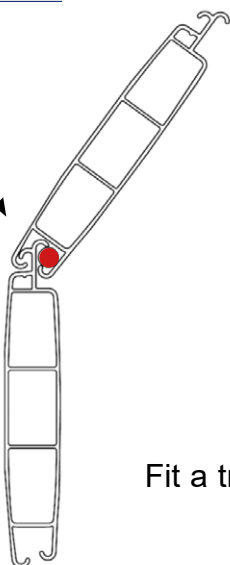
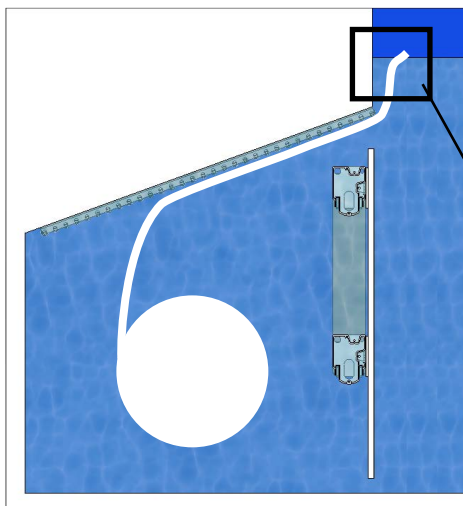


Repeated wiggling/handling of the slats may be needed..

## HOW TO TAKE OFF A SLAT AND END CAPS ?



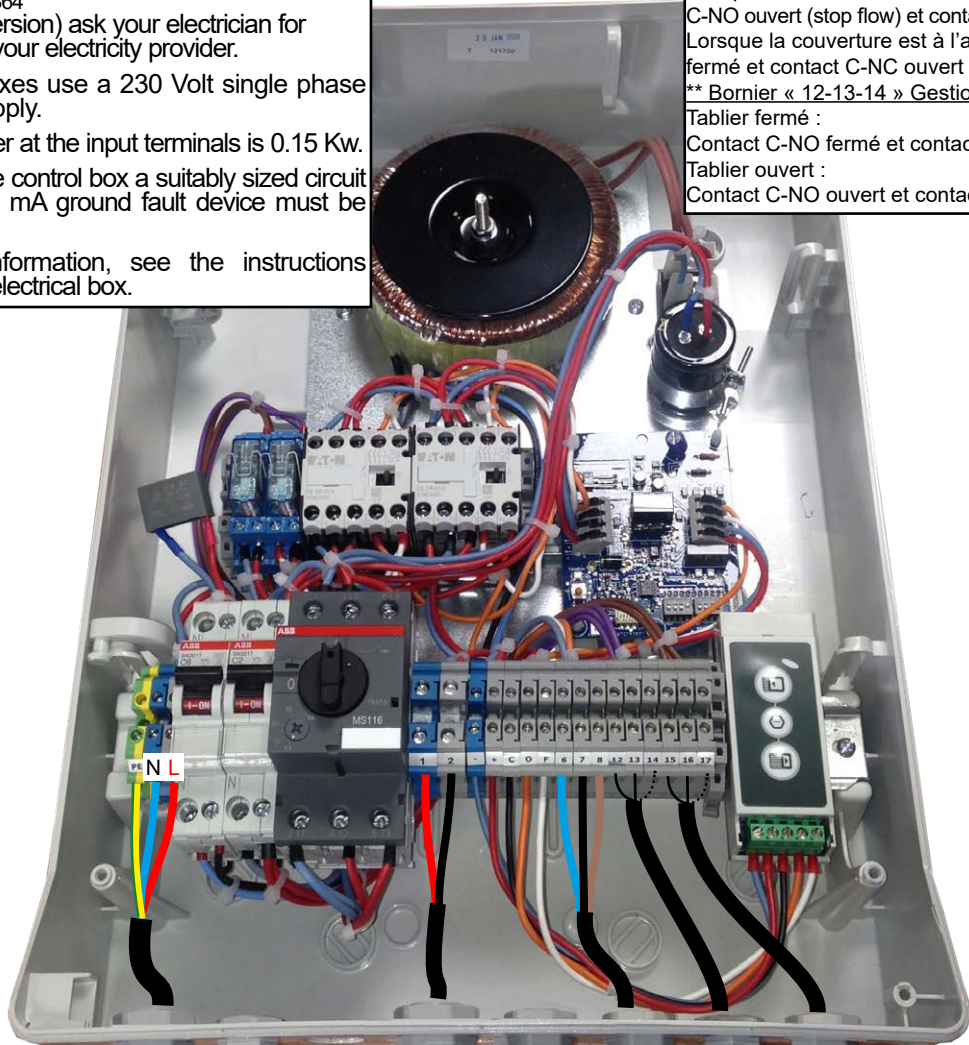
## INTRODUCTION OF THE ROD



Fit a trim on each side of the first slat

The electric control box must be fitted in a dry room.  
 The installation must comply with the NF C15-100 standard. et CEI 60364  
 (Last applicable version) ask your electrician for advice or contact your electricity provider.  
 All our control boxes use a 230 Volt single phase (50Hz) power supply.  
 The required power at the input terminals is 0.15 Kw.  
 Upstream from the control box a suitably sized circuit breaker with a 30 mA ground fault device must be provided.  
 For additional information, see the instructions supplied with the electrical box.

\* Bornier « 15-16-17 » Pilotage de la pompe de filtration.  
 Lorsque la couverture est en mouvement : Contact C-NO ouvert (stop flow) et contact C-NC fermé (go flow)  
 Lorsque la couverture est à l'arrêt : Contact C-NO fermé et contact C-NC ouvert  
 \*\* Bornier « 12-13-14 » Gestion de l'électrolyseur.  
 Tablier fermé : Contact C-NO fermé et contact C-NC ouvert  
 Tablier ouvert : Contact C-NO ouvert et contact C-NC fermé



Circuit breaker with a 30 mA protection.



Connection  
 Plug **N** and **L**  
 230 VDC  
 monophased 50 Hz

STOP FLOW

Salt electrolysis system

3 x 1,5 mm<sup>2</sup>

OPTION  
 Connector  
 see page 36

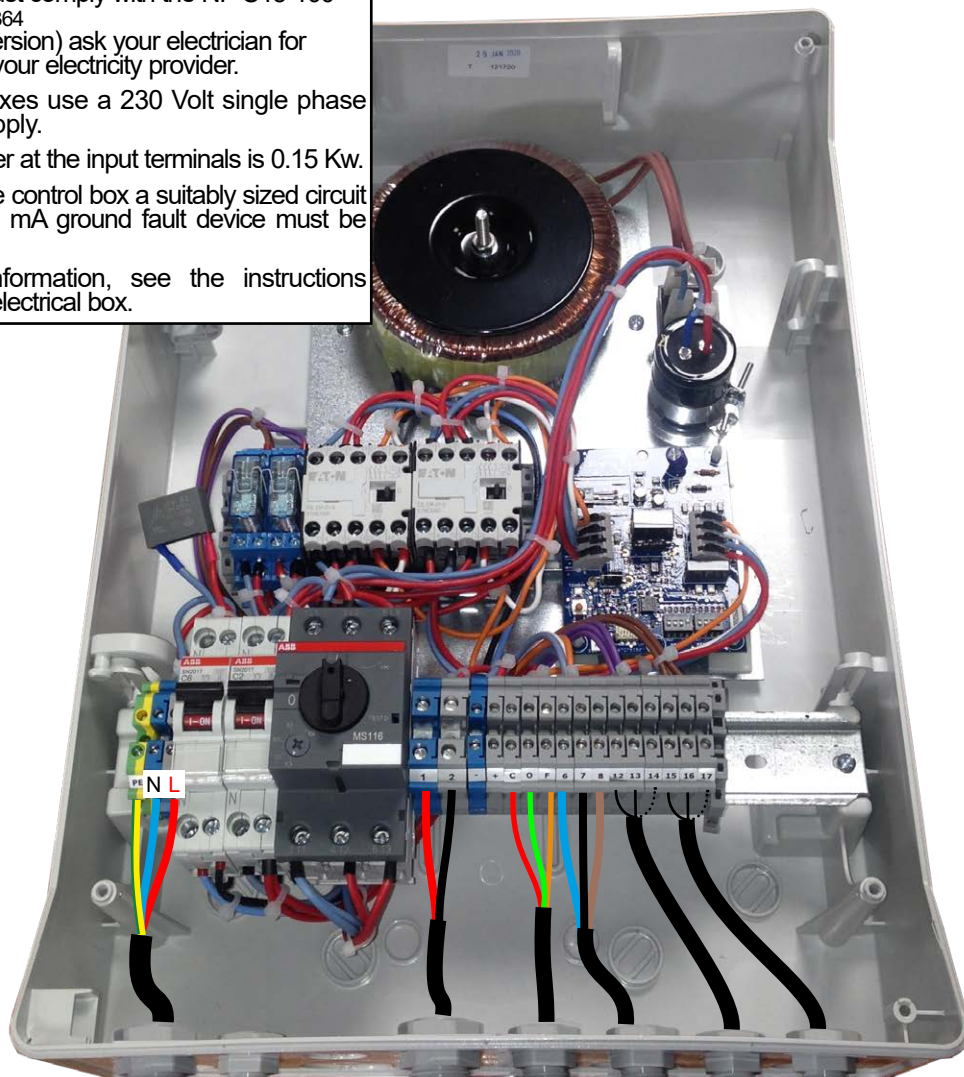


(U1000R02V in a sheath)

2 x 4 mm<sup>2</sup> - up to 16 m in length.  
 2 x 6 mm<sup>2</sup> - from 16 to 25 m in length.



The electric control box must be fitted in a dry room.  
 The installation must comply with the NF C15-100 standard, et CEI 60364 (Last applicable version) ask your electrician for advice or contact your electricity provider.  
 All our control boxes use a 230 Volt single phase (50Hz) power supply.  
 The required power at the input terminals is 0.15 Kw.  
 Upstream from the control box a suitably sized circuit breaker with a 30 mA ground fault device must be provided.  
 For additional information, see the instructions supplied with the electrical box.



STOP FLOW

Circuit breaker with a 30 mA protection.



Connection

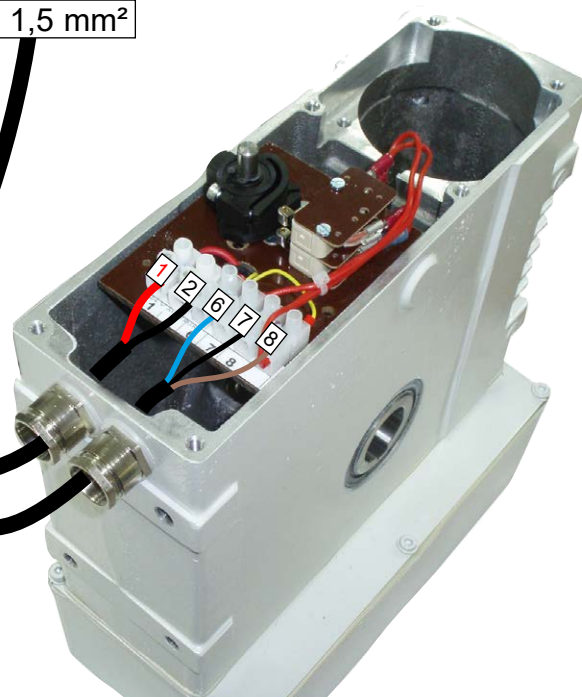
Plug **N** and **L**  
 230 VDC  
 monophased 50 Hz

Salt electrolysis system

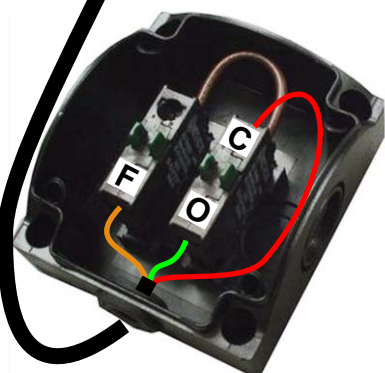
3 x 1,5 mm<sup>2</sup>

OPTION  
 Connector  
 see page 36

3 x 1,5 mm<sup>2</sup>



key switch



(U1000RO2V in a sheath)

2 x 4 mm<sup>2</sup> - up to 16 m in length.  
 2 x 6 mm<sup>2</sup> - from 16 to 25 m in length.

The electric control box must be fitted in a dry room.  
The installation must comply with the NF C15-100 standard, et CEI 60364 (Last applicable version) ask your electrician for advice or contact your electricity provider.  
All our control boxes use a 230 Volt single phase (50Hz) power supply.  
The required power at the input terminals is 0.15 Kw.  
Upstream from the control box a suitably sized circuit breaker with a 30 mA ground fault device must be provided.  
For additional information, see the instructions supplied with the electrical box.



Connection  
**N and L plug**  
**230 Volts**  
**single**  
**phased 50 Hz**

3 x 1,5 mm<sup>2</sup>

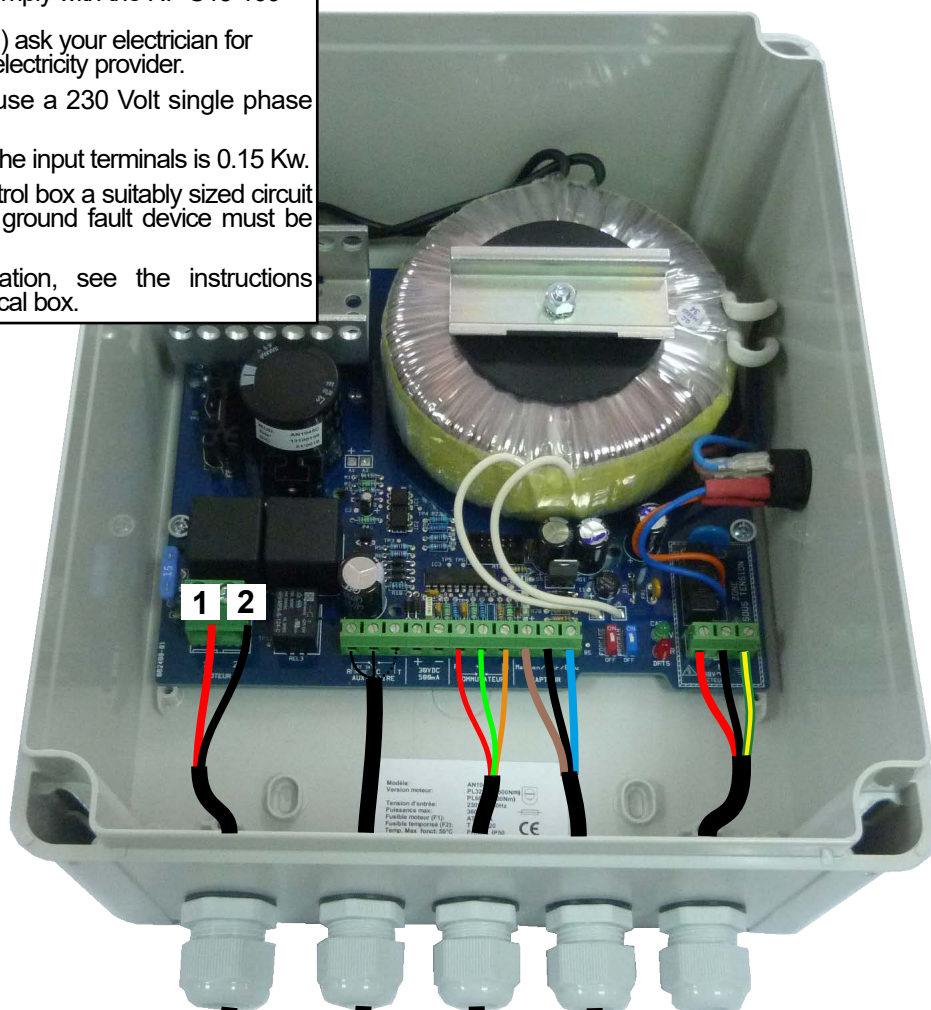
*OPTION*  
*Connector*  
*see page 30*



(U1000RO2V in a sheath)

2 x 4 mm<sup>2</sup> - up to 16 m in length.  
2 x 6 mm<sup>2</sup> - from 16 to 25 m in length.

The electric control box must be fitted in a dry room.  
 The installation must comply with the NF C15-100 standard, et CEI 60364 (Last applicable version) ask your electrician for advice or contact your electricity provider.  
 All our control boxes use a 230 Volt single phase (50Hz) power supply.  
 The required power at the input terminals is 0.15 Kw.  
 Upstream from the control box a suitably sized circuit breaker with a 30 mA ground fault device must be provided.  
 For additional information, see the instructions supplied with the electrical box.



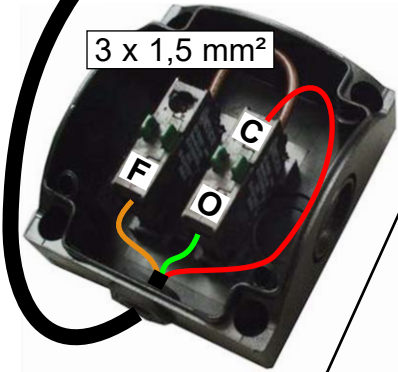
Connection  
**N and L plug**  
**230 Volts**  
**single**  
**phased 50 Hz**

3 x 1,5 mm<sup>2</sup>

**Key Switch**



Its location must be in a place from which it is possible to check that no one enters the manoeuvre.



*OPTION  
 Connector  
 see page 30*



(U1000R02V in a sheath)

2 x 4 mm<sup>2</sup> - up to 16 m in length.  
 2 x 6 mm<sup>2</sup> - from 16 to 25 m in length.

## ELECTRICAL WIRING / WI-KEY

The electric control box must be fitted in a dry room.

The installation must comply with the NF C15-100 standard. et CEI 60364

(Last applicable version) ask your electrician for advice or contact your electricity provider.

All our control boxes use a 230 Volt single phase (50Hz) power supply.

The required power at the input terminals is 0.15 Kw.

Upstream from the control box a suitably sized circuit breaker with a 30 mA ground fault device must be provided.

For additional information, see the instructions supplied with the electrical box.

Relay «PUMP» Pilots the filtration pump.

When operating the AutoCover: C-NO contact open

(stop filtration) and closed C-NC contact (filtration)

Relay «SALT» Electrolysis Management.

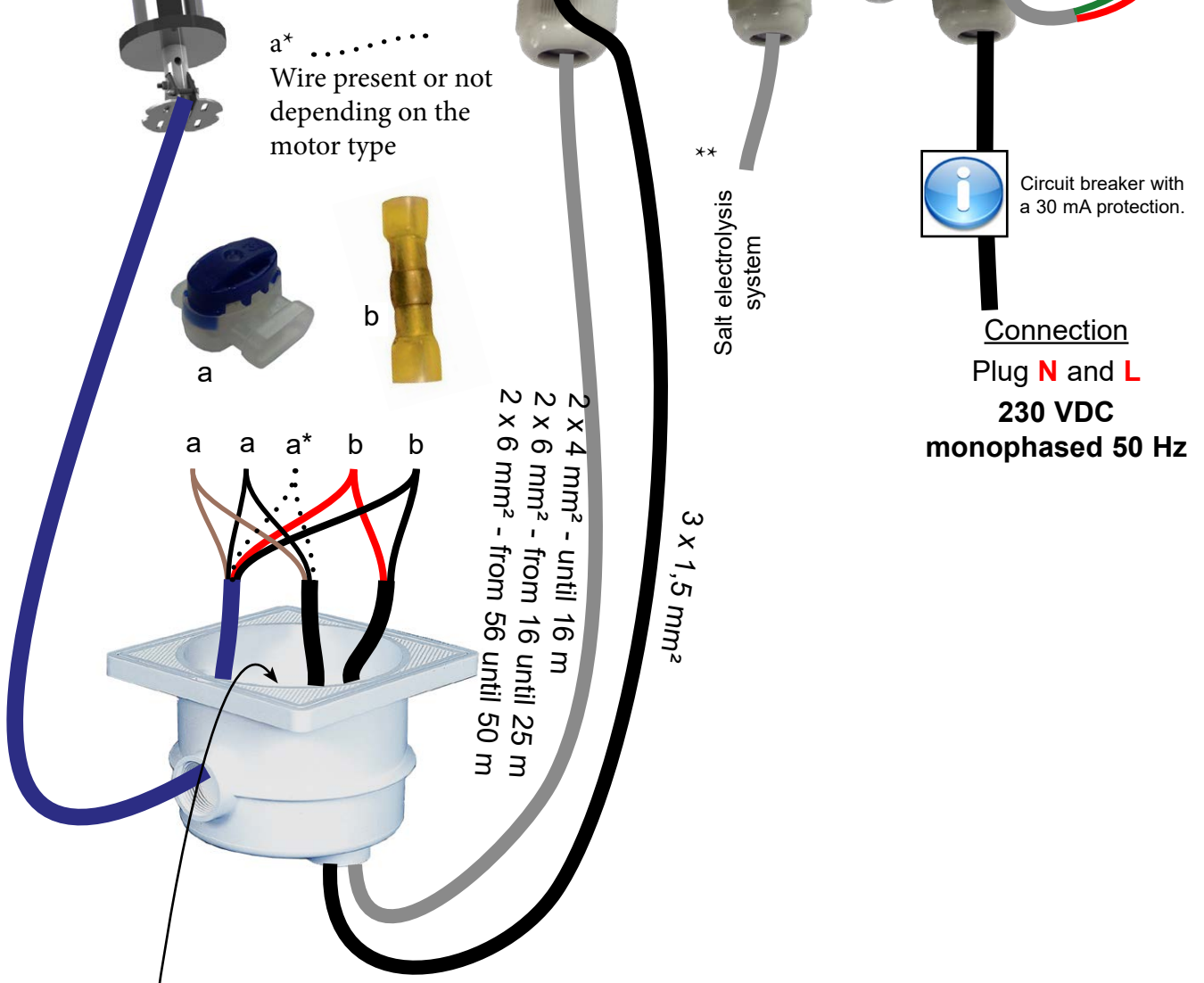
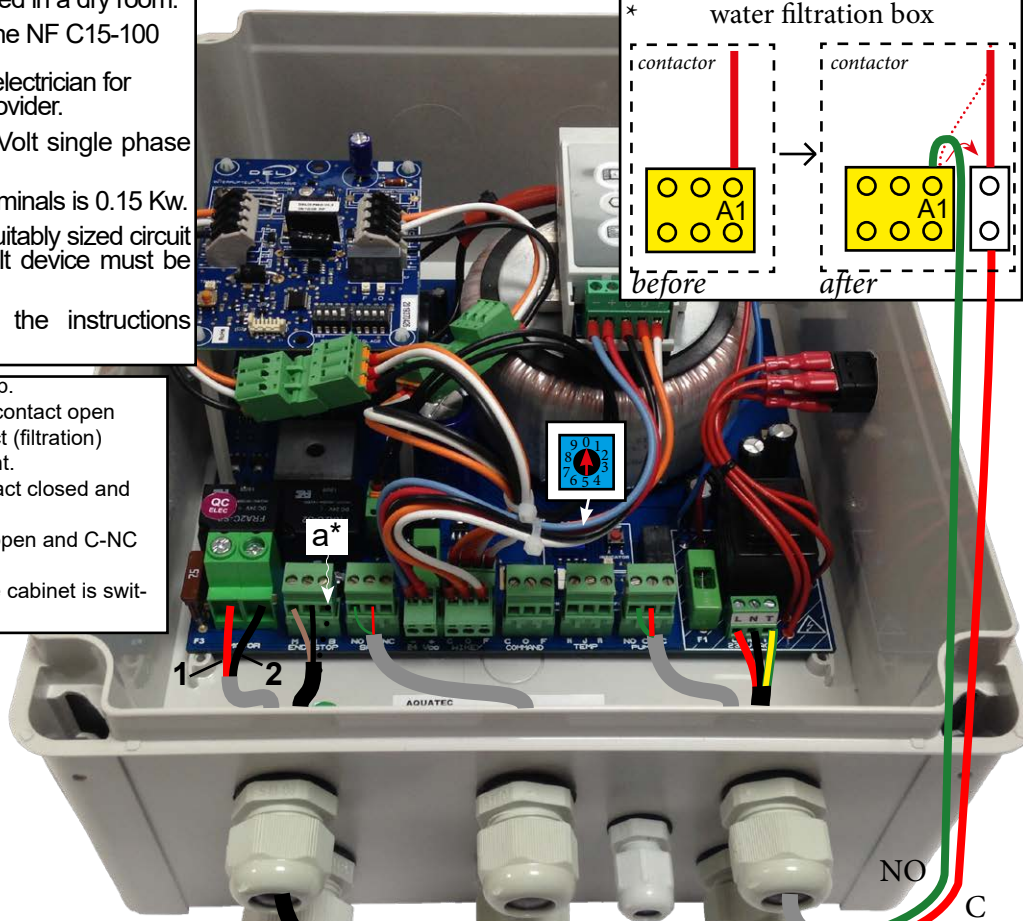
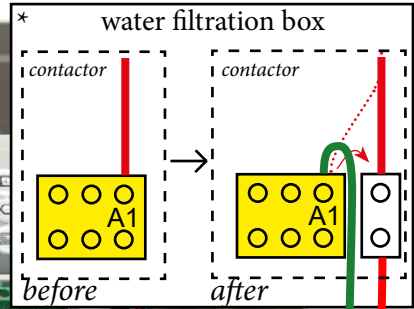
AutoCover closes the Pool: C-NO contact closed and

C-NC contact open

AutoCover opens Pool: C-NO contact open and C-NC

contact closed

The dry touch is memorized when the cabinet is switched off.

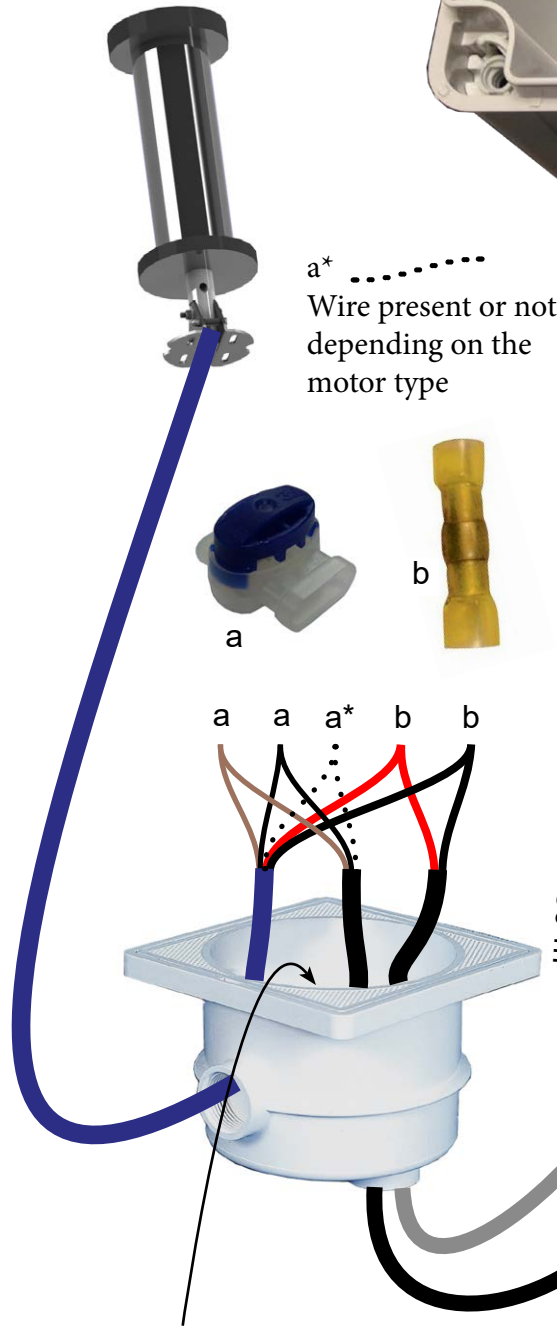
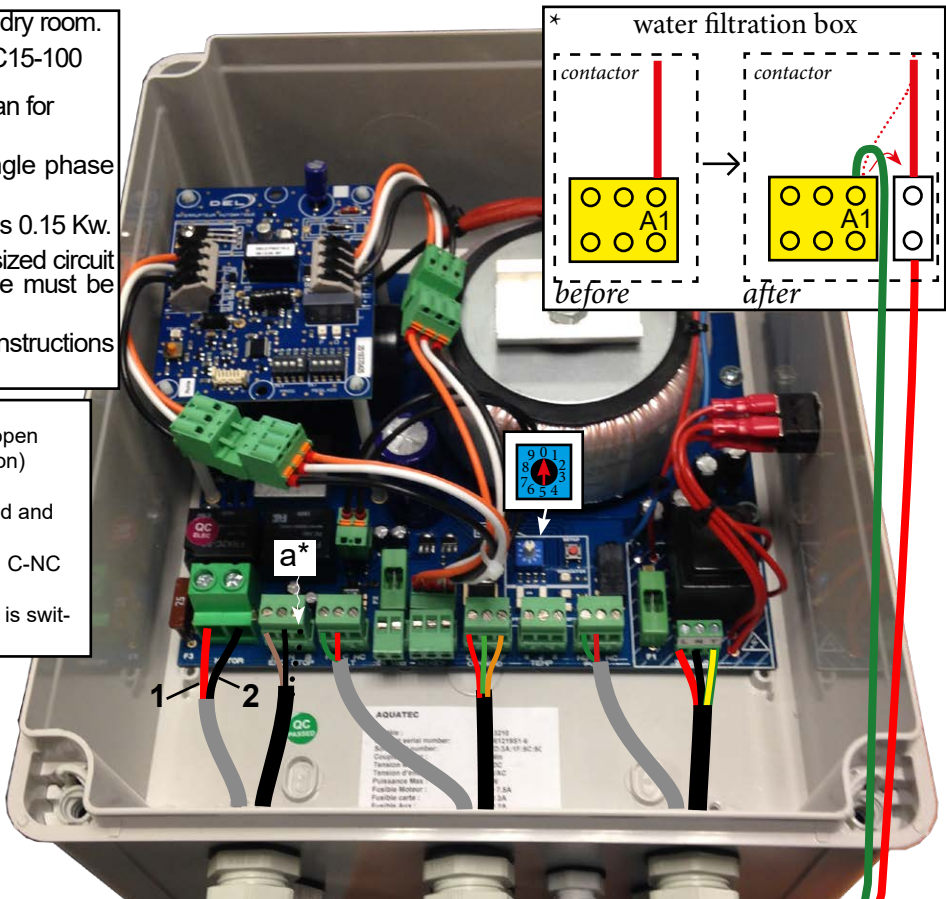
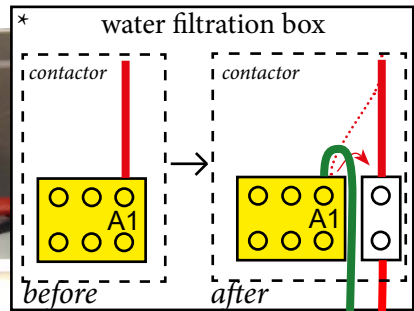


We recommend applying sealing gel in the connection box after having completed the wiring.

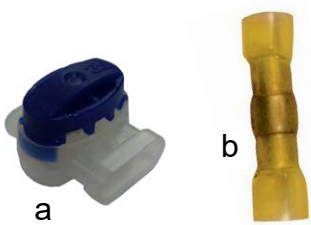
# ELECTRICAL WIRING WITH KEY OPERATED BOX

The electric control box must be fitted in a dry room.  
 The installation must comply with the NF C15-100 standard, et CEI 60364 (Last applicable version) ask your electrician for advice or contact your electricity provider.  
 All our control boxes use a 230 Volt single phase (50Hz) power supply.  
 The required power at the input terminals is 0.15 Kw.  
 Upstream from the control box a suitably sized circuit breaker with a 30 mA ground fault device must be provided.  
 For additional information, see the instructions supplied with the electrical box.

Relay «PUMP» Pilots the filtration pump.  
 When operating the AutoCover: C-NO contact open (stop filtration) and closed C-NC contact (filtration)  
 Relay «SALT» Electrolysis Management.  
 AutoCover closes the Pool: C-NO contact closed and C-NC contact open  
 AutoCover opens Pool: C-NO contact open and C-NC contact closed  
 The dry contact is memorized when the cabinet is switched off.



a\* .....  
 Wire present or not depending on the motor type



2 x 4 mm<sup>2</sup> - until 16 m  
 2 x 6 mm<sup>2</sup> - from 16 until 25 m  
 2 x 6 mm<sup>2</sup> - from 56 until 50 m

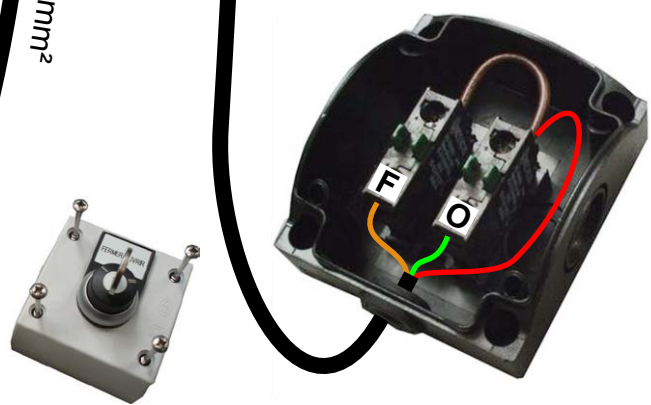
3 x 1,5 mm<sup>2</sup>

\*\* Salt electrolysis system



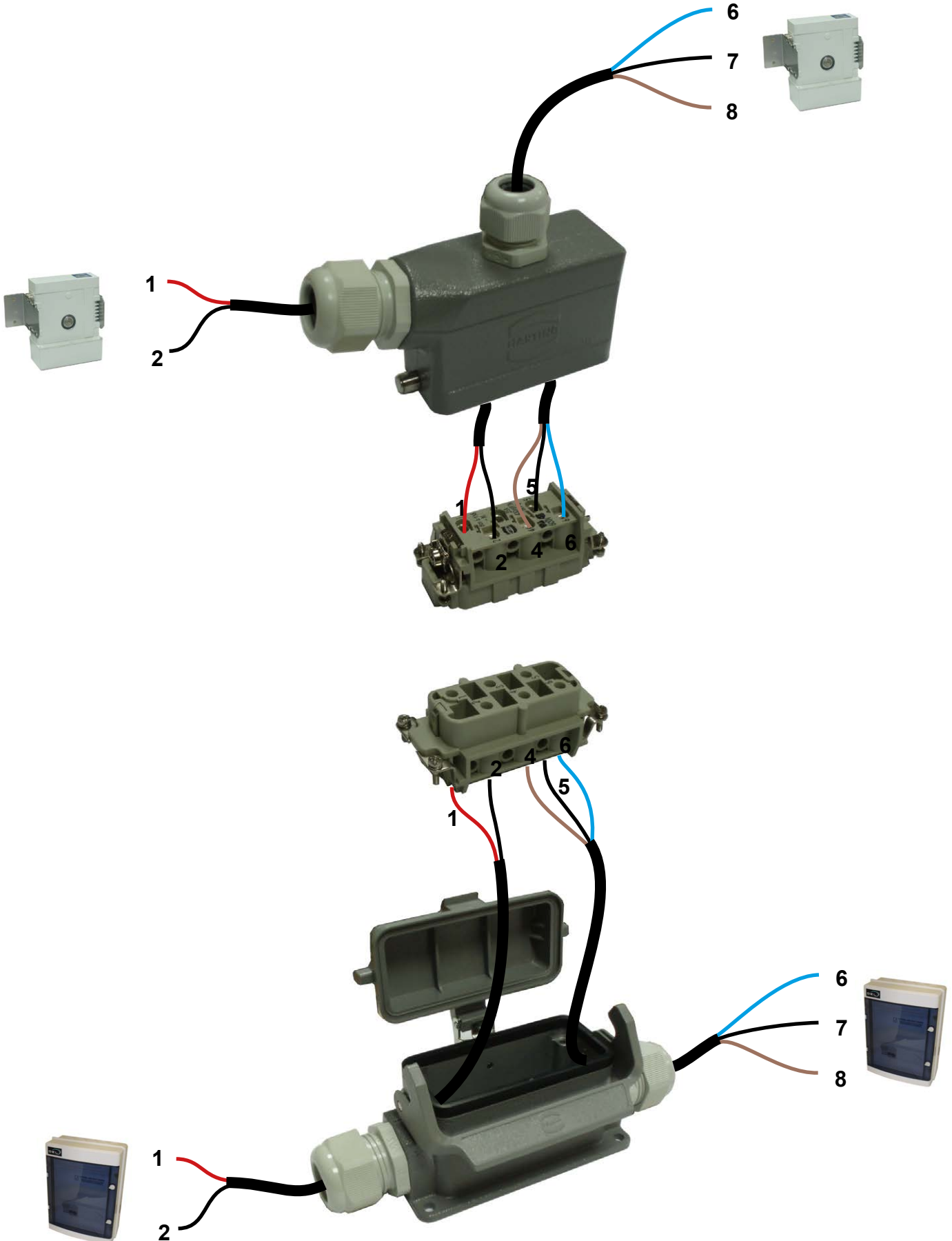
Circuit breaker with a 30 mA protection.

Connection  
 Plug **N** and **L**  
**230 VDC**  
**monophased 50 Hz**



We recommend applying sealing gel in the connection box after having completed the wiring.

Located between the motor and the control panel, allows to unplug the motor without dismantling it  
For winterizing, replace the motor by the winterizing handle





## WI-KEY INSTALLING THE CONTROL BOX



red / green flashing = emitter locked  
 Emitter unlocking procedure

The emitter must be located outside volume 0.

The distance between the emitter and the receiver must not exceed:

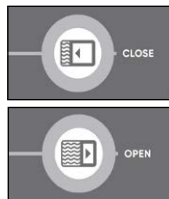
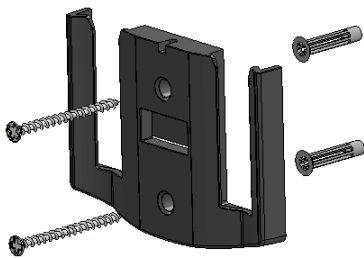
- 50 m in an obstacle-free zone.
- 25 m behind a basic wall.
- 15 m behind several walls or an especially thick wall.

we recommend checking emitter/receiver communication before fixing permanently.



- It must be located in a place from which it is possible to check that no one enters the pool during the manoeuvre.
- It is mandatory to install the locking «strip».
- Before fixing the control box, check that the emitter is communicating with the receiver.

The support must be attached to a fixed support



Closing



Keyboard lock



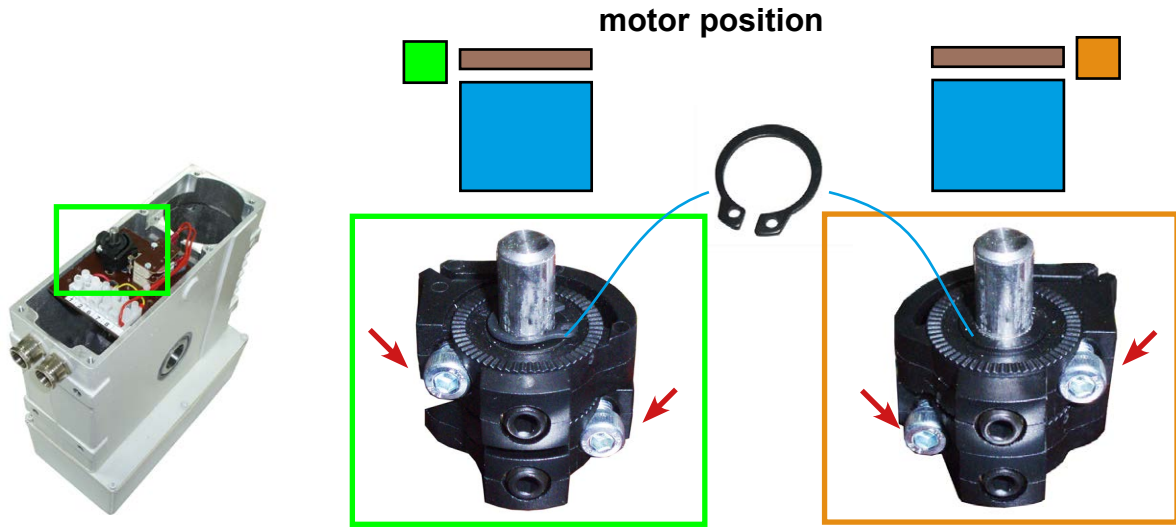
Opening



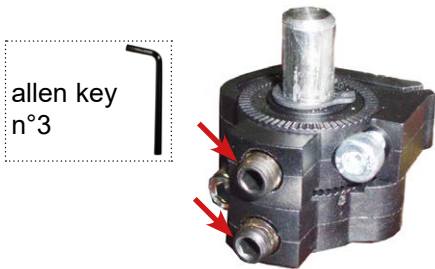
Stops the current action



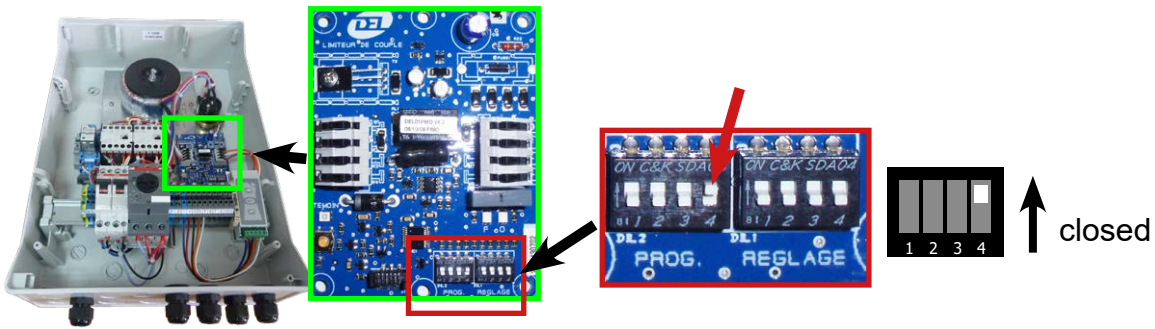
## 1 Checking of the automatic stop position



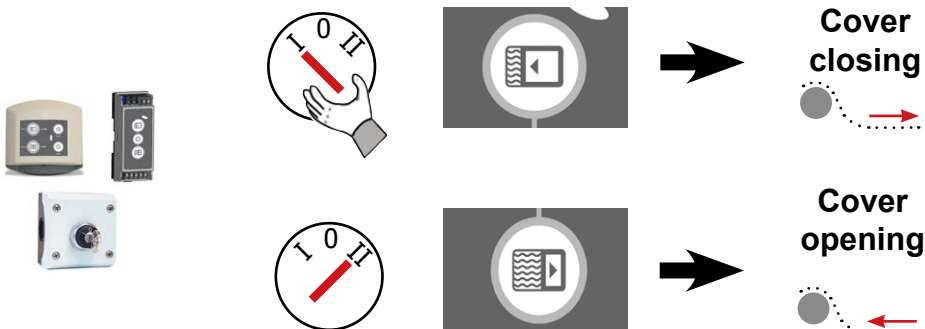
## 2 Untighten the cam screws



## 3 Close the electronic card



## 4 Checking of the roll in roll out direction



if the control logic is incorrect, Check the wiring installation

5

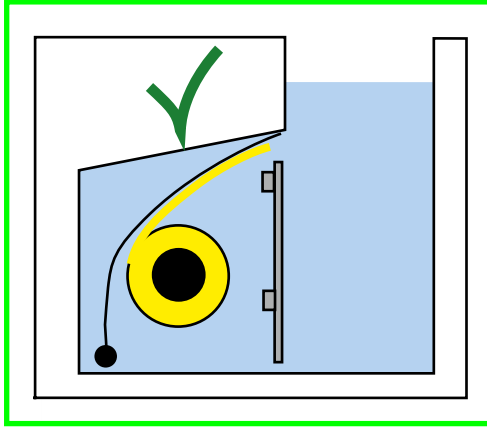
## Cover installation «open pool»



Adjust the position of the cover using the programme «open and closed»

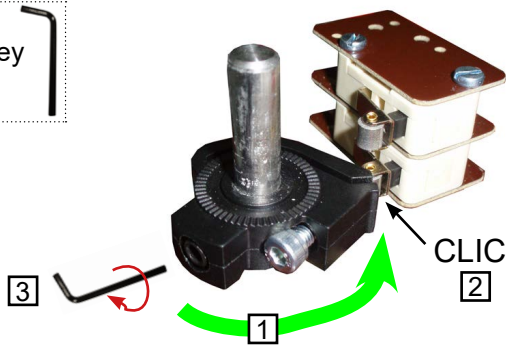


Be careful to choose the right position, it will be the starting reference.

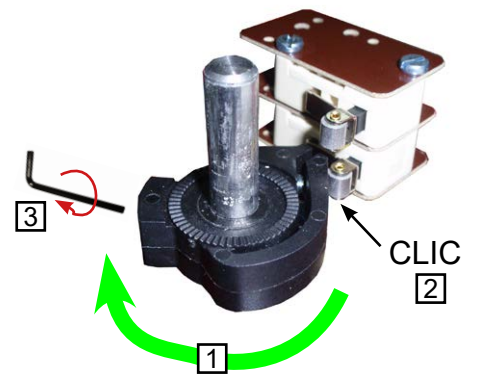


6

## Recording position «open pool»



or



## Cover installation «closed pool»

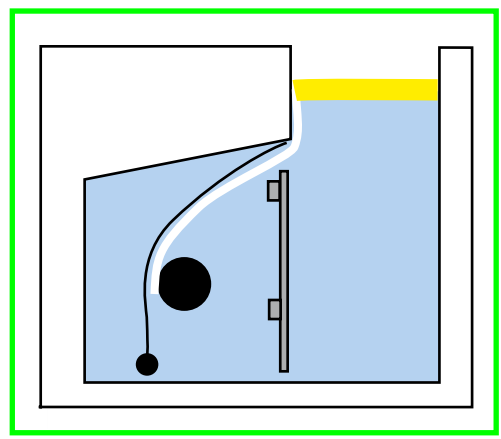


Adjust the position of the cover using the programme «open and closed»

**Be careful : the last operation used must be a closing.**

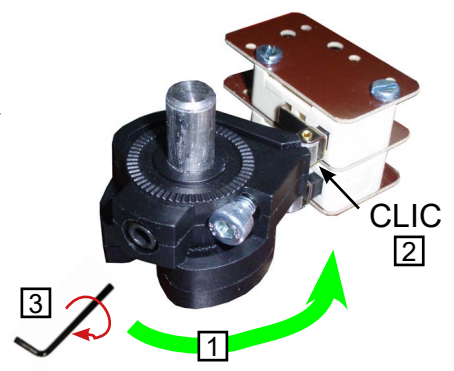
«if you cannot close the cover, chek the electric control is correct and start the automatic stop adjustment procedure from the begining. »

7

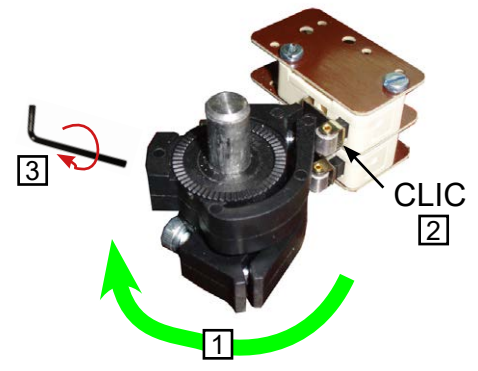


35

## Recording position «closed pool»

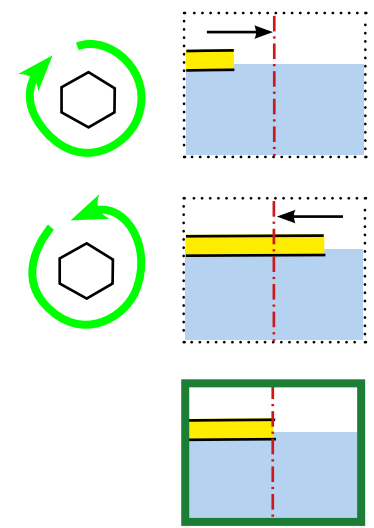
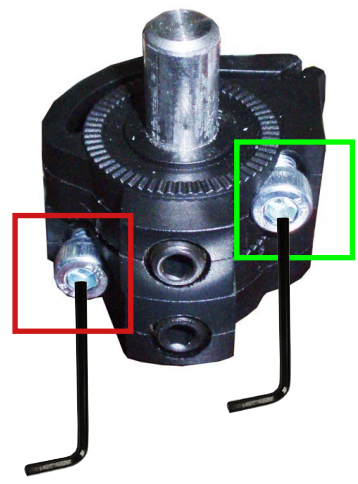
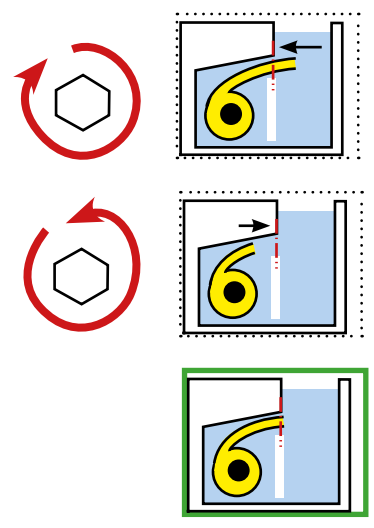


or



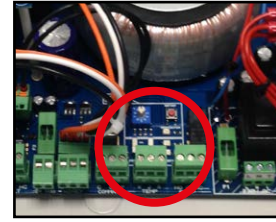
8

## Automatic stop adjustment



### 1 - Programme starting :

1



### 2 check up

2



Cover closing



Cover opening



**if the control logic is incorrect, Check the wiring installation**

36

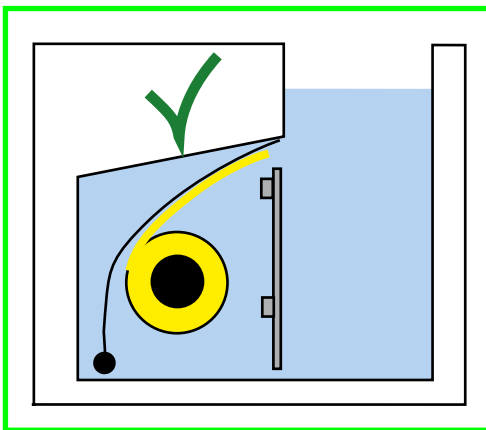
### Cover installation «open pool»

3



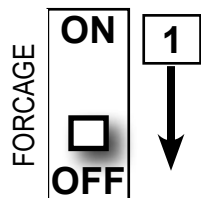
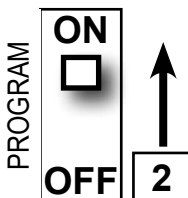
Adjust the position of the cover using the programme «open and closed»

Be careful to choose the right position, it will be the starting reference.



### 4 Recording position «open pool»

4



5

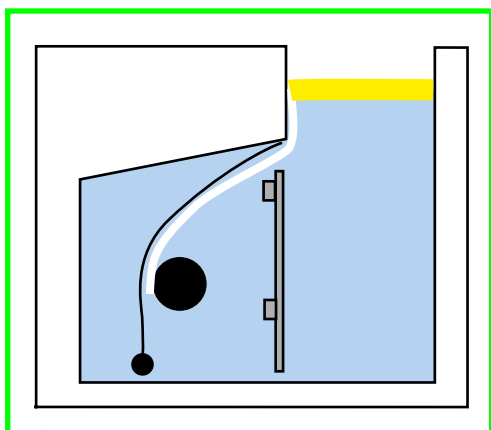
## Cover installation «closed pool»



Adjust the position of the cover using the programme «open and closed»

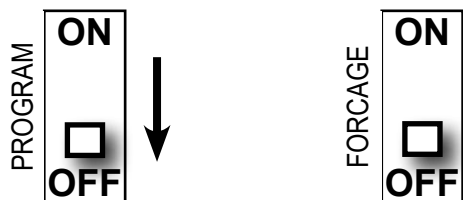
**Be careful : the last operation used must be a closing.**

«if you cannot close the cover, chek the electric control is correct and start the automatic stop ajustement procedure from the begining. »



6

## Recording position «closed pool»



7

Automatic stop adjustment is over.

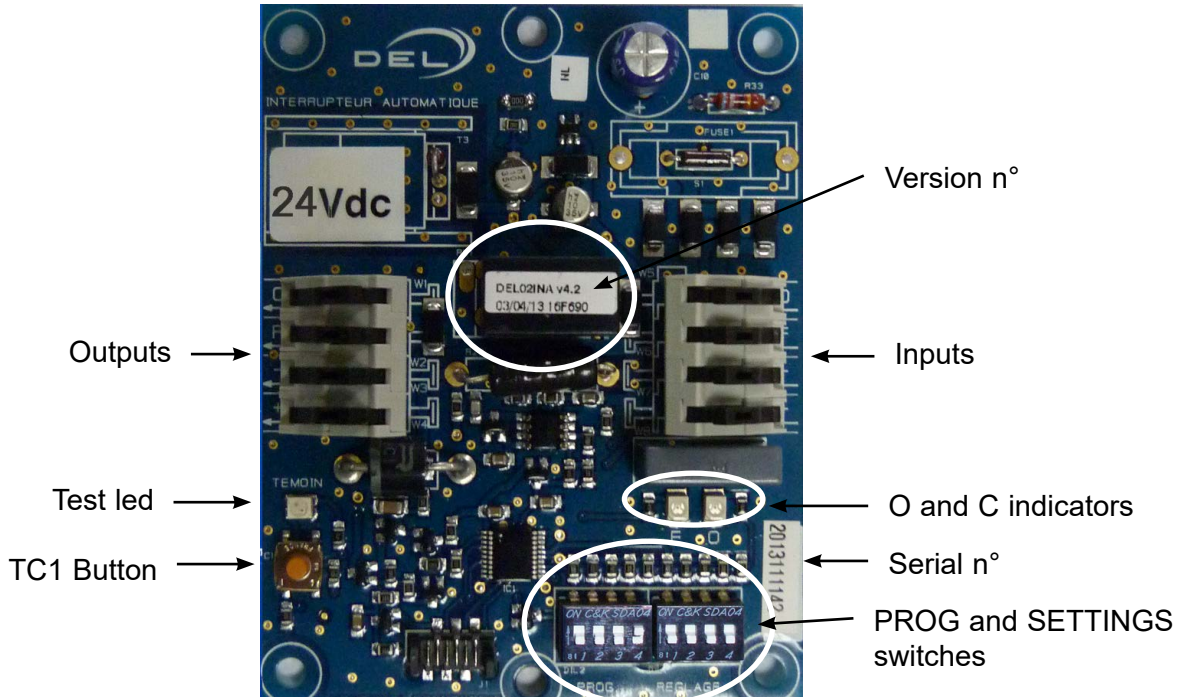
### INFORMATION

The automatic switch protects the system in case locking kits are unreleased when opening the pool.

If the cover jams, the motor is shut down automatically.

#### Different cases of jamming:

- Unreleased safety locking kit.
- cover rubbing (on the beam, coping stone...)
- Object in the pool jamming the cover (cleaner, counter-weight ...).



## CHECKING THE COMMAND LOGIC ON THE AUTOMATIC SWITCH

- Deactivate the automatic switch



(Switch PROG)

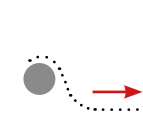


deactivated

- Check :



pool closure



indicators

test	O	F
●	○	●

or



pool opening



test	O	F
●	●	○

**if the key switch is incorrectly wired**

## SETTING THE ROLLER MODEL (SETTINGS SWITCH)

Immersed motorisation



Dry pit motorisation



## CONTROL TIME SETTING (SETTINGS SWITCH)

L = pool length steps included

$L \leq 12$  m



30 seconds

$L > 12$  m

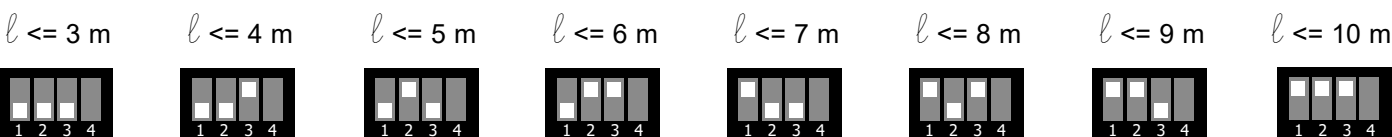


60 seconds



## ADJUSTING THE TRIGGER SENSITIVITY (PROG SWITCH)

l = pool width



← Maximum sensitivity ————— Minimum sensitivity →



## ACTIVATION (PROG SWITCH)

activated



**Failure to activate the automatic switch can cause serious damage to the motor, the control box, the slats and void the warranty.**

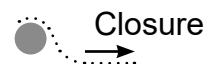


## IMPORTANT

Contact maintained more than 3 secs  
= The next opening will be protected



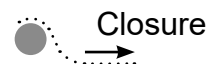
+ 3 seconds



Contact maintained less than 3 seconds  
= The next opening will not be protected



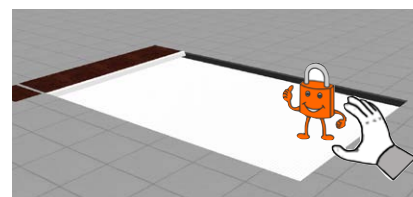
- 3 seconds



## TEST

A - Block the cover by hand or with fixture kits and open the cover

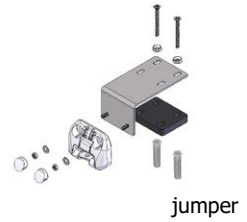
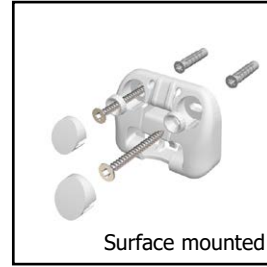
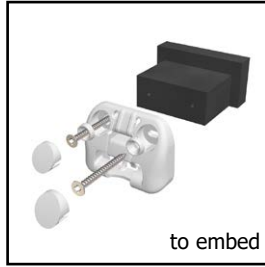
**=> The motor is automatically stopped.**  
(if necessary adjust the sensitivity of the switch activation)



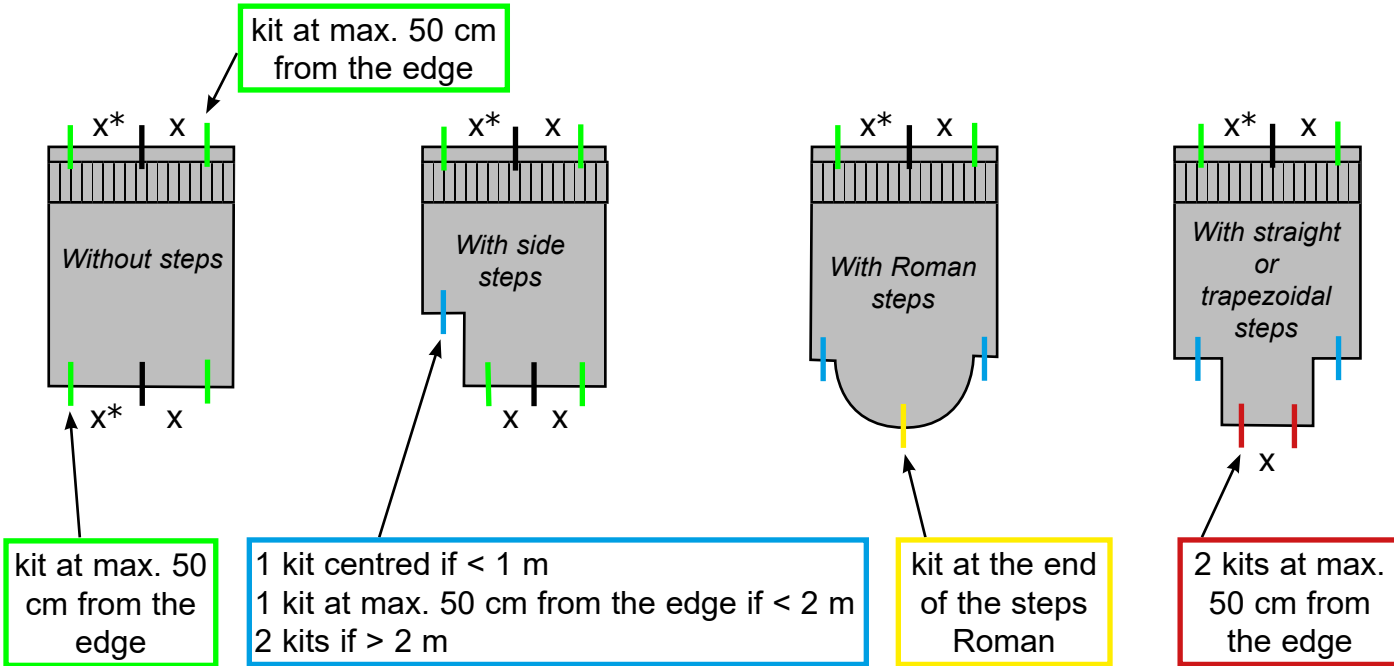
If there are unplanned activations, reduce the sensitivity level by selecting the setting for the next bigger width.

card activated	test	O	F
Opening, control in progress			
Opening without control			
Closure			
Protection ON			

# Push-lock



## FASTENER KIT POSITIONING RULES



\* X must never exceed 2 m

The position of the fastener kits on the cover is indicated on the drawings shipped with the slats.

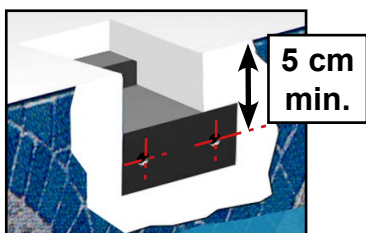
All changes to the positioning of the kits must comply with the rules given above. For other cases please contact us.



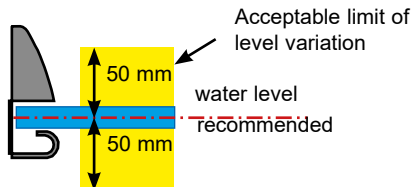
## A water level regulator is mandatory

### Insert mounted model

For concrete and panel pools



5 cm min.



VBA TF Z pozi stainless steel A4 Ø6 x 60 wood screw

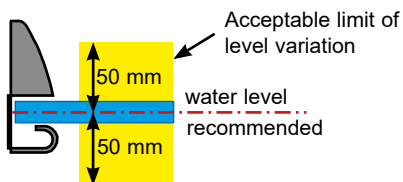
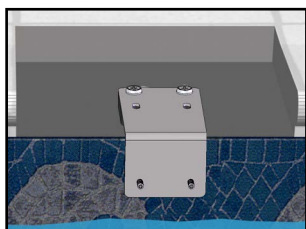
Hollow white Ø16 washer

Inserted part

Screw cap

### Hang mounted version

For concrete and panel pools



Ø8

VBA TF Z pozi stainless steel A4 Ø6 x 60 wood screw

Hollow white Ø16 washer

Hang mount support

Cale 13 mm

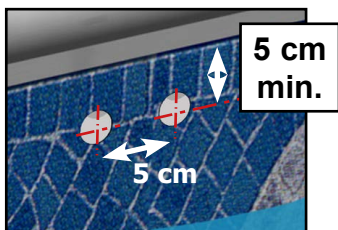
Stainless steel nut A4 M10

Ø12 Nylon plug

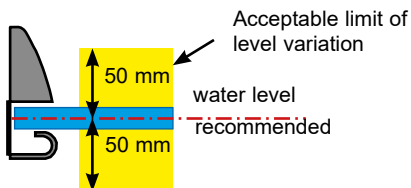
Screw cap

### Surface mounted model

For concrete and concrete block pools, as well as pools with wall thickness greater than or equal to 8 mm



5 cm min.



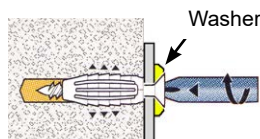
VBA TF Z pozi stainless steel A4 Ø6 x 60 wood screw

Hollow white Ø16 washer

Universal 8 x 40 plug

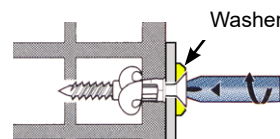
Screw cap

### Concrete



Once the resistance point has been reached stop screwing, this would deteriorate the fixture quality.

### Concrete block



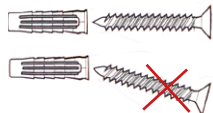
After reaching the resistance point, make 3 more turns of the screwdriver to finish tightening.



Ø8

60 mm "minimum"

Plug



# OPENING/ CLOSURE OF THE POOL

**ALWAYS KEEP AN EYE ON THE POOL DURING OPENING OR CLOSING OPERATIONS.  
ALWAYS CHECK THAT THE POOL WATER LEVEL IS CONSTANT AND COMPLIANT WITH THE  
RECOMMENDATIONS ON THE INSTRUCTIONS**

Use

- It is imperative not to halt the cover in an intermediate position, this can cause the risk of jamming a bather's body under the cover casing, if a bather uses the pool.
- When using an automatic cleaner under the cover, check that the hose does not affect the movement of the slats when opening and closing the cover.
- It is essential to remove floating objects when opening and closing the cover.
- Do not block the cover while extending or retracting.
- Do not activate the automatic cover when it is iced in.
- The opening or closure operation requires about 2 minutes for one person and about 3 minutes to lock or unlock the attachment kits.

## Opening: Always release the cover before starting the motor.

- Unlock all the fastening systems.
- Operate the open control.
- Stow the unlocking tools out of the reach of children.
- Lock the WI-Key command



## Closure:

- Operate the «contact maintained during closure» close control
- Lock all the fastener systems.
- Stow the unlocking tools out of the reach of children.
- Lock the WI-Key command



Never place products that were not designed for the purpose on slat covers, as this may warp the slats. Never leave objects on the cover (towels, buoys, etc.) because, in direct sunlight, the slats would be locally expanded and the warranty would be void. «Solar polycarbonate slats are incompatible with bromine treatments and treatments containing bromine. Do not put undiluted chemical products in direct contact with solar polycarbonate slats (e.g. algae protection products). It is essential to first carry out a test on a small surface area.»

42

## IMPORTANT

When closing the pool, it is essential to KEEP THE CONTROL PRESSED FOR AT LEAST 3 SECONDS. This is required to guarantee automatic obstacle detection the next time the cover is opened.

### LOCKING THE WI-KEY

- Press on for more than 3 seconds until the pilot flashes

= system locked

### UNLOCKING THE WI-KEY

- Press on and keep it pressed.
- At the same time: successively press the following 3 keys:
- The pilot remains on = emitter unlocked

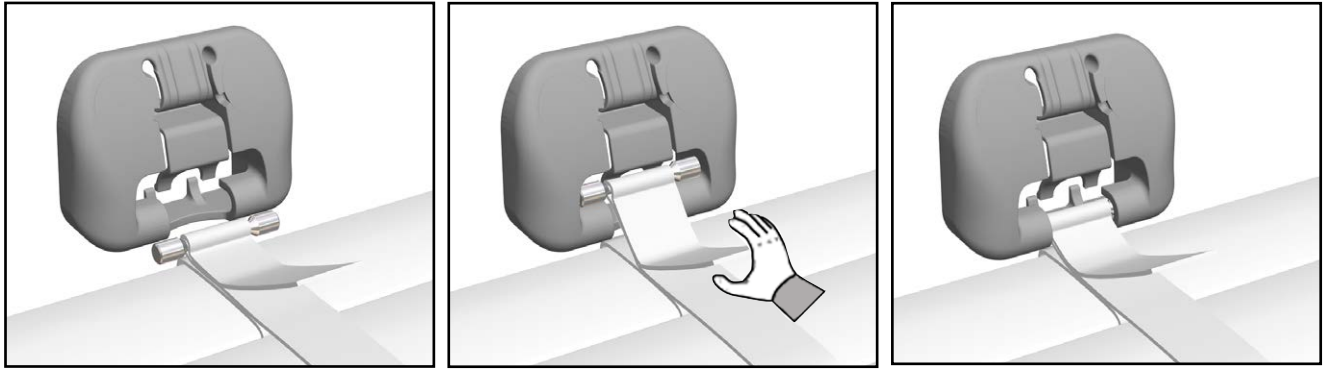
## LIGHT INDICATORS

When you press a key, the light indicators below provide information on the Wi-key status (locked/unlocked), as well as the battery charge level.

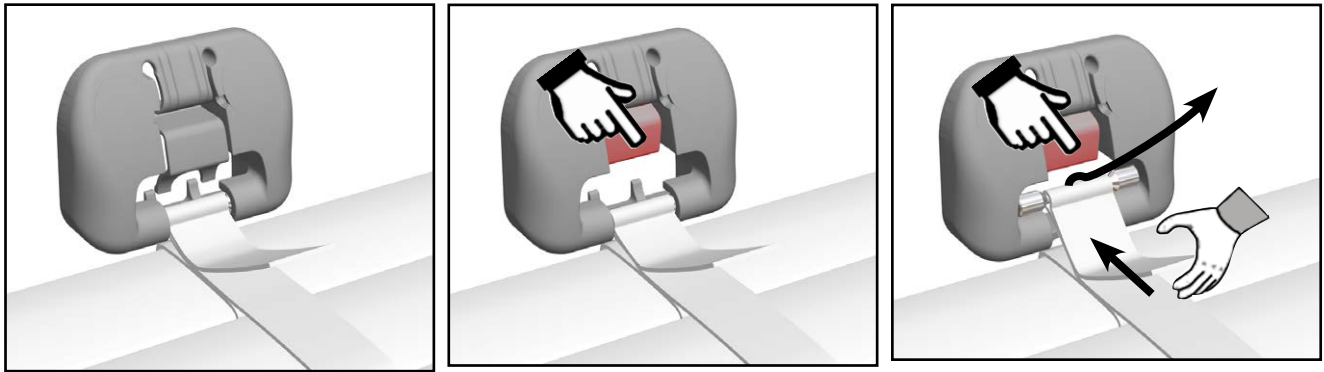
	Green LED	----->	Wi-key unlocked
	Red/green flashing LED	----->	Wi-key locked
	Orange LED	----->	Battery level low
	Red LED	----->	Change the batteries (2 x LR03)

# LOCKING AND RELEASING PUSH-LOCK

## Locking



## Releasing



## WHAT TO DO IF THE SYSTEM STOPS WHEN OPENING

### 1 - Stop due to an actual jam: (unreleased locking kits or other...)

- **Close the cover** for more than 3 seconds, until the tension of the cover is completely released. *(The next opening will remain protected by the system)*
- Remove causes of jamming, and resume opening the pool.

### 2 - In the event of an unexplained stoppage :

- Close the cover **between 1 and 3 seconds**. *(The next opening will no longer be protected by the system)*
- Open the pool again.

*If there are repeated activations, decrease the automatic switch sensitivity level.*

- *modify the "Trigger sensitivity" parameter.(see page 45)*

**The use of the automatic cover when the automatic switch is in "deactivated" mode can cause serious damage to the motor, the electric control box, the slats and also void the warranty.**

## MEANING OF THE LEDS ON THE AUTOMATIC SWITCH

card	activated		Test	O	C		Flashing LED
		Opening, control in progress					
		Opening without control					
		Closure					
		Protection ON					
card	deactivated		Test	O	C		Permanent LED

## DL6010 CONTROL BOX LED MEANINGS

	Flashing LED		Permanent LED		Flashing LED		Permanent LED
--	--------------	--	---------------	--	--------------	--	---------------

CAPTEUR		<b>Initialisation</b> <i>LEDs flash alternately</i>
DEFAULTS		

CAPTEUR		<b>The motor is running</b> <i>regular slow flashing</i>
DEFAULTS		

CAPTEUR		<b>Sensor fault</b> (check connections and cables) <i>permanently on</i>
DEFAULTS		

CAPTEUR		<b>Electronic fault</b> (check connections and cables / return to the factory) <i>fast flashing</i>
DEFAULTS		

CAPTEUR		<b>Software fault</b> (reprogram the automatic stops) <i>Permanently on</i>
DEFAULTS		

## POOL WATER LEVEL

- In order to ensure the correct operation of the roller, always check that the pool water level is constant and compliant with manufacturer recommendations.  
(the use of a water level regulator is mandatory)
- If the water level is too high, it might come from leaves in the skimmer.
- If the water level is too low there is a risk of jamming.
- In case of hand rails, the pool must be equipped with a water level regulator.

## FILTERING

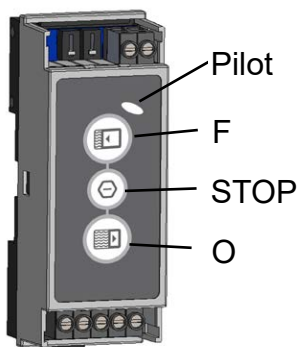
- Programme filtering during sunlight periods and operate it permanently as soon as the water reaches 25°C.

## CLEANING (USER'S RESPONSIBILITY)

- Clean your cover fully twice a year (start of season and wintering). This is even more important if you have hard water. If this is the case, use a high pressure cleaner with warm water and a descaling product (see DEL catalogue).  
The slats must only be cleaned using clear water or neutral detergents.  
Especially avoid using alkaline (basic) or acid cleaning products.  
Do not use abrasive products or equipment to clean, this could cause scratches. If necessary make a test on a small area of the cover that is not visible.
- Take the same care to regularly clean the locking systems for optimum operation.
- It is advisable to inspect the whole system in the event of abnormal strain on the cover (eg. somebody falling)
- Check the straps annually

**Pairing -- delivered pre-paired**

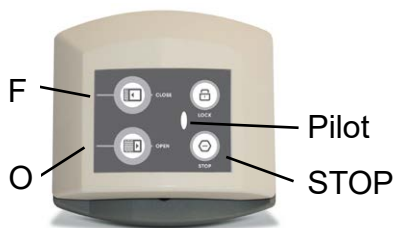
**1** receiver



Press «STOP» and, without releasing it, press «O» for more than 3 seconds  
OK when the «pilot» flashes green.

an emitter must be paired within the next 30 seconds.

**2** emitter



Press «STOP» and, without releasing it, press «O» for more than 3 seconds  
OK when the «pilot» flashes red / green.

another emitter must be paired within the next 30 seconds.

**46**

**Replacing the batteries**



Be careful of the seal when re-assembling

	Receiver	Emitter
Manufacturer	DEL	DEL
Reference	Wikey receiver	Wikey emitter
Category	3 (EN 300220-1)	3 (EN 300220-1)
Range	50m in an obstacle-free zone	50m in a free zone
	25m through a concrete wall	25m through a concrete wall
Power supply	12 to 48 VDC 30mA max	Two 1.5V AAA batteries
Protection index	< IP40	< IP54

## MAINTENANCE

- All work must be carried out by a professional who will contact the manufacturer if necessary. (Contact details on the back of the document)
- All spare parts must be original.
- Inspect the whole cover for damage/wear and tear.
- At the beginning of each season and in the case of accidents (falls or hail on the cover, abnormal strain on the cover, etc.) check that the slats do not have any visible deterioration that could impact the operation of the cover (cracked, punctured, bent slats etc.). Change the slats or the whole cover if necessary.
- In both summer and winter, do not cover the slats with an opaque cover. There is a risk of damage due to excess heat.
- Check the straps (seams) and the anti-abrasion sheath.
- Once a year, check the electrical connections.
- - The «witness» flashes RED = change the control box battery

## WINTERING

- Winter the pool depending on its geographic location.
- Close the cover.
- Wintering the gear motors:
  - Close the cover in the safety position.
  - Take the motor off, grease the stainless steel shaft and store it in a dry, ventilated room.
  - Switch the mains supply off (control panel and circuit breaker)
- We recommend you install the IVERNEA winter shield to protect the cover from UVs and dirt

**DEAR CUSTOMERS,  
THANK YOU FOR CHOOSING A DEL AUTOMATIC COVER.  
PLEASE READ THE INSTRUCTIONS BELOW CAREFULLY.**

**·POOLS CAN BE A SERIOUS DANGER FOR CHILDREN. DROWNING CAN HAPPEN QUICKLY.**

## **S A F E T Y A D V I C E**

**WHEN CHILDREN ARE AROUND THE POOL THIS REQUIRES YOUR CONSTANT VIGILANCE AND ACTIVE SUPERVISION, EVEN IF THEY CAN SWIM.**

**LEARN LIFE SAVING TECHNIQUES.**

**REMEMBER AND POST THE EMERGENCY SERVICE NUMBERS CLOSE TO THE SWIMMING POOL.**

- FIRE BRIGADE: 18 (IN FRANCE) OR 112 FROM A CELL PHONE
- AMBULANCE : 15 (IN FRANCE)
- POISON CENTRE:

**·THIS COVER IS NOT A SUBSTITUTE FOR COMMON SENSE NOR FOR PERSONAL LIABILITY. THE PURPOSE OF THIS COVER IS NOT TO REPLACE THE VIGILANCE OF PARENTS AND/OR RESPONSIBLE ADULTS WHICH REMAIN THE ESSENTIAL FACTORS FOR THE SAFETY OF YOUNG CHILDREN.**

**·COMPLY WITH THE WATER HEIGHTS DEFINED BY THE MANUFACTURER.**

**·THE COVER MUST SYSTEMATICALLY BE CLOSED DURING ALL ABSENCES FROM HOME, HOWEVER SHORT.**

**·MAKE SURE THERE ARE NO BATHERS OR FOREIGN BODIES IN THE POOL BEFORE AND DURING CLOSING.**

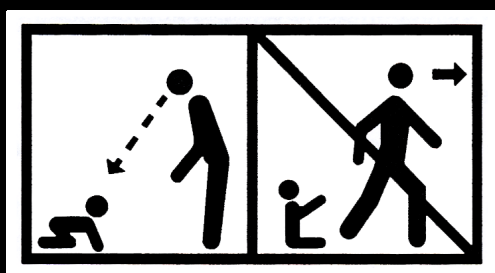
**·PLACE THE NECESSARY TOOLS TO OPEN THE COVER OUT OF THE REACH OF CHILDREN (THE KEY FOR EXAMPLE)**

**·THE OPENING ACTION OF THE MECHANISM SHOULD ONLY BE UNDERTAKEN BY A RESPONSIBLE ADULT.**

**·IT IS FORBIDDEN TO CLIMB ONTO, WALK ON, OR JUMP ON AN AUTOMATIC COVER.**

**·A CHILD CAN DROWN IN UNDER 3 MINUTES, NO TYPES OF PROTECTIVE MEASURE CAN REPLACE SUPERVISION AND VIGILANCE BY A RESPONSIBLE ADULT.**

**·THE PHYSICAL PRESENCE OF A RESPONSIBLE ADULT IS ESSENTIAL WHEN THE POOL IS OPEN.**



**SWIMMING POOL BUILDER**

**ZA La basse croix rouge 35530 Brécé - FRANCE - tel : + 33 (0)2 99 370 370**