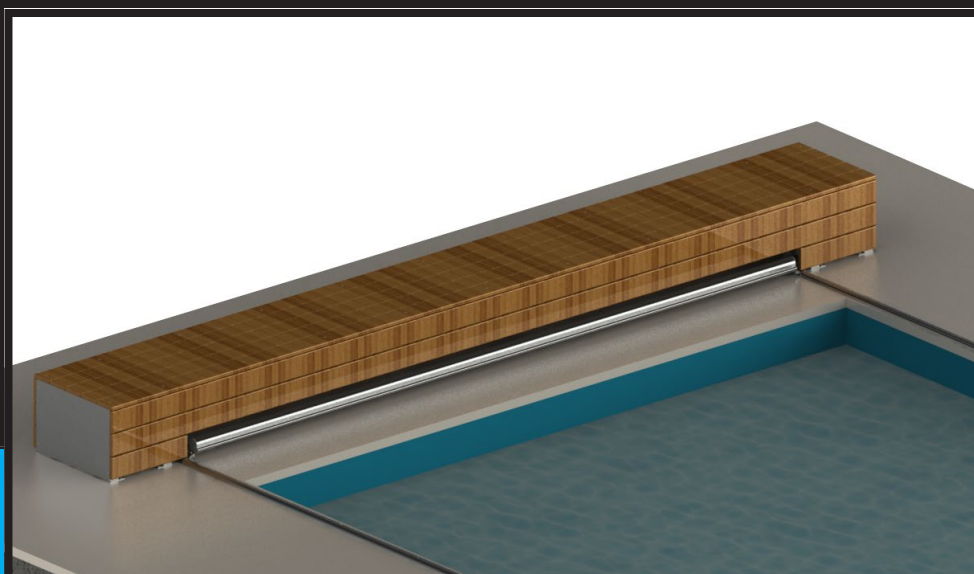


AUTOMATIC SAFETY COVER

ultima

COVER



NF P 90-308 standard compliant

ABOVE-GROUND VERSION
EMBEDDED / SCREWED RAILS

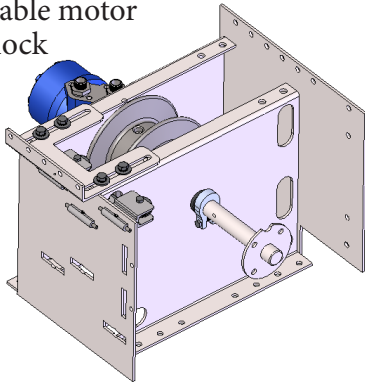
Technical manual

Installation / Use / Care / Maintenance / Safety advice

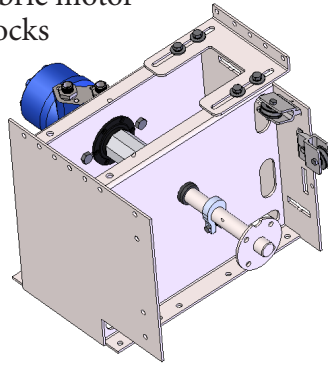
FIJA Group



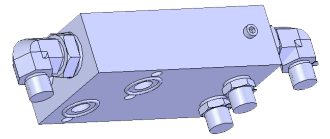
Cable motor block



Fabric motor blocks



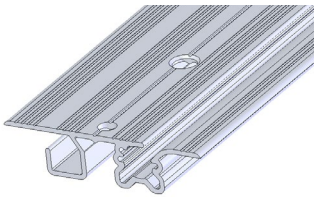
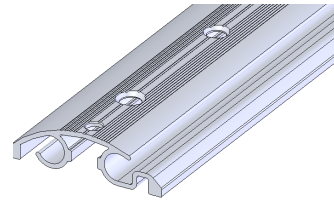
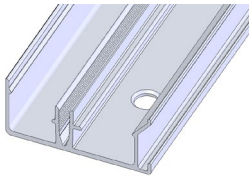
Motor valve



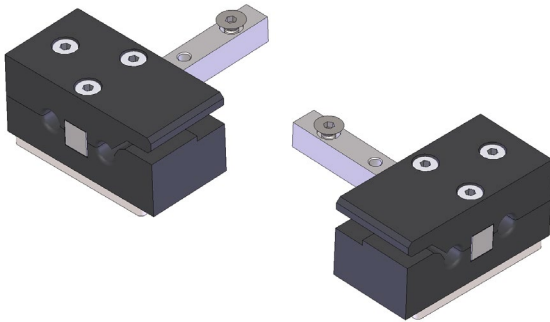
Embedded rail



Screwed rail



Left and right clamps



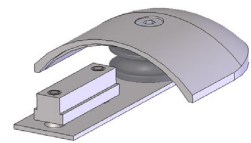
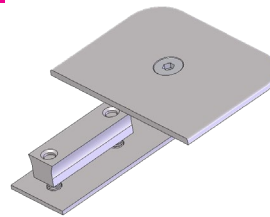
Pulley



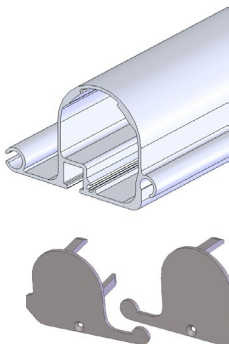
embedded version



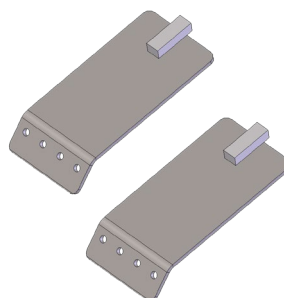
screwed version



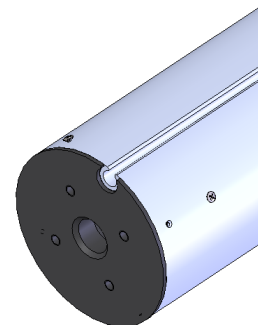
Head bar



Head bar plate



Roller tube



Hydraulic system



Oil



Hoses



Keep the stoppers in place till last moment. Sensitive to impurities.

Control box



Option:
STOP SEL Box



Boitier de commande

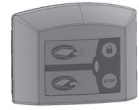


ou

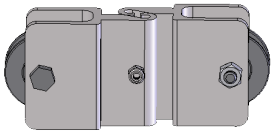


ou

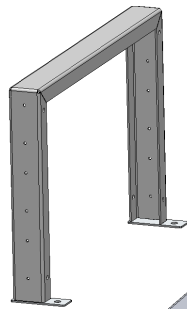
Wi-key



Balancing pulley

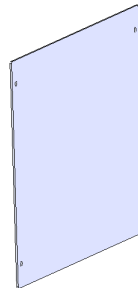


Frame arch



x4

Frame door



x2

Fabric + skirt



Rustproof spray



Drainage pump



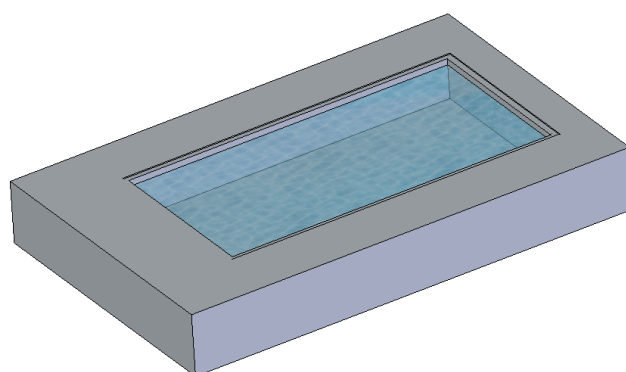
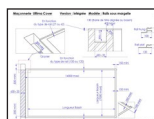
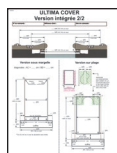
This manual must be given to the user after installation

PLEASE READ CAREFULLY AND KEEP IN A SAFE PLACE FOR FUTURE USE

The installation recommendations in the manual must be followed for the installation to be compliant

Checking the pool size

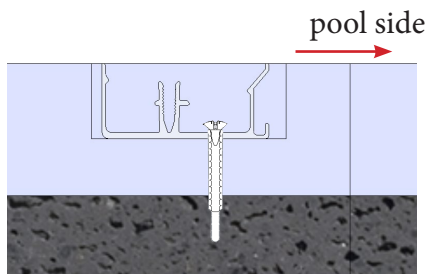
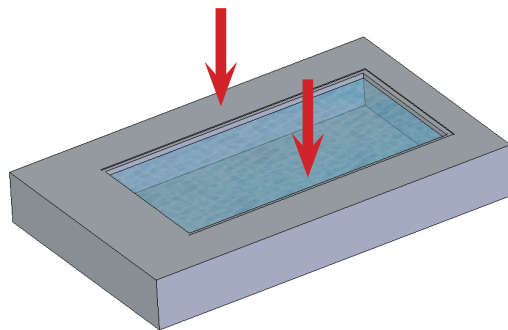
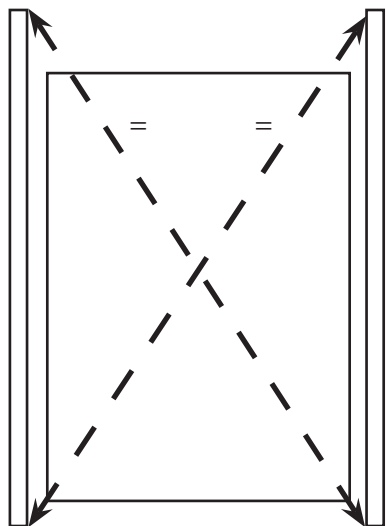
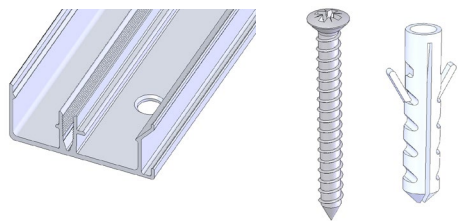
Use the "Purchase order" and "Masonry" sheets that are contained in the fabric pack and check all the measurements before beginning to install.



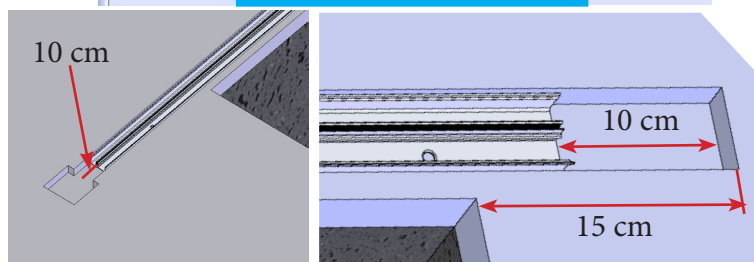
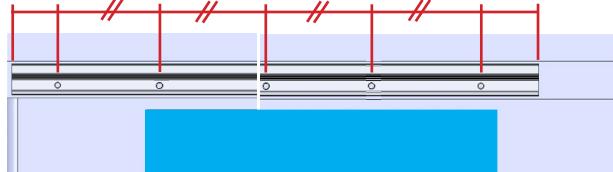
Rail installation

 screwed version

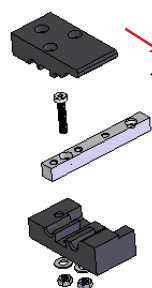
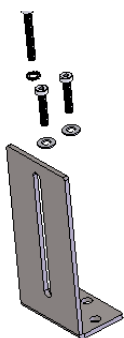
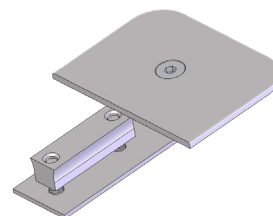
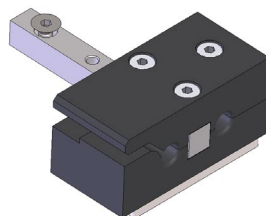
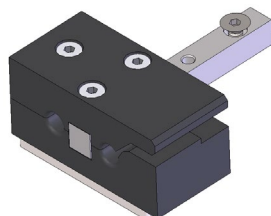
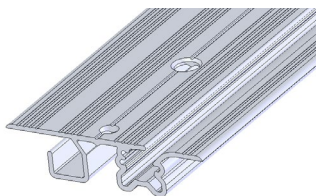
Attach lower rails



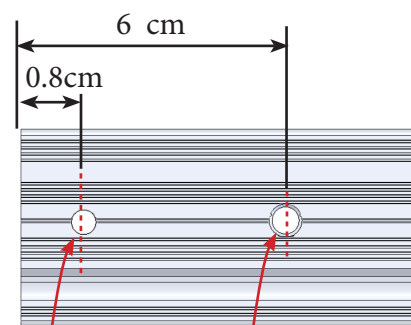
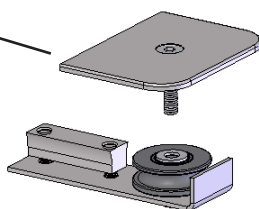
10 cm 60 cm max 10 cm



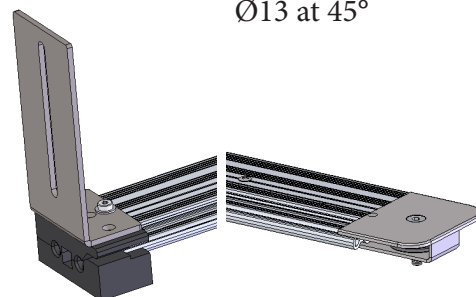
Assemble the upper rails



pool side

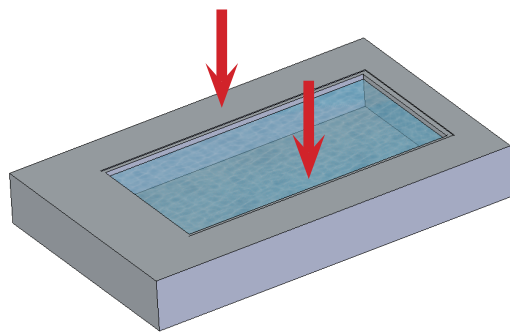
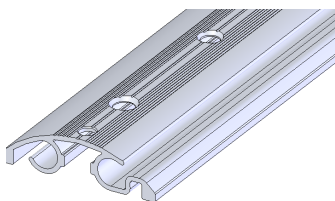


Ø8 Ø9
Counter-sinking
Ø13 at 45°

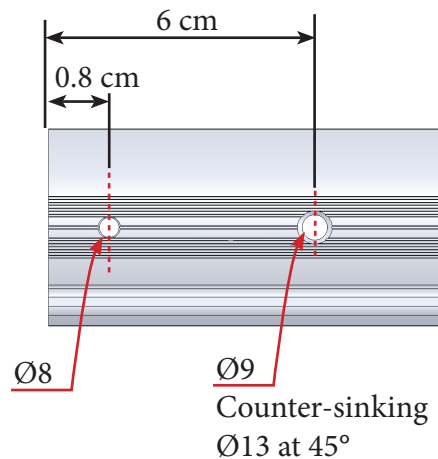


Rail installation

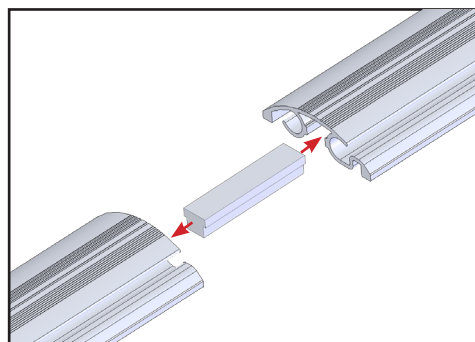
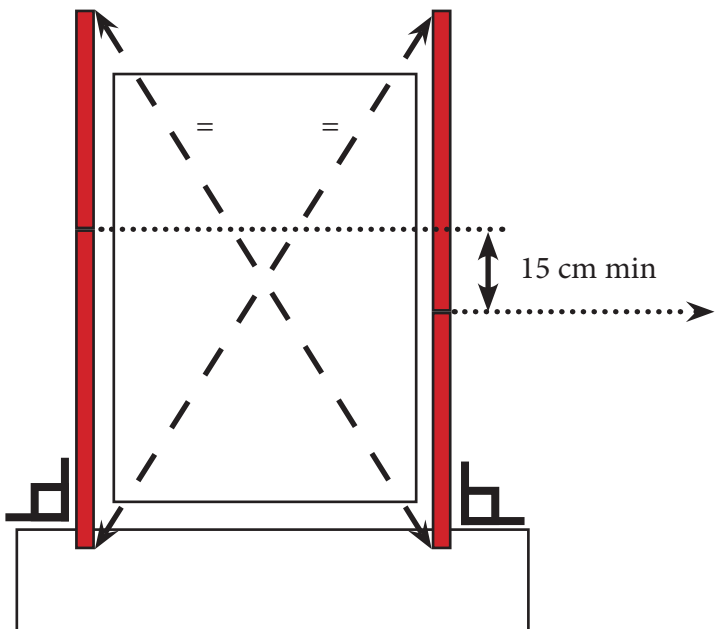
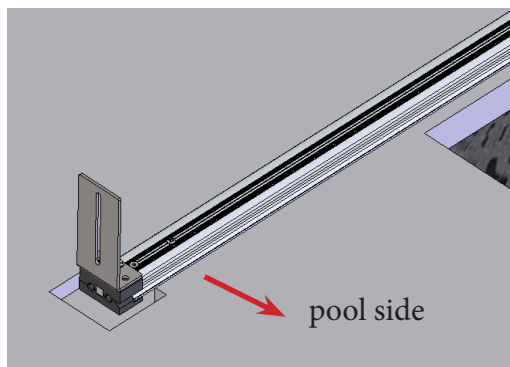
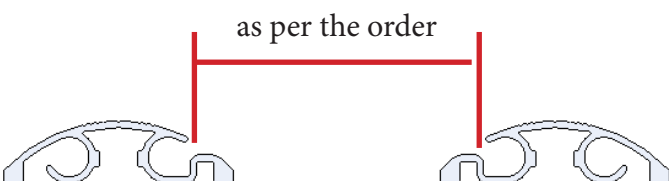
screwed version



Assemble the rails

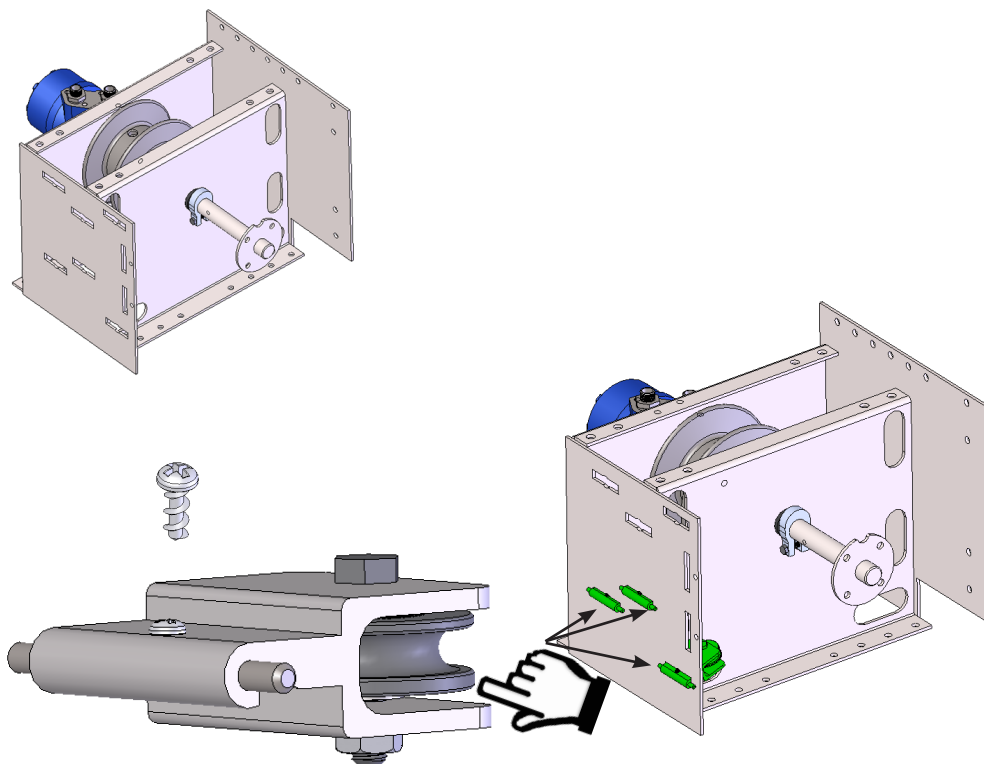


Place in position without attaching

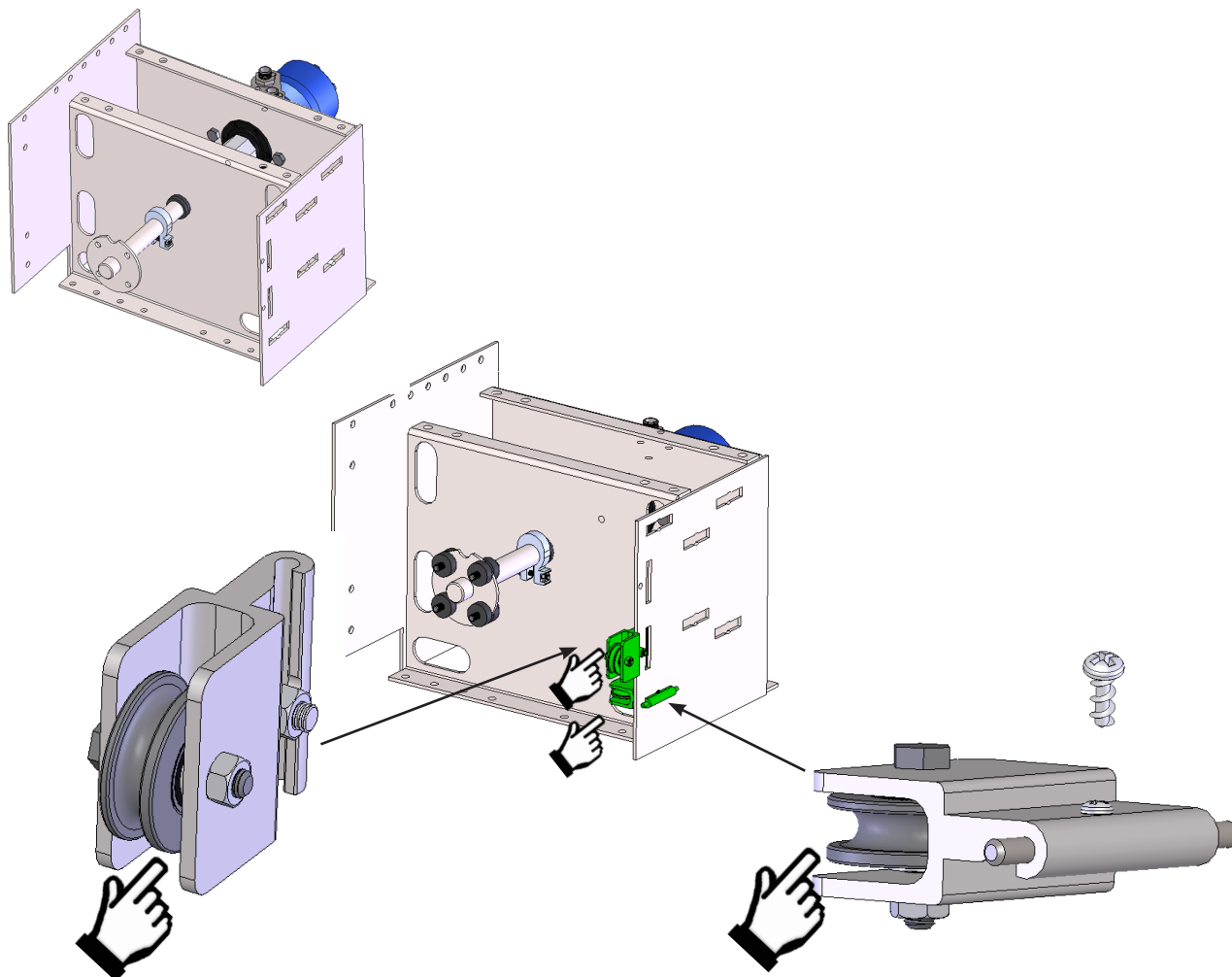


Preparation of the motor blocks

Cable motor block

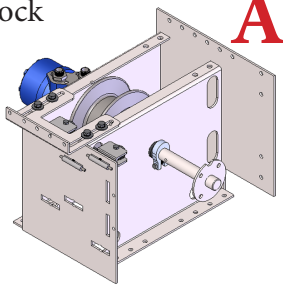


Fabric motor blocks



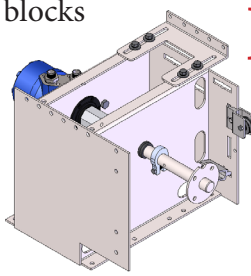
Installation of the motor blocks

Cable motor block

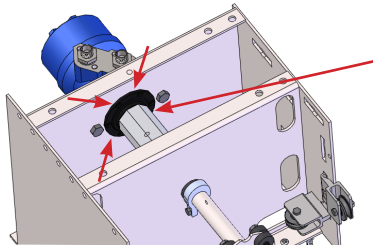


A

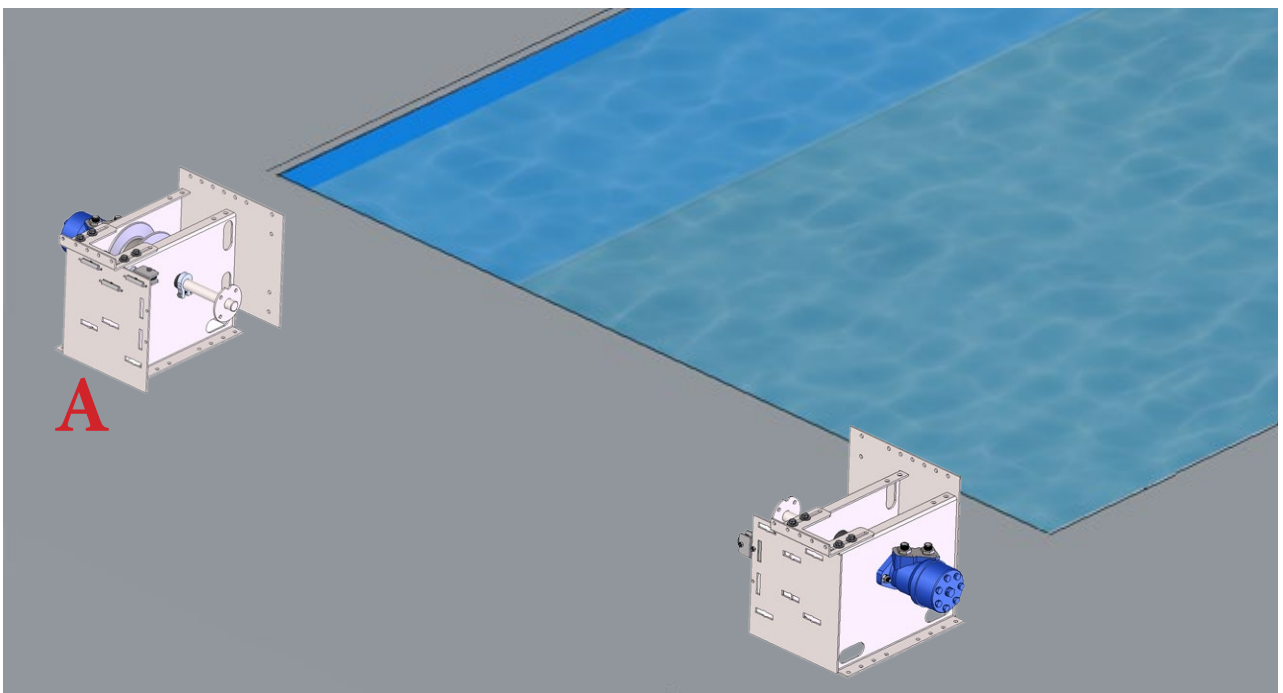
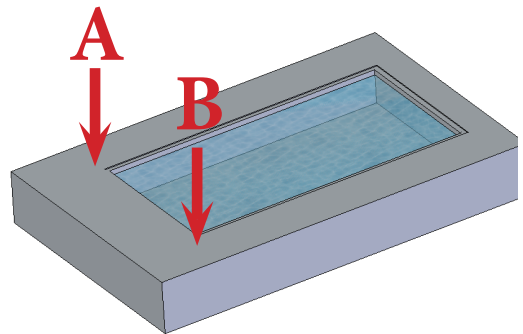
Fabric motor blocks



B

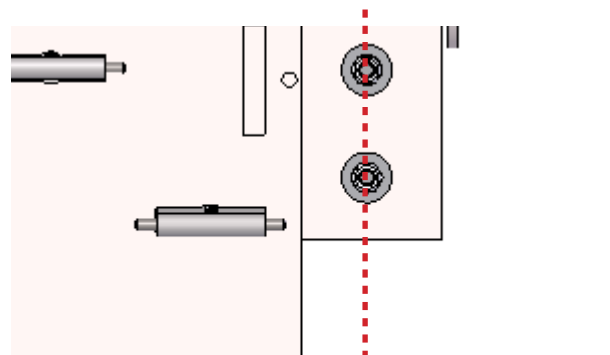
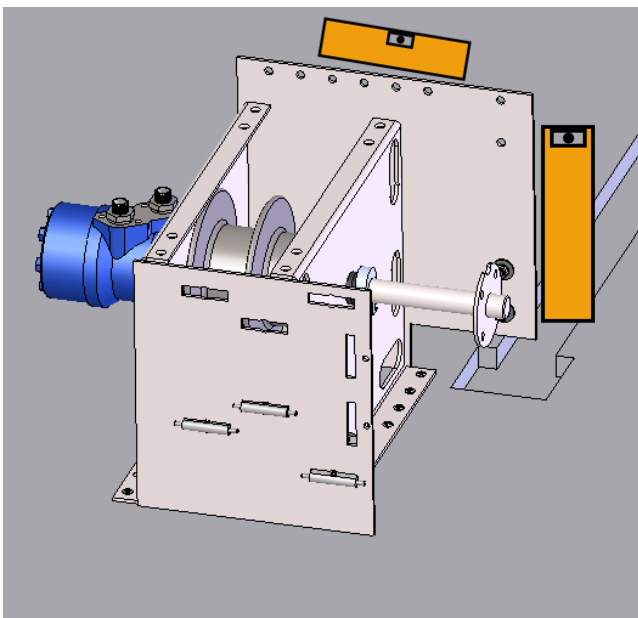


mettre de la graisse
ou
le traitement anti-rouille en OPTION



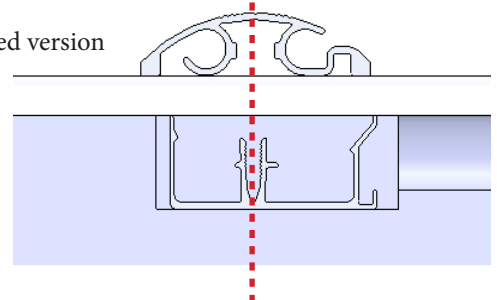
8

Levelling

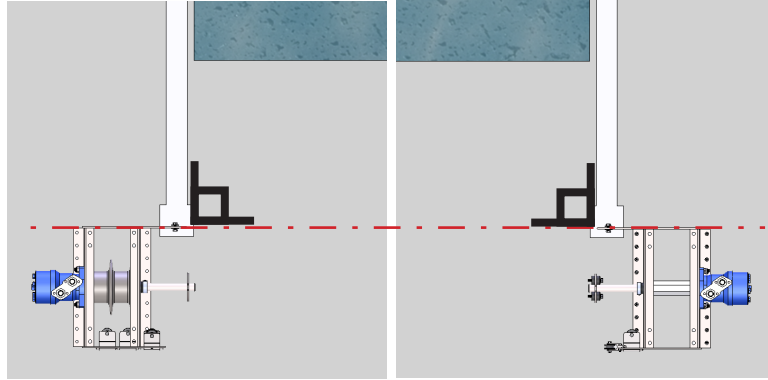
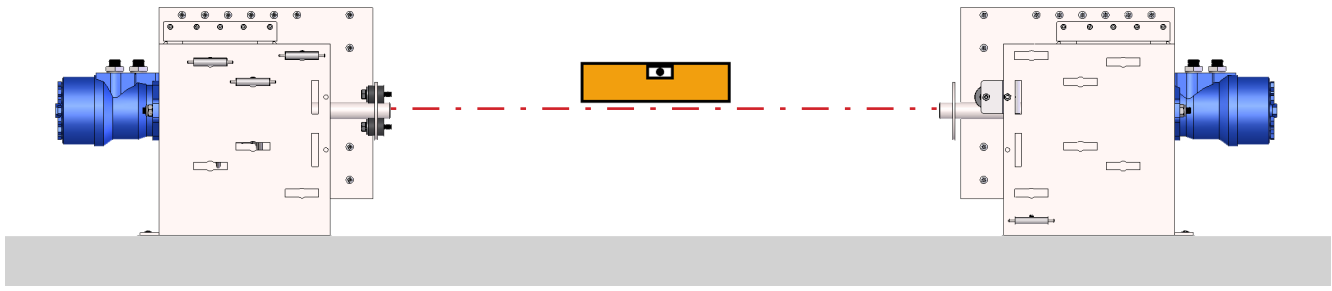


screwed version

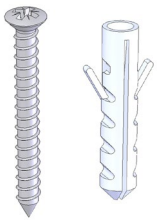
embedded version



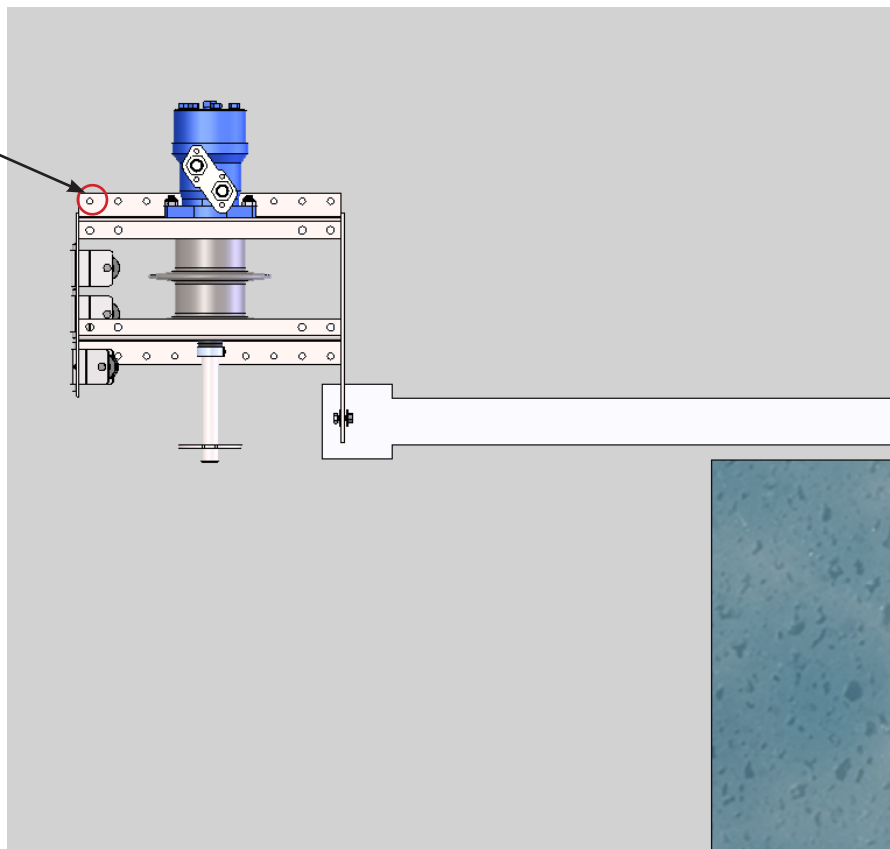
Check the alignment



Fixture

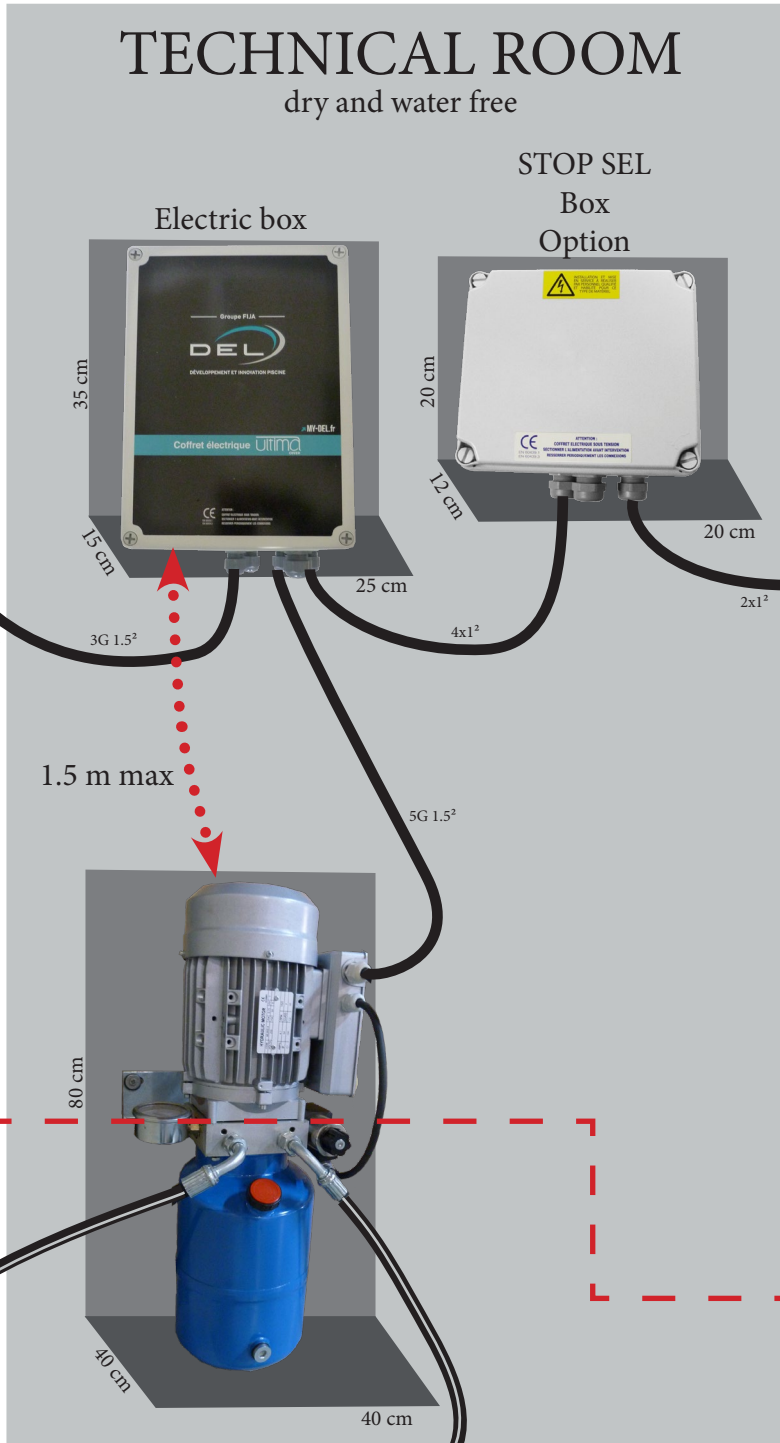


x10



Electric and hydraulic installation / wi-key

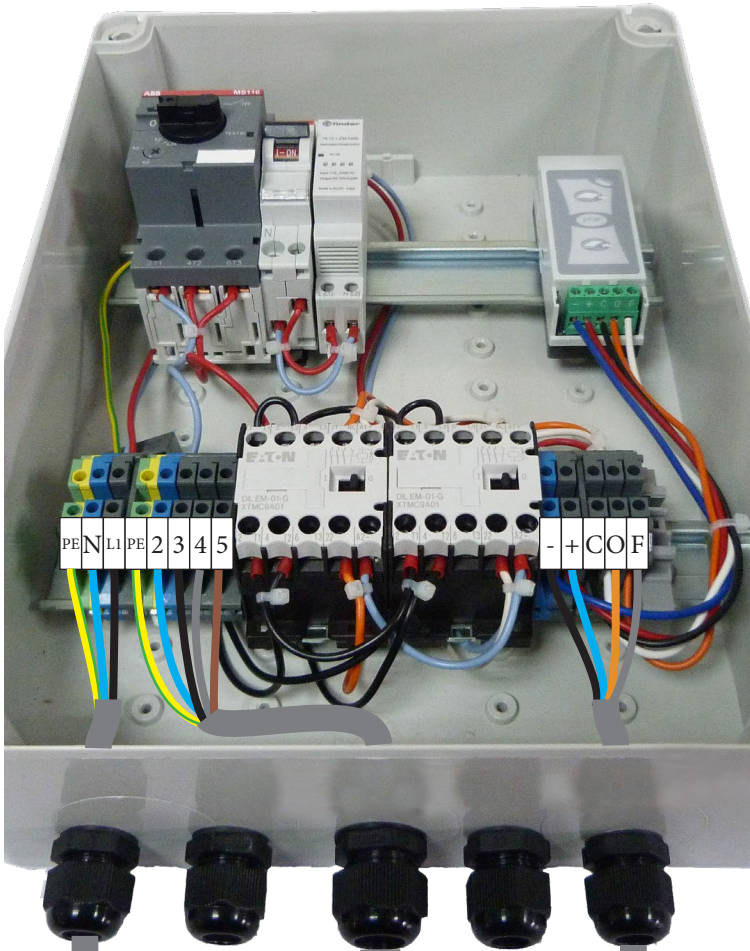
The installation must comply with the C15-100 standard in France (last applioprope version)



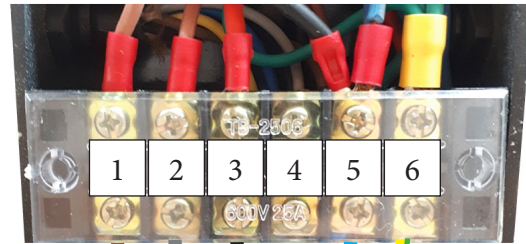
Its location must allow you to see the pool during its use

Keep the stoppers in place till last moment. Sensitive to impurities.

Electric box



Hydraulic system



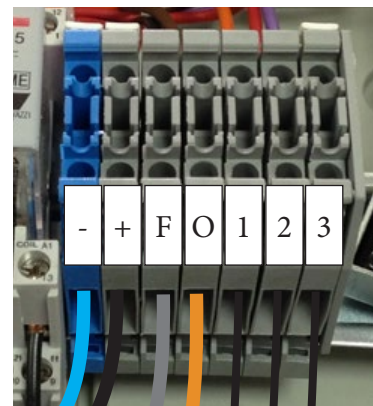
5G 1,5²

Power supply
230 Volts single
phased 50 Hz
10 A min.

Circuit breaker
with a 30 mA
ground fault
protection

3G 1,5²

Option
Salt stop Box



Salt electrolysis system

Connect 2 or 3 depending on
your salt electrolysis system
specifications.

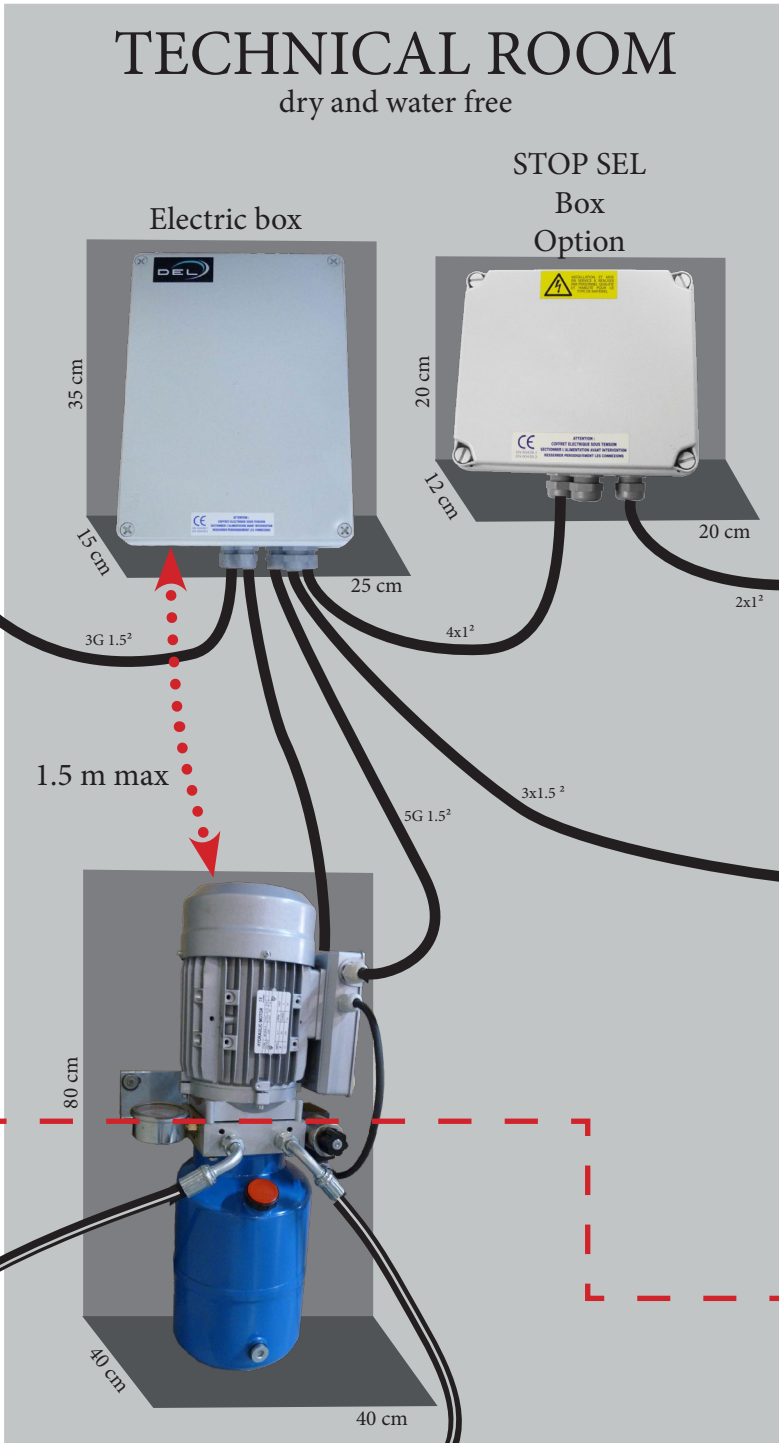
Electric and hydraulic installation / key switch

The installation must comply with the C15-100 standard in France (last appliroppe version)

TECHNICAL ROOM dry and water free

Power supply
230 Volts
single phased
50 Hz 10 A
min.

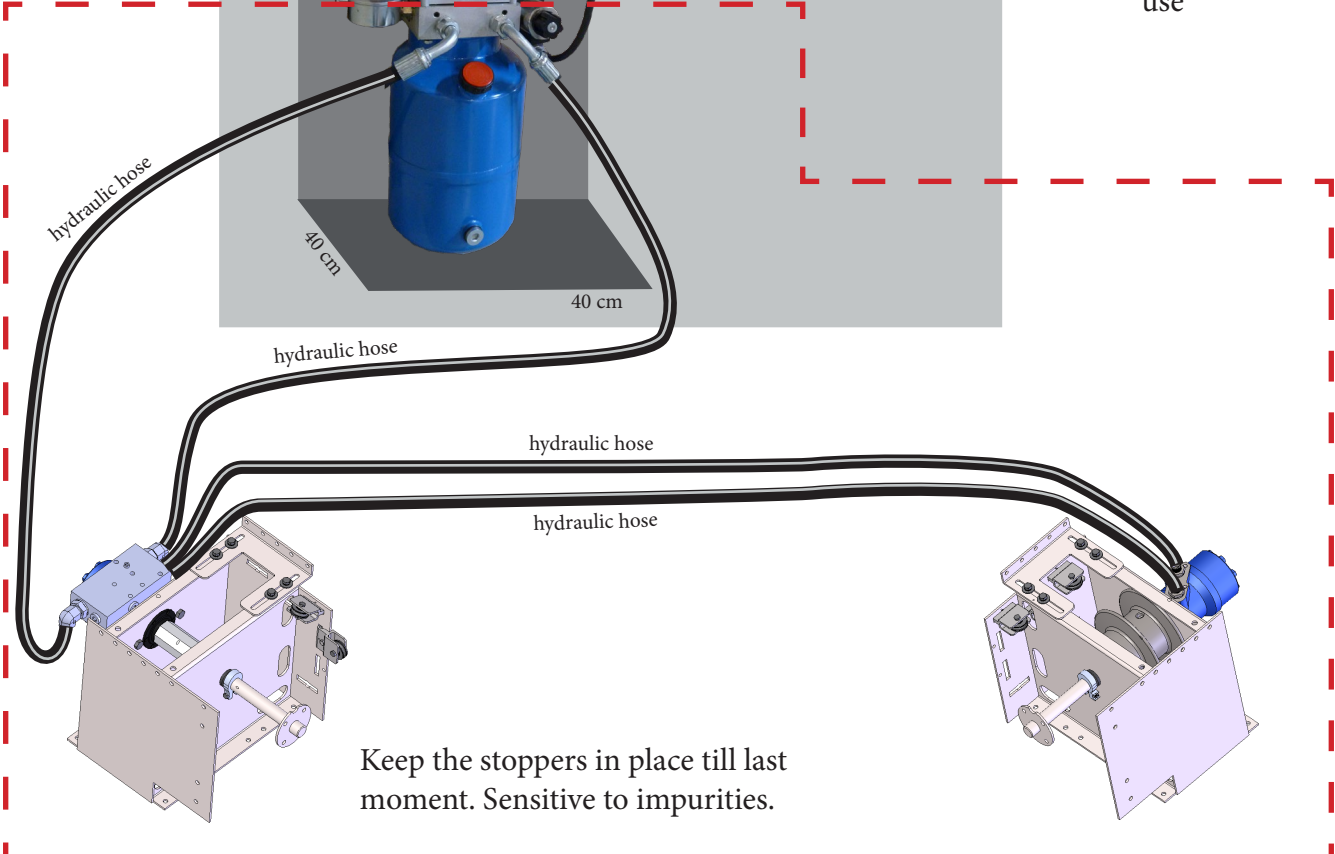
Circuit breaker
with a 30 mA
ground fault
protection



Salt electrolysis system

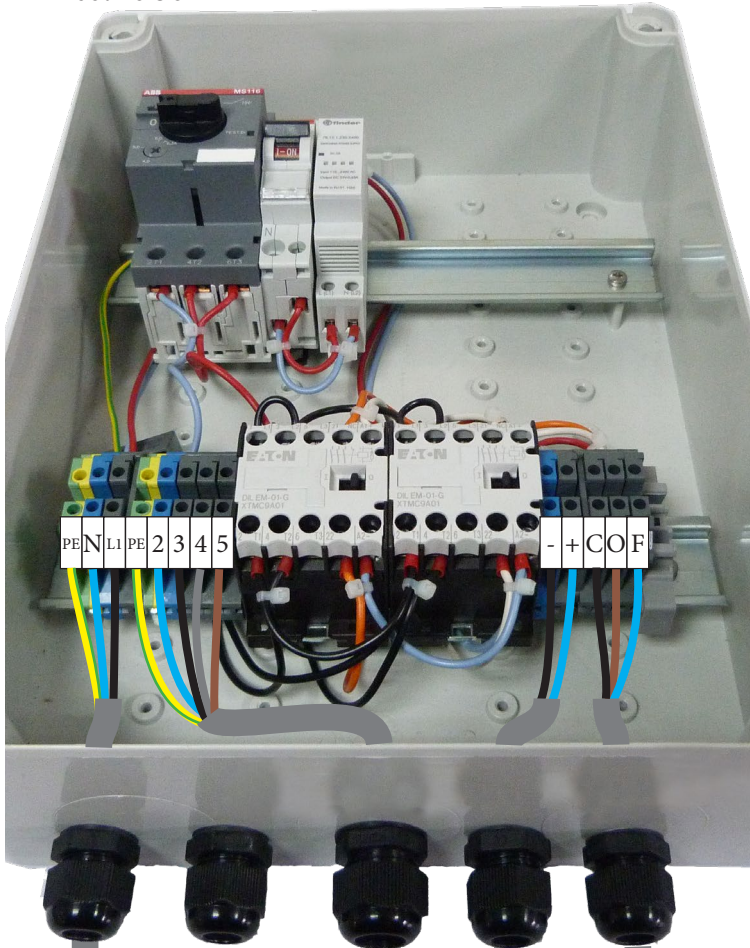


Its location must allow you to see the pool during its use

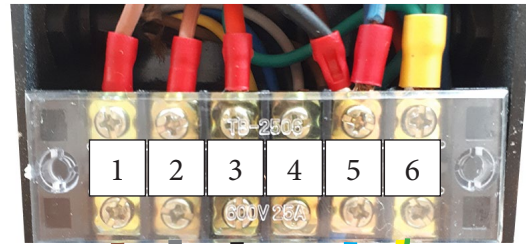


Keep the stoppers in place till last moment. Sensitive to impurities.

Electric box



Hydraulic system



Power supply
230 Volts single
phased 50 Hz
10 A min.

Circuit breaker
with a 30 mA
ground fault
protection

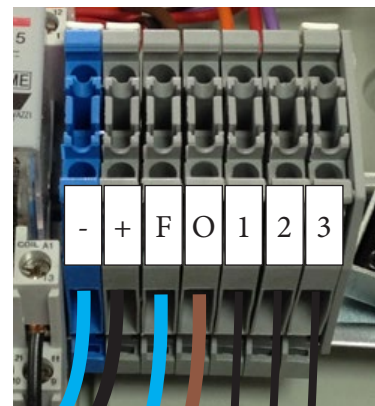
3G 1,5²

5G 1,5²

3 x 1,5²
2 x 1,5²

Boitier à clé 3
positions

Option
Salt stop Box



2 x 1,5²

Salt electrolysis system

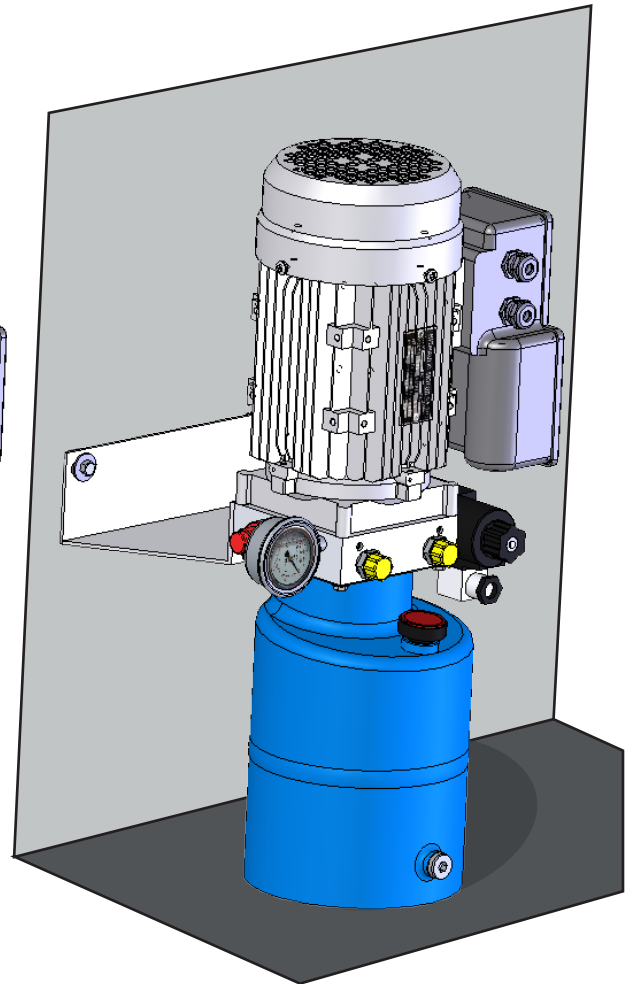
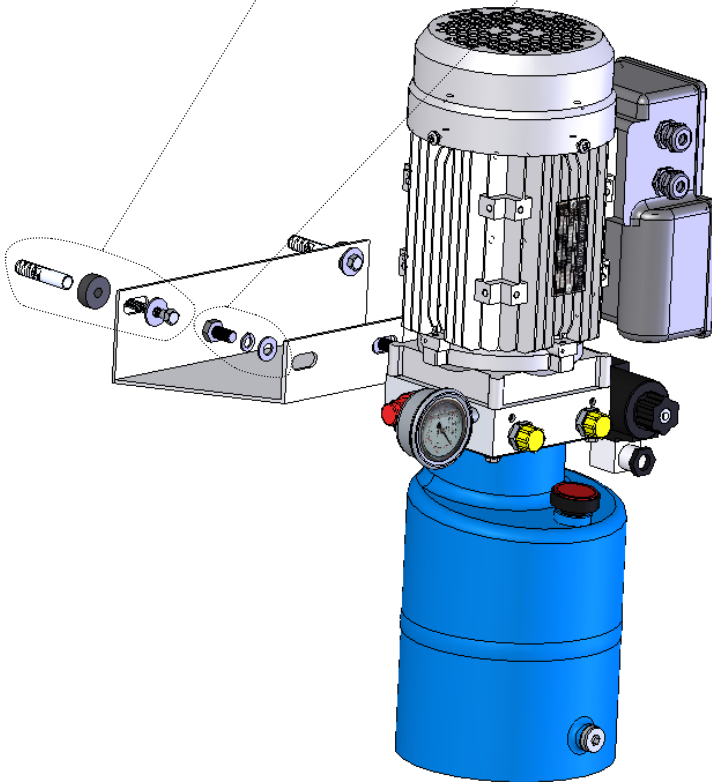
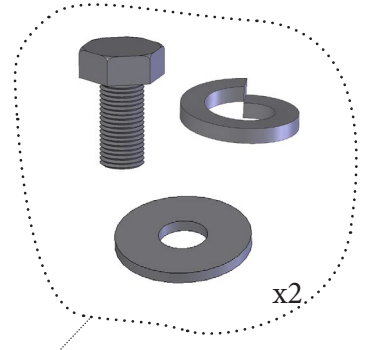
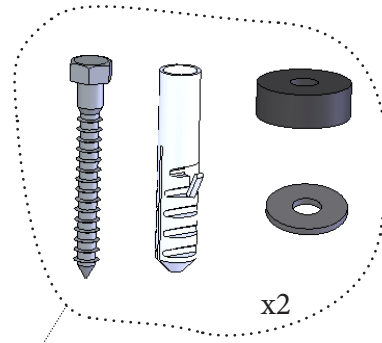
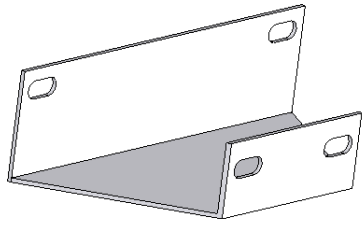
Connect 2 or 3 depending on
your salt electrolysis system
specifications.



Preparing the hydraulic system

in the dry and water-free technical room

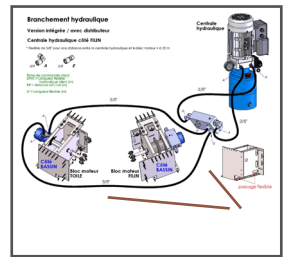
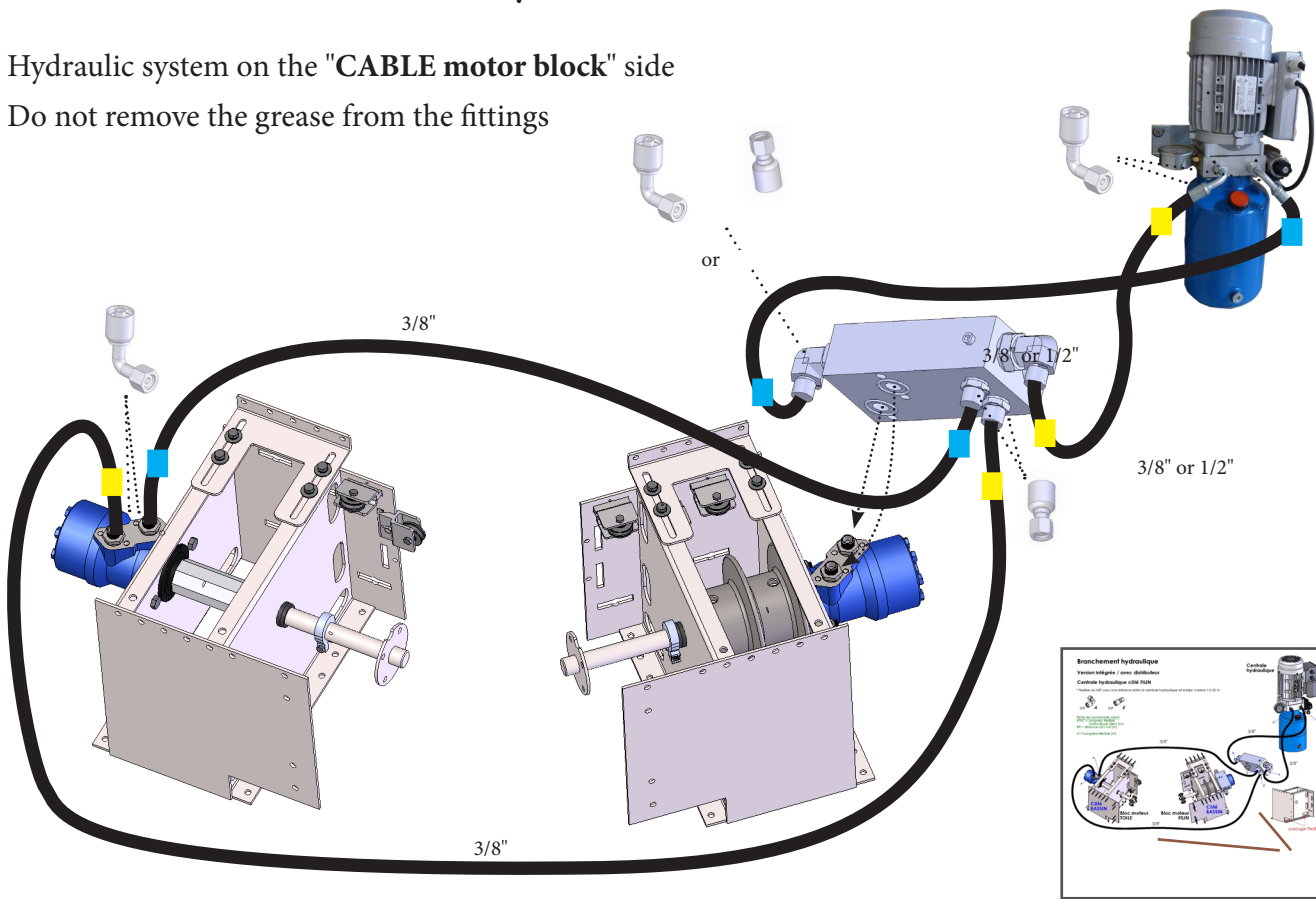
System fixture



Hydraulic connection

Hydraulic system on the "CABLE motor block" side

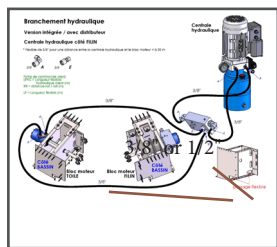
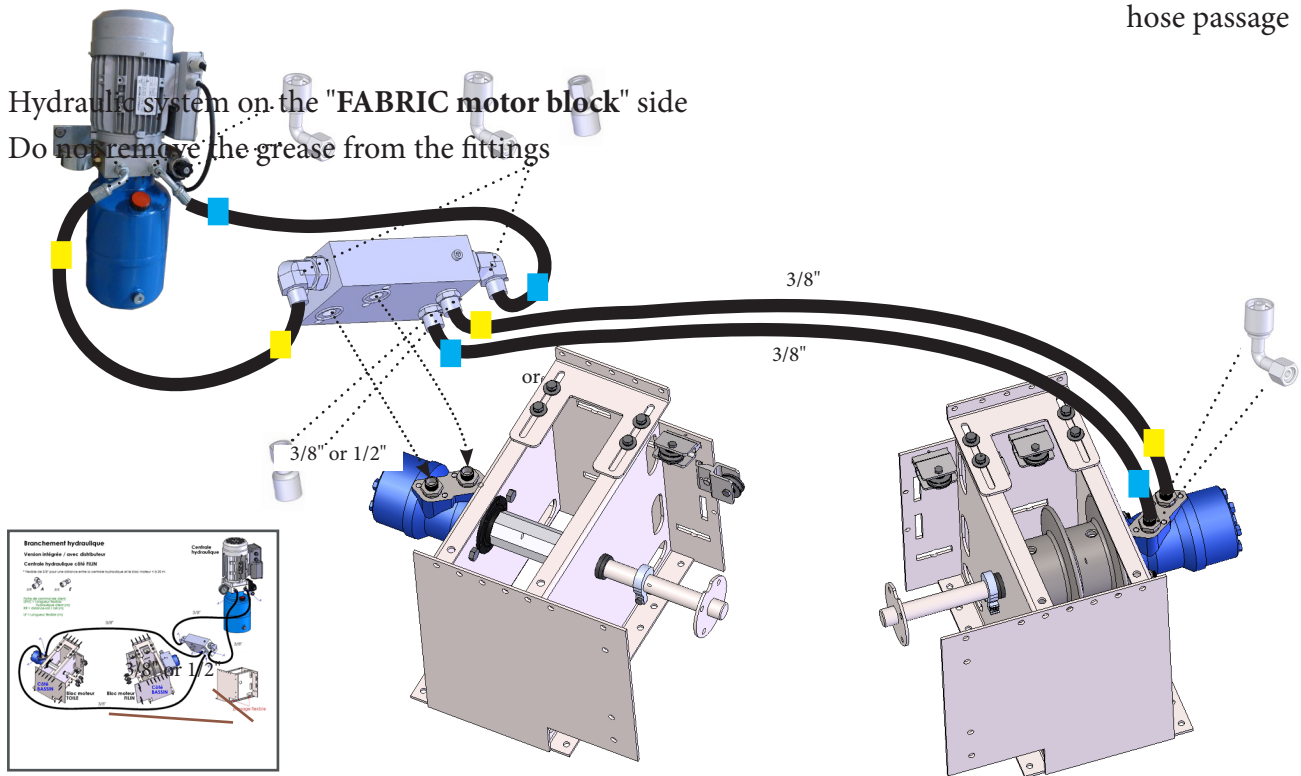
Do not remove the grease from the fittings



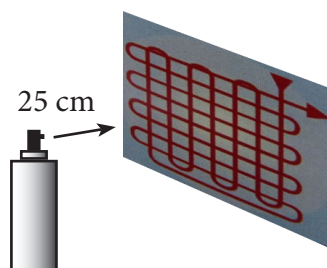
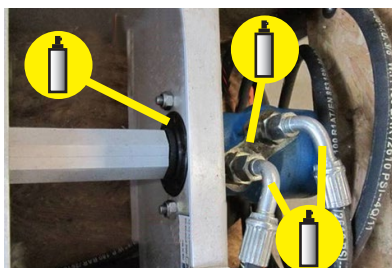
hose passage

Hydraulic system on the "FABRIC motor block" side

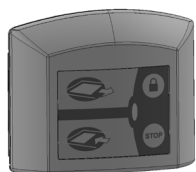
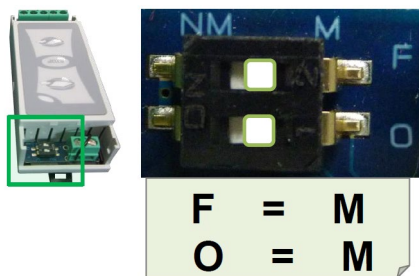
Do not remove the grease from the fittings



hose passage



Wi-key installation



red / green flashing = emitter locked
 Emitter unlocking procedure see «page 33»

The emitter must be located outside volume 0.

The distance between the emitter and the receiver must not exceed:

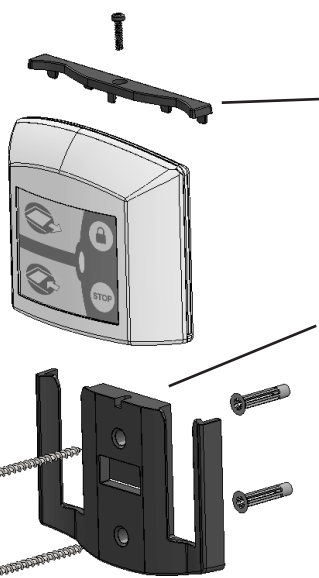
- 50 m in an obstacle-free zone.
- 25 m behind a basic wall.
- 15 m behind several walls or an especially thick wall.

We recommend checking emitter/receiver communication before fixing permanently.

16

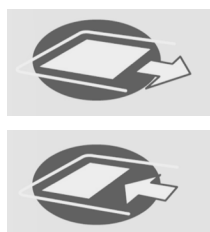
Closure

Keyboard lock

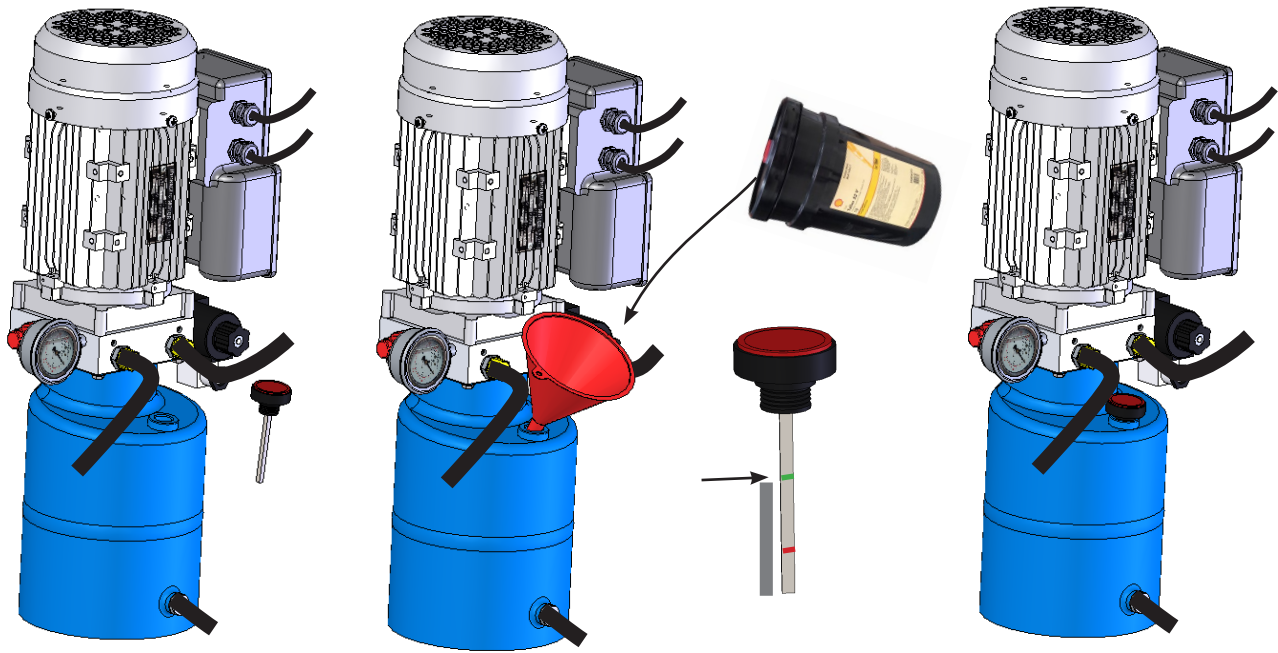


- It must be located in a place from which it is possible to check that no one enters the pool during the manoeuvre.
- It is mandatory to install the locking "strip".

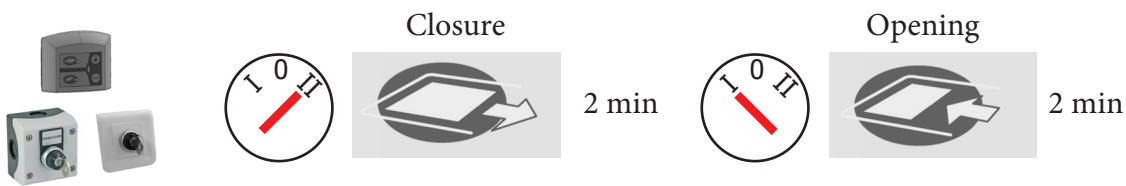
The support must be fixed to a permanent support



Oil filling and level check

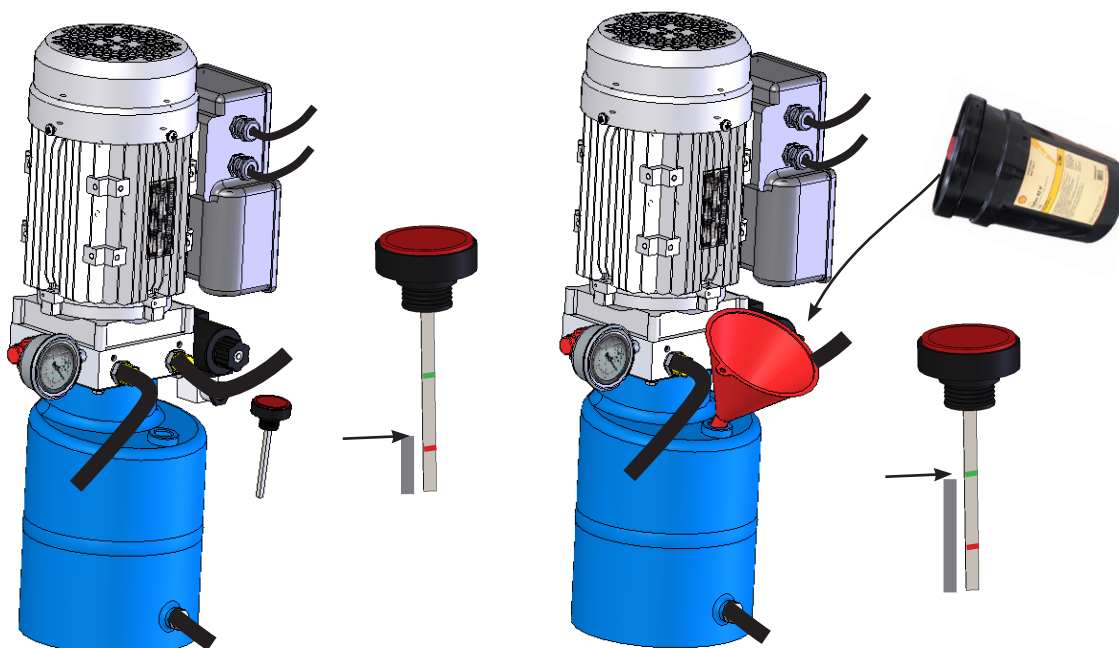


Operate the mechanism for 2 minutes in "Open" mode and 2 minutes in "Close" mode



Check each fitting for oil leaks

Check the oil level

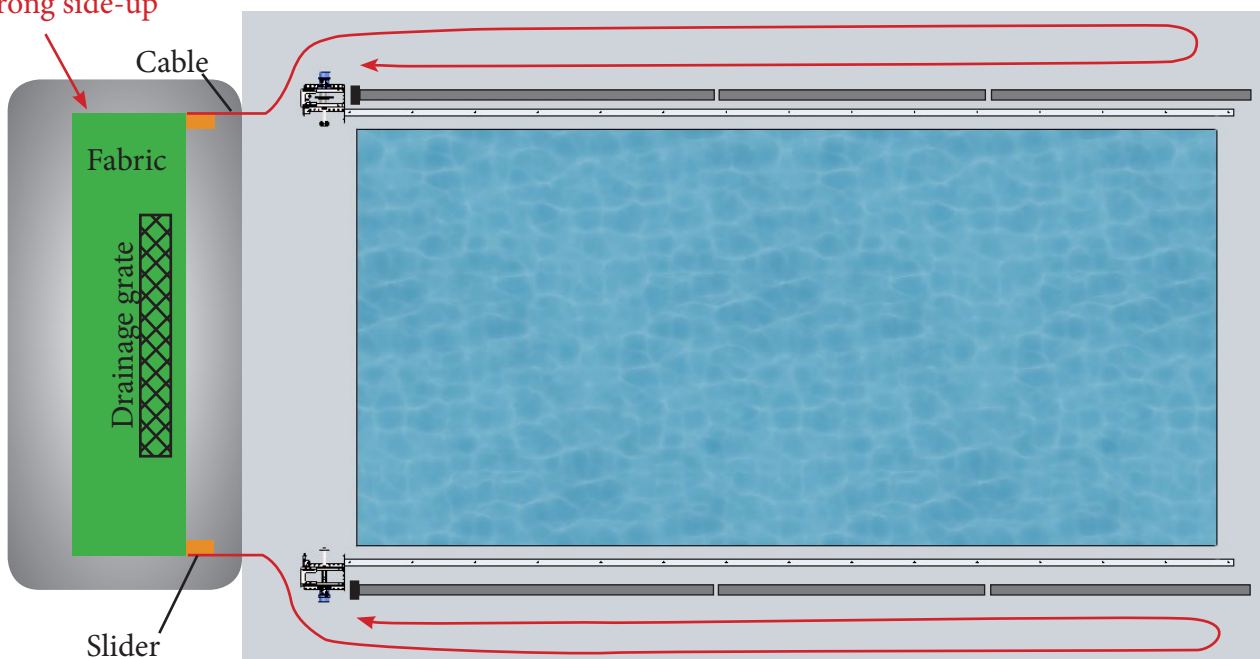


Placing the fabric at the pool side

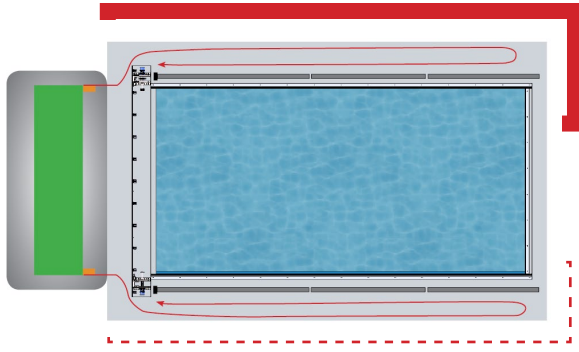


Unfold the fabric on the box side (place protection underneath it to avoid soiling it) and unroll the cables along the length of the pool.

Be careful not to place the fabric wrong side-up



Installing the cable in the Cable guide rails

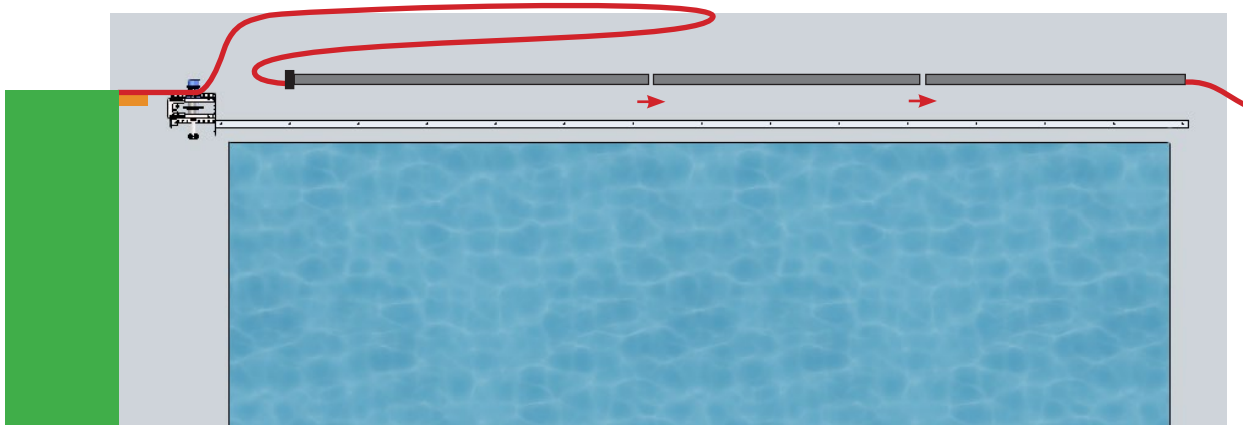
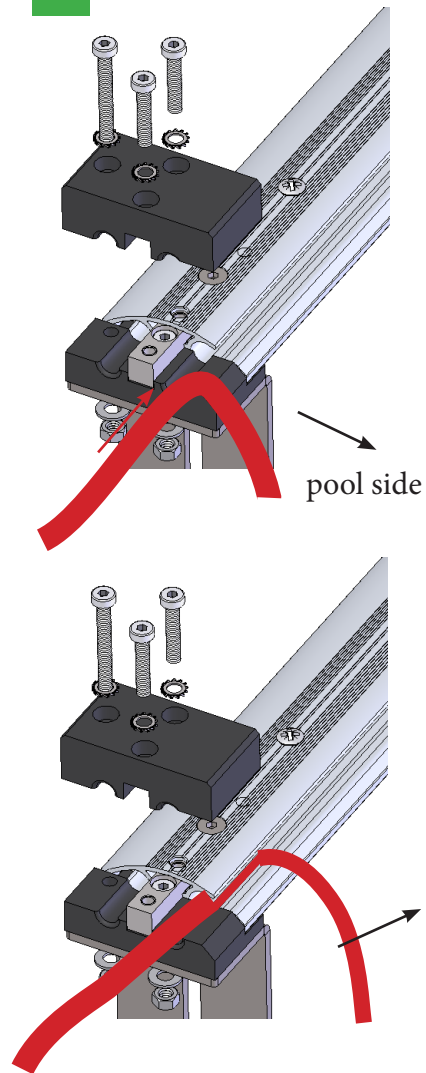
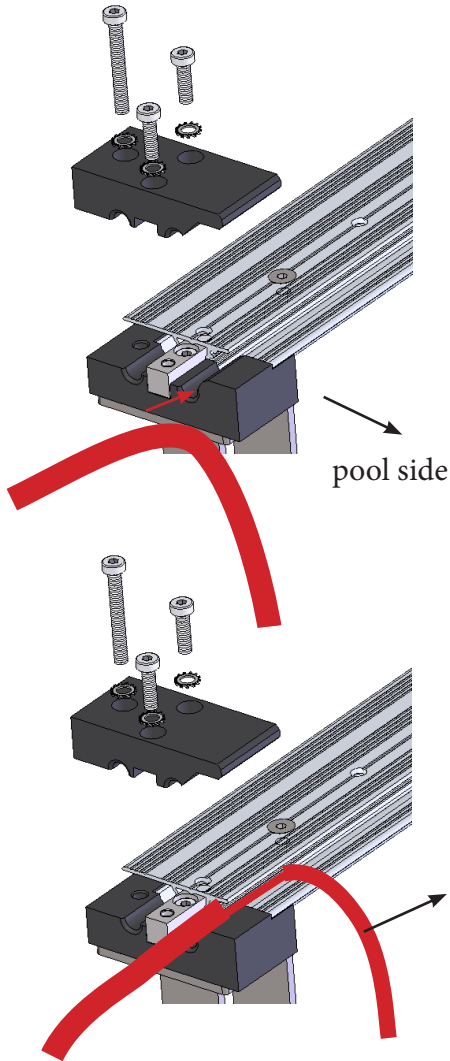


Carry out the following operations on both sides

Open the clamps and engage the Cable in the groove on the pool side and thread the cable along the entire length of the rails

 embedded version

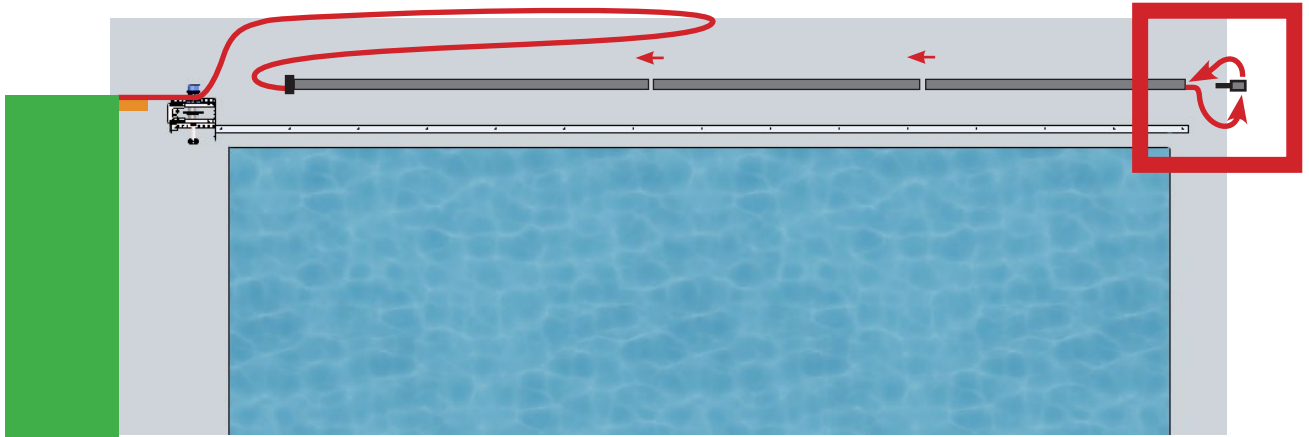
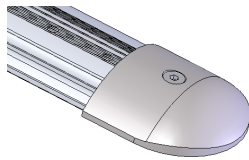
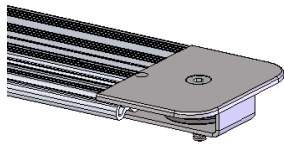
 screwed version



Fit the pulley and finalise the passage of the cables in the rails

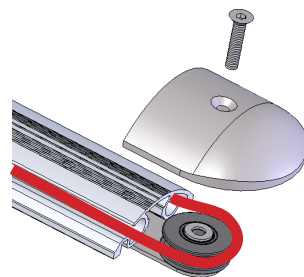
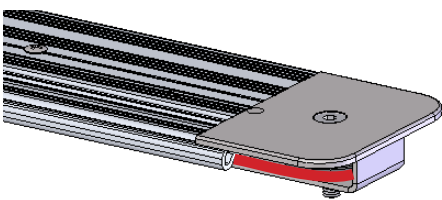
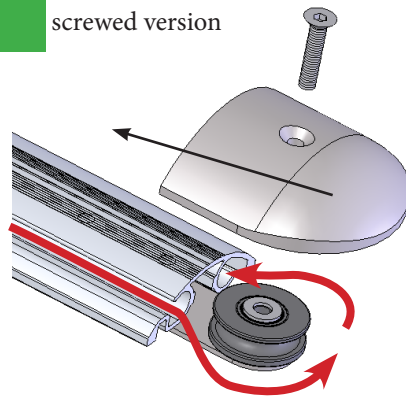
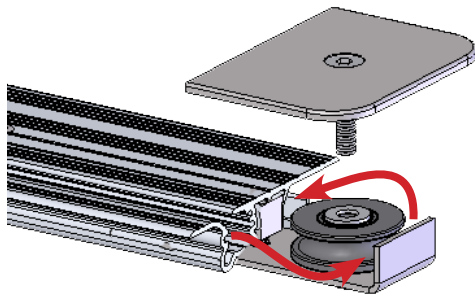
embedded version

screwed version

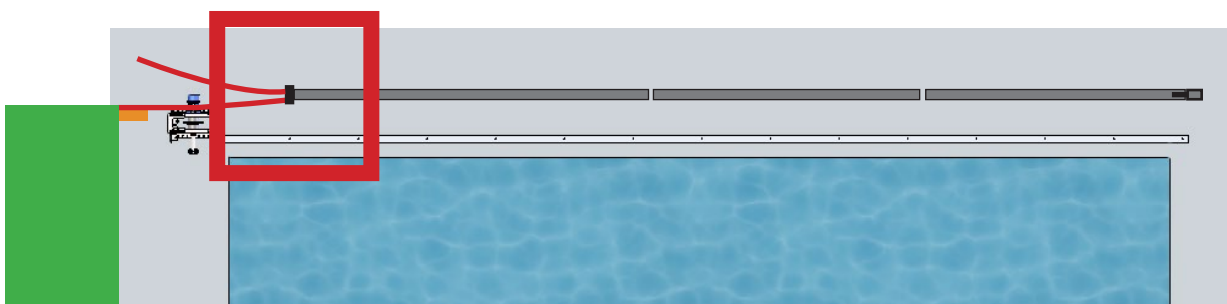


embedded version

screwed version

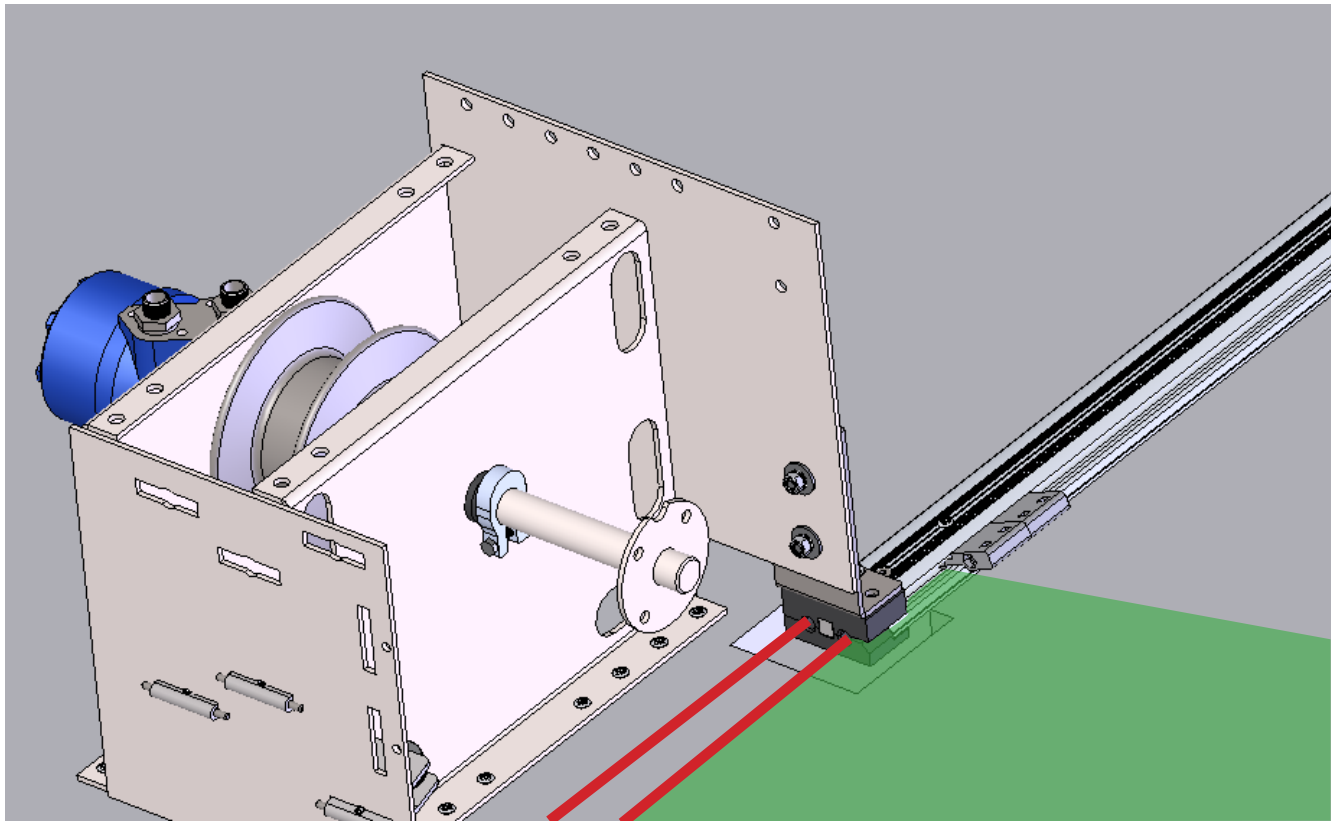


Engage the slider and the beginning of the fabric and close the clamp "see page 17"

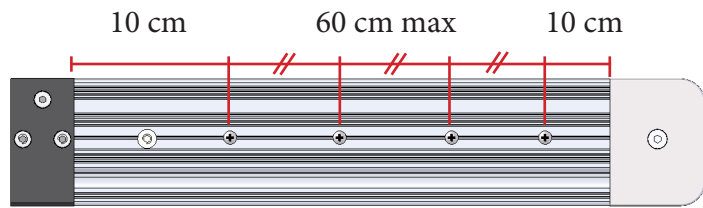
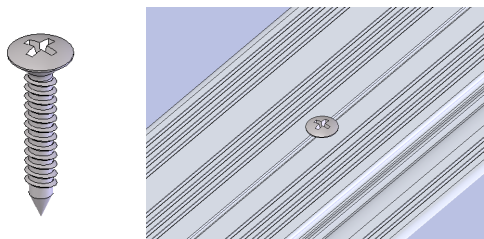


Installing the assembled cable guide rail

 embedded version  screwed version

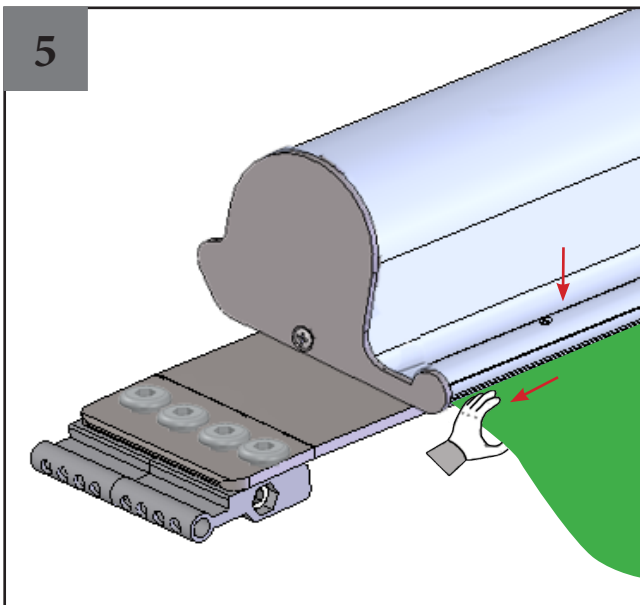
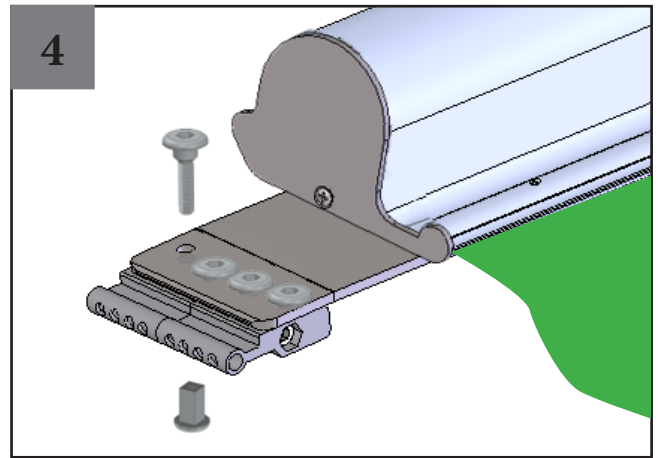
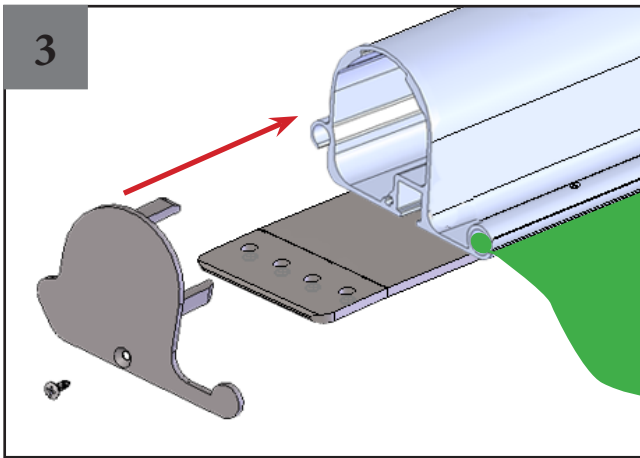
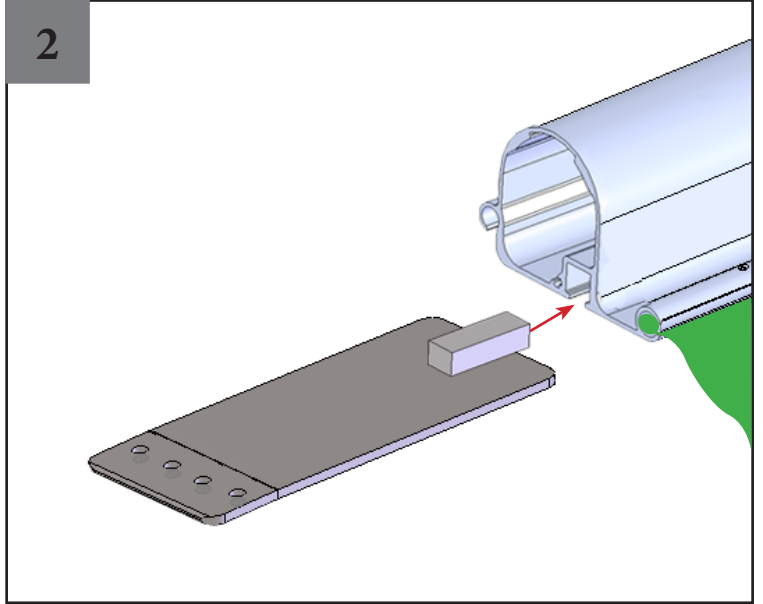
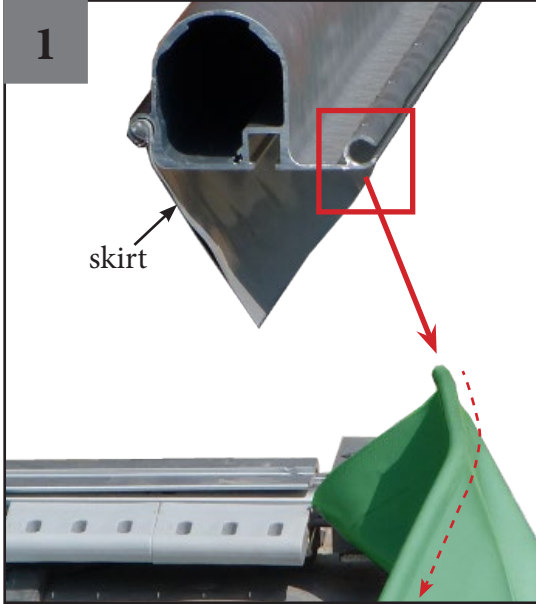
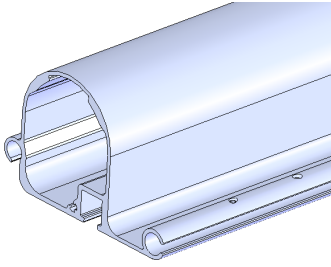


INSTALLATION

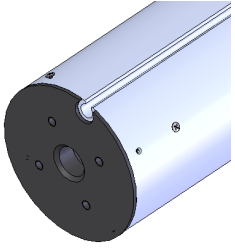


21

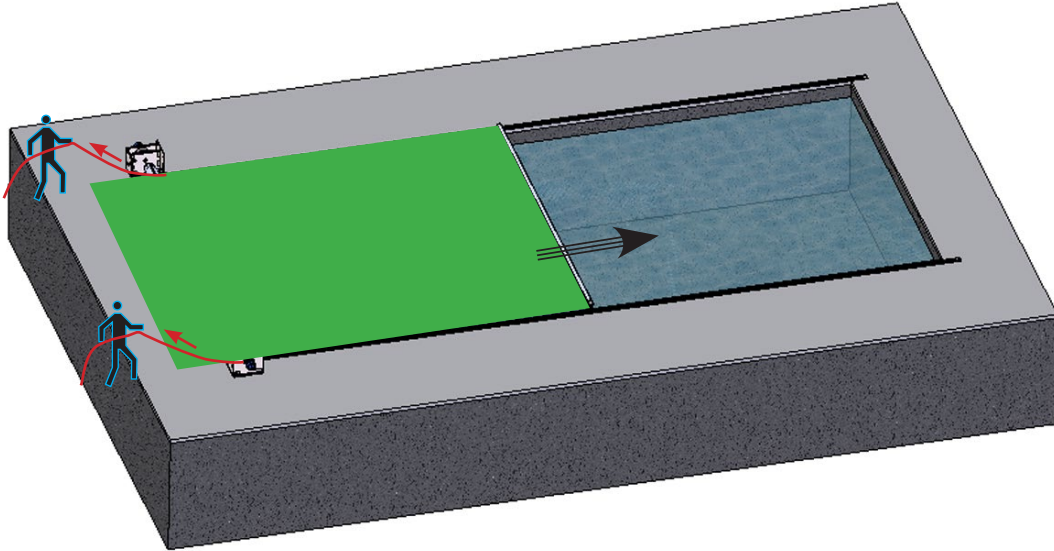
Installing the head bar



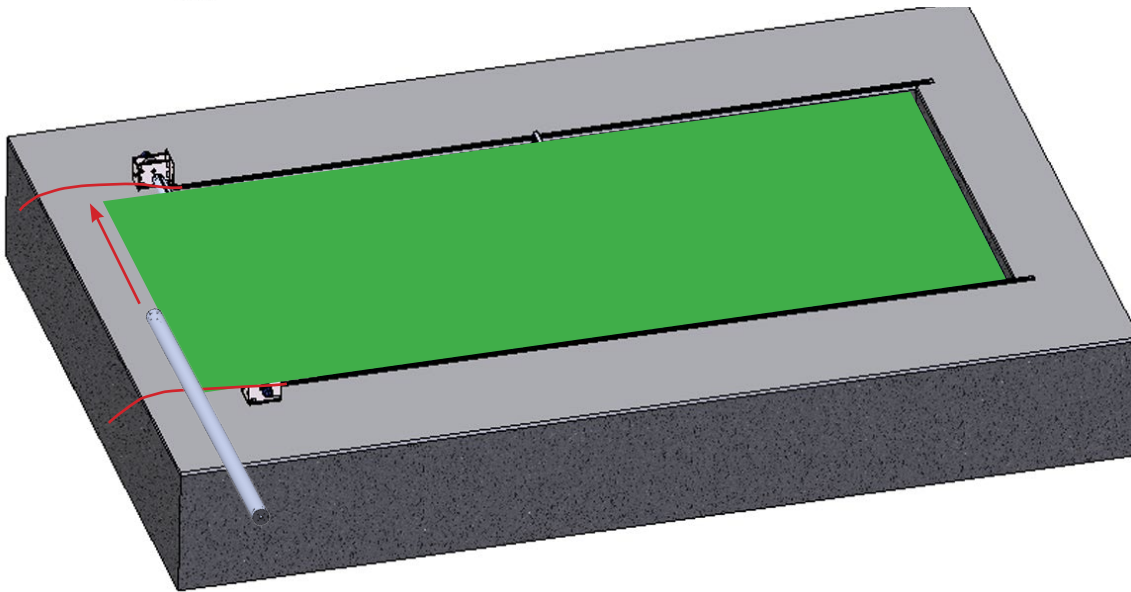
Installing the roller tube



1

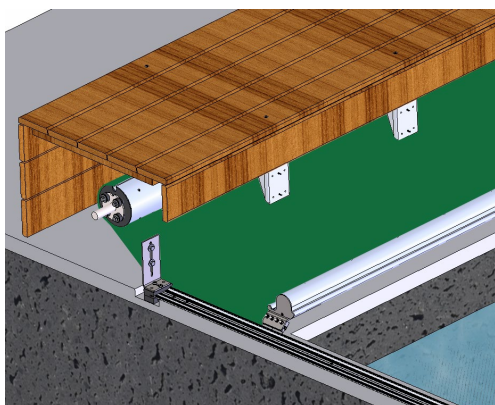


2

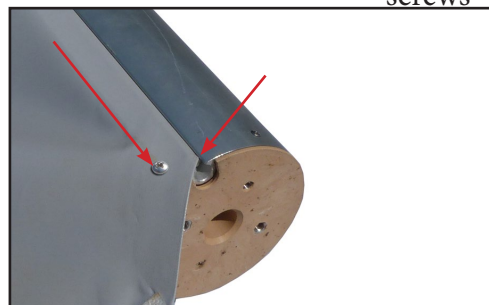


3

Centre the fabric on the roller tube

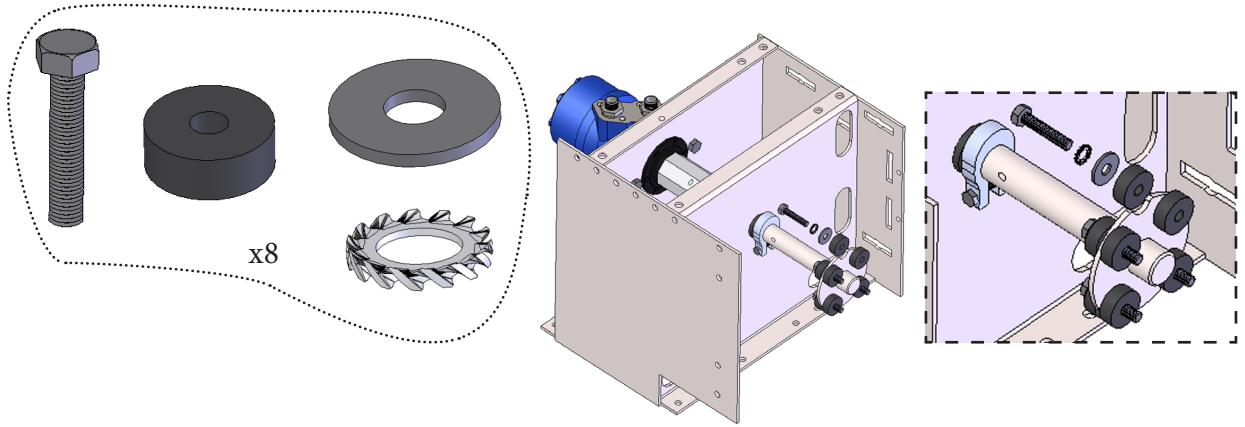


TBF M3x14
screws

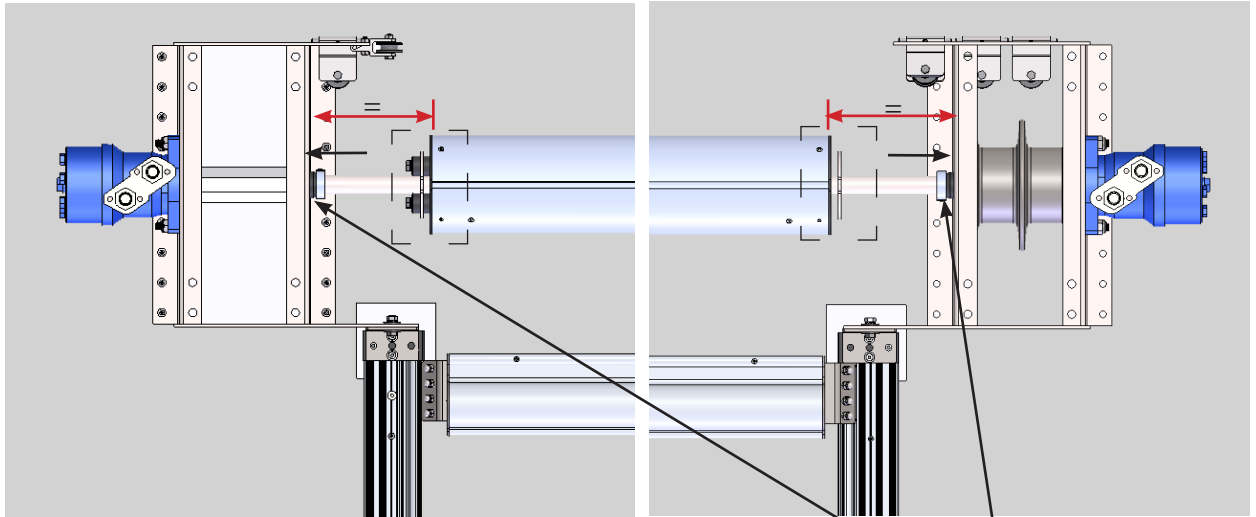


INSTALLATION

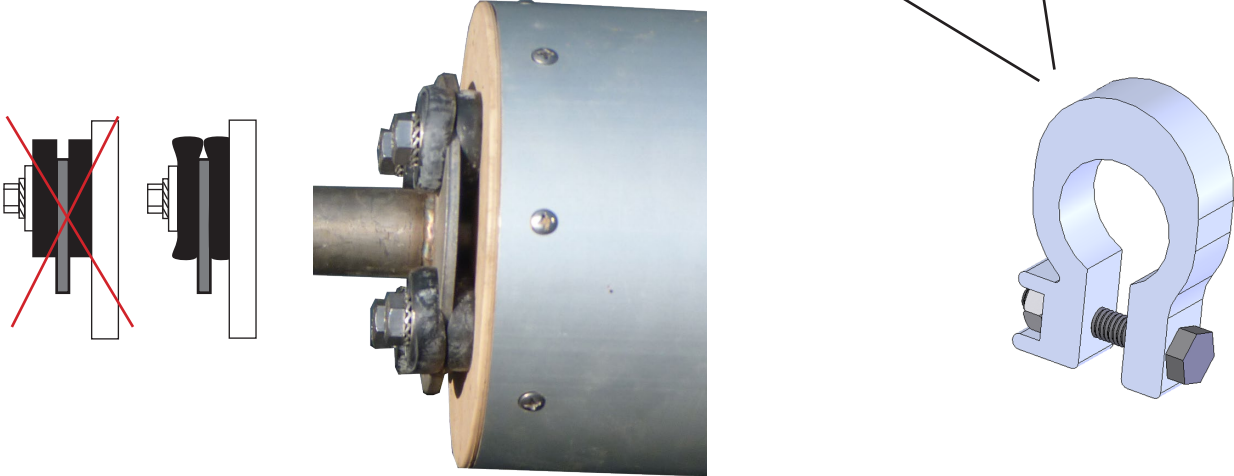
4



5

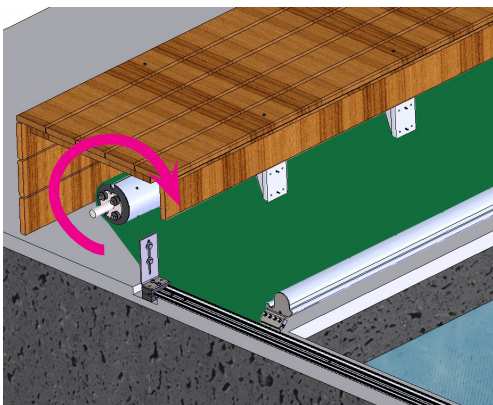


24



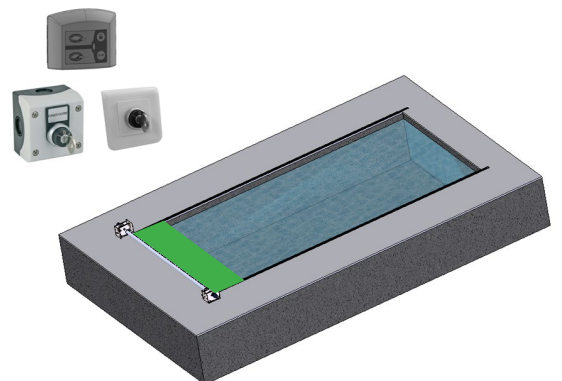
6

Roll the excess fabric manually

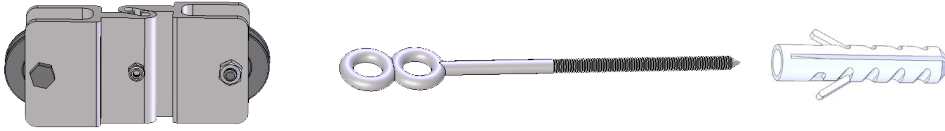


7

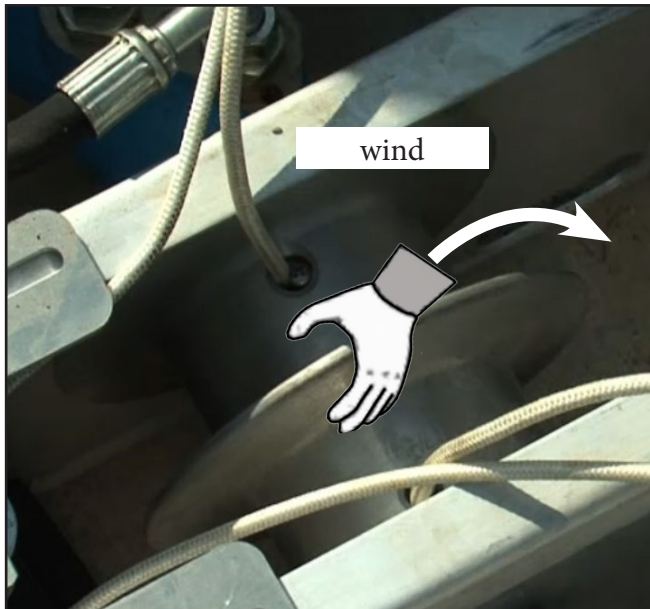
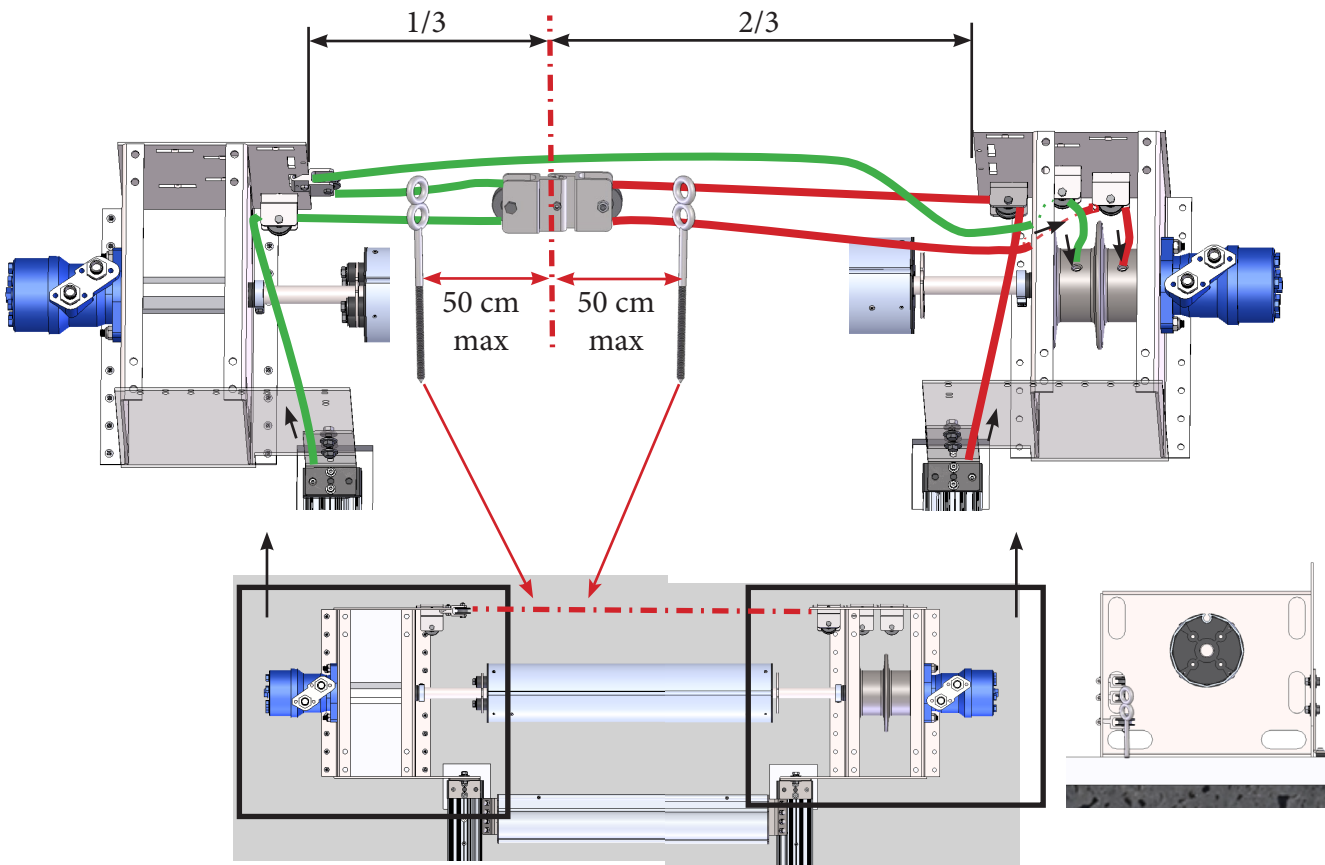
Roll



Fitting the cable guides and cables

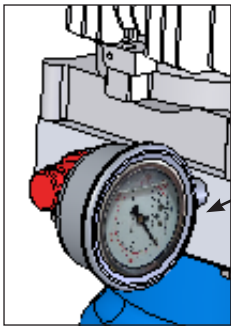


Open the pool "roll" and pass the cables through the pulleys



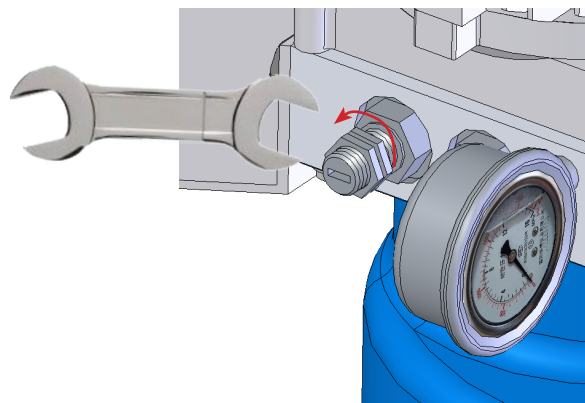
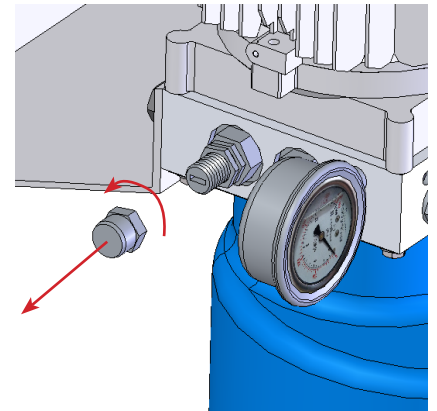
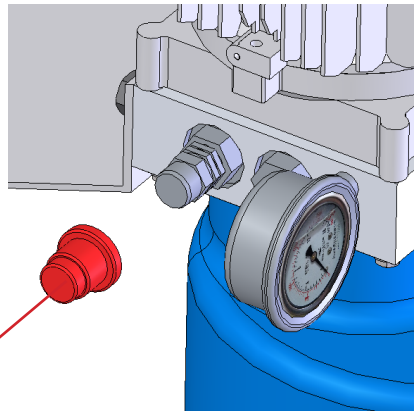
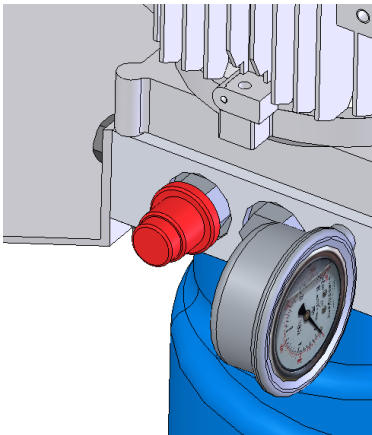
Adjusting the hydraulic system pressure

Open and close and note down the maximum displayed pressure during the operation.



INITIAL MAXIMUM PRESSURE:

example: 5



Calculate the pressure setting:

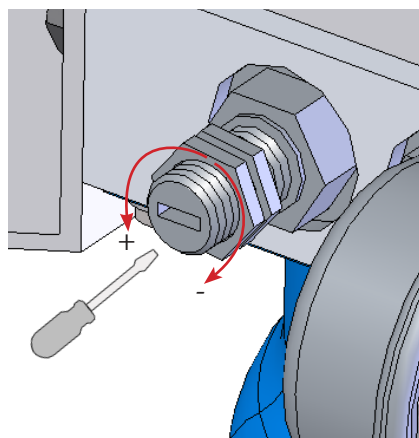
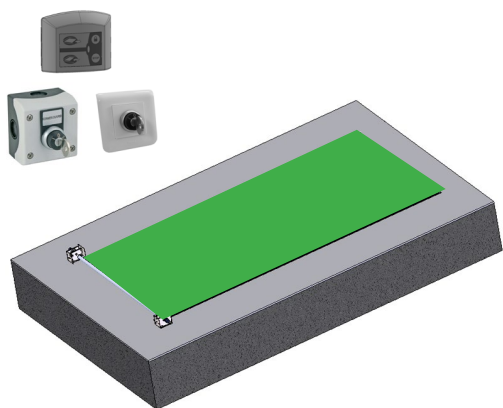
Initial pressure x 1.5 =

example:

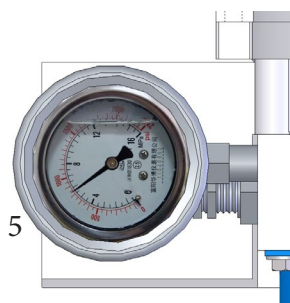
initial pressure: 5

pressure setting: $5 \times 1.5 = 7.5$

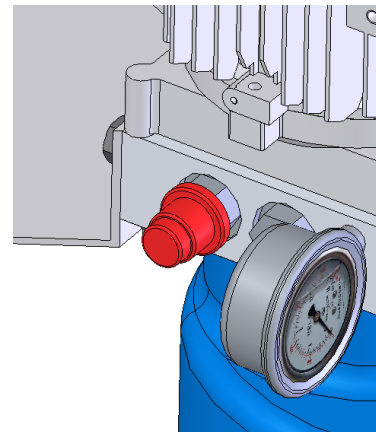
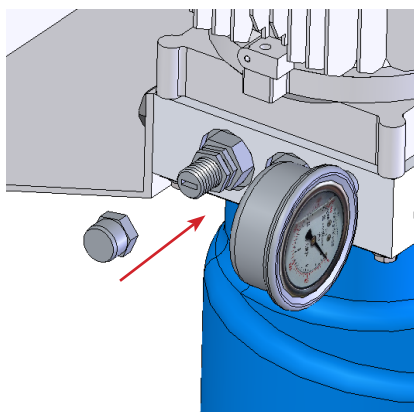
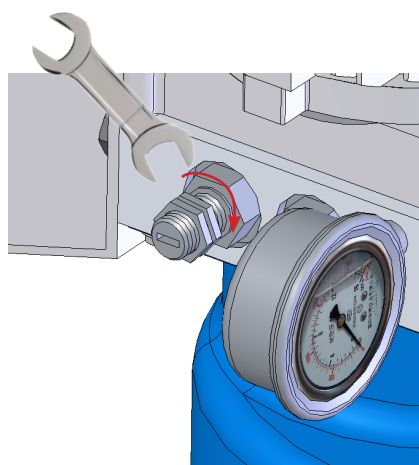
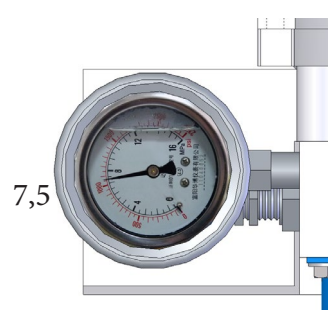
Keep the mechanism pressurised in the closed pool position and set the pressure



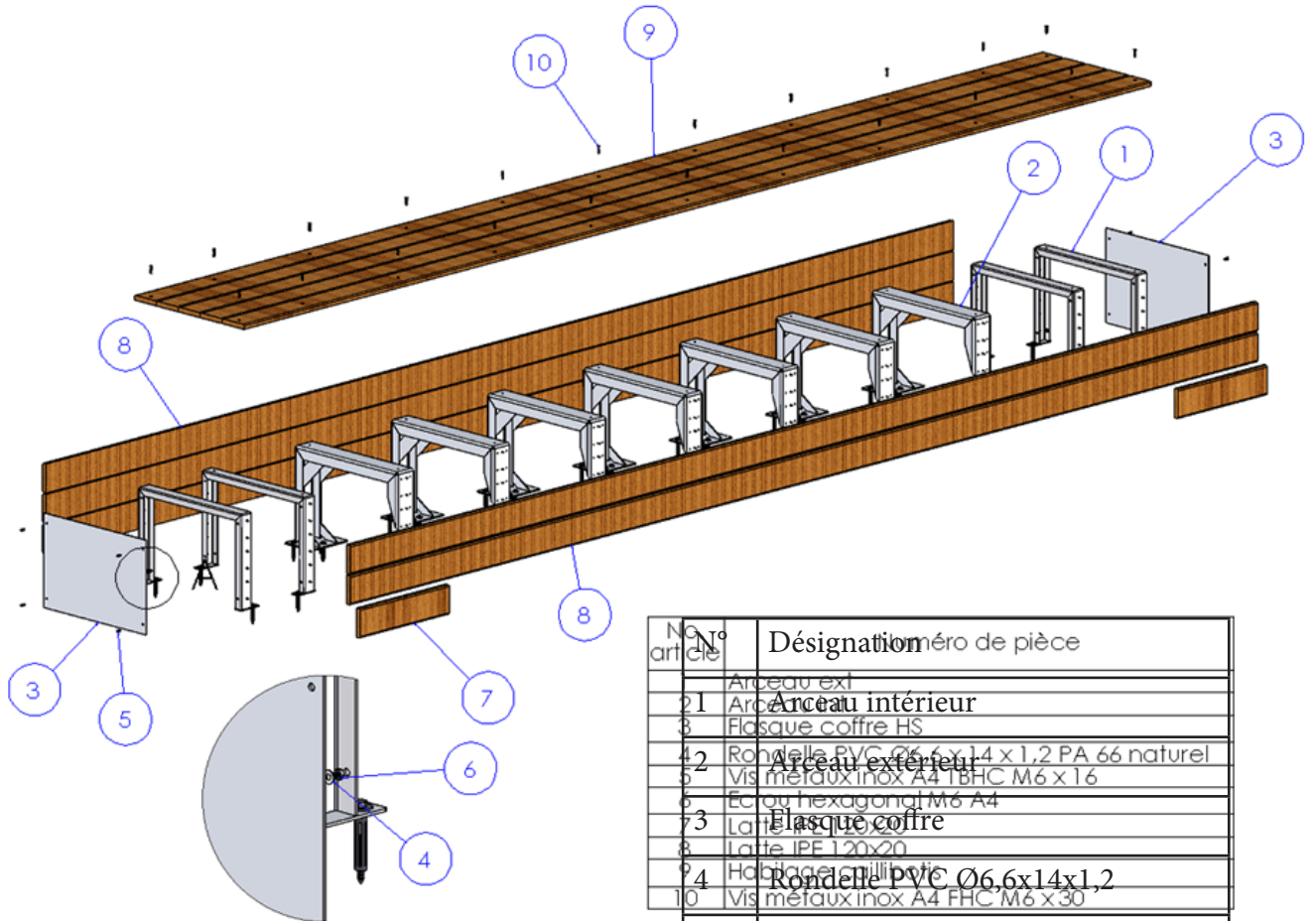
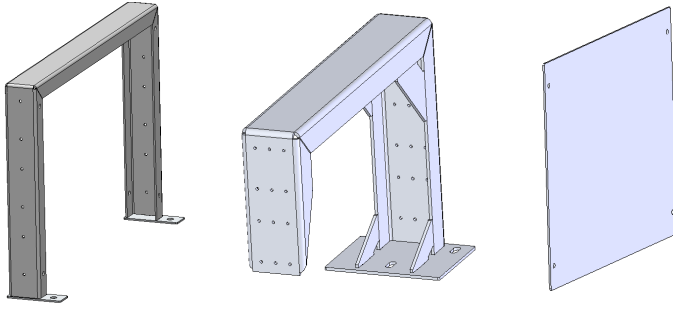
initial pressure



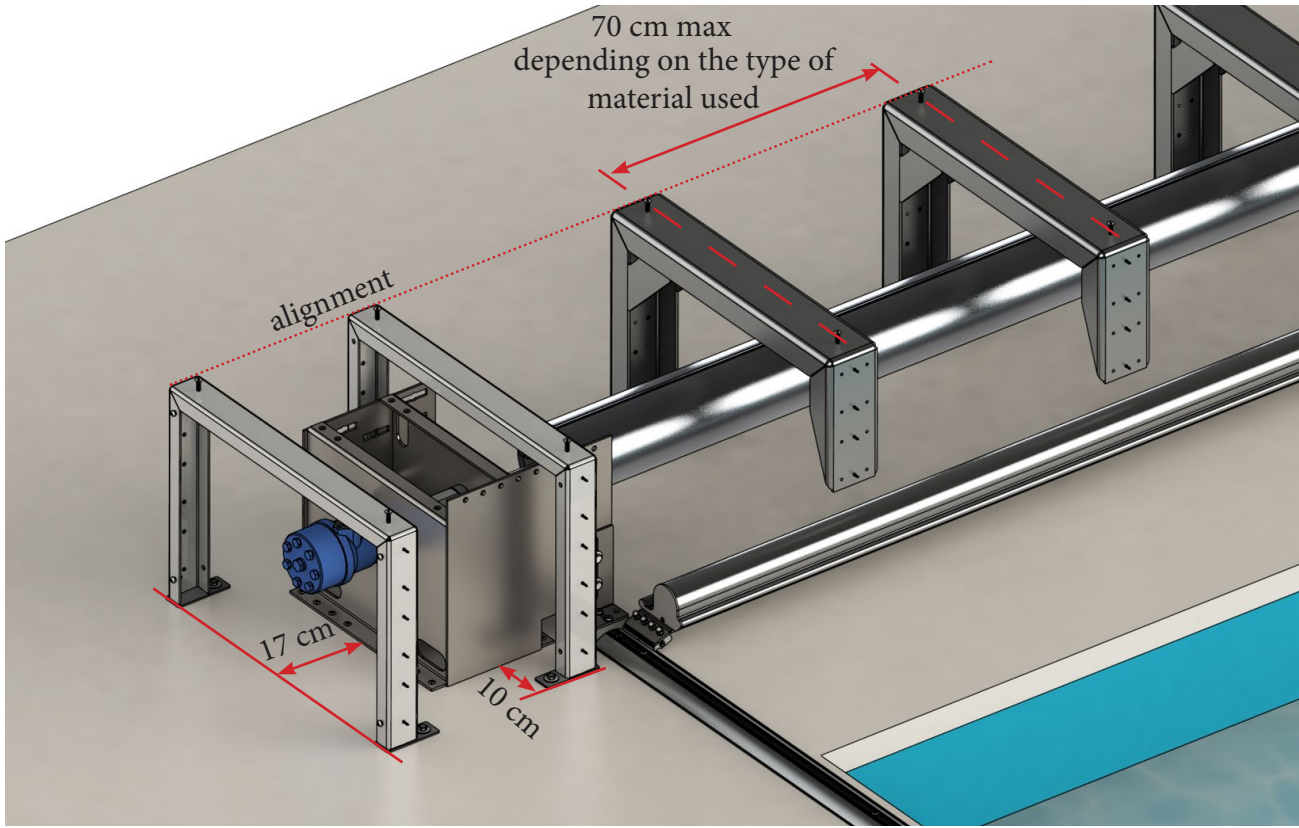
pressure setting



Installation of the frame



N ^o article	Désignation	N ^o méro de pièce
	Arceau ext	
21	Arceau intérieur	
3	Flasque coffre HS	
42	Arceau extérieur	
5	Rondelle PVC Ø6,6x14x1,2 PA 66 naturel	
5	Vis métaux inox A4 TBHC M6 x 16	
6	Ecrou hexagonal M6 A4	
73	Lasque coffre	
8	Latte IPE 120x20	
94	Rondelle PVC Ø6,6x14x1,2	
10	Vis métaux inox A4 FHC M6 x 30	
5	Vis métaux inox A4 TBHC M6x16	
6	Ecrou hexagonal M6	
7	Latte IPE	
8	Latte IPE	
9	Couverture coffre IPE	
10	Vis métaux inox A4 FHC M6x30	



Box trim:

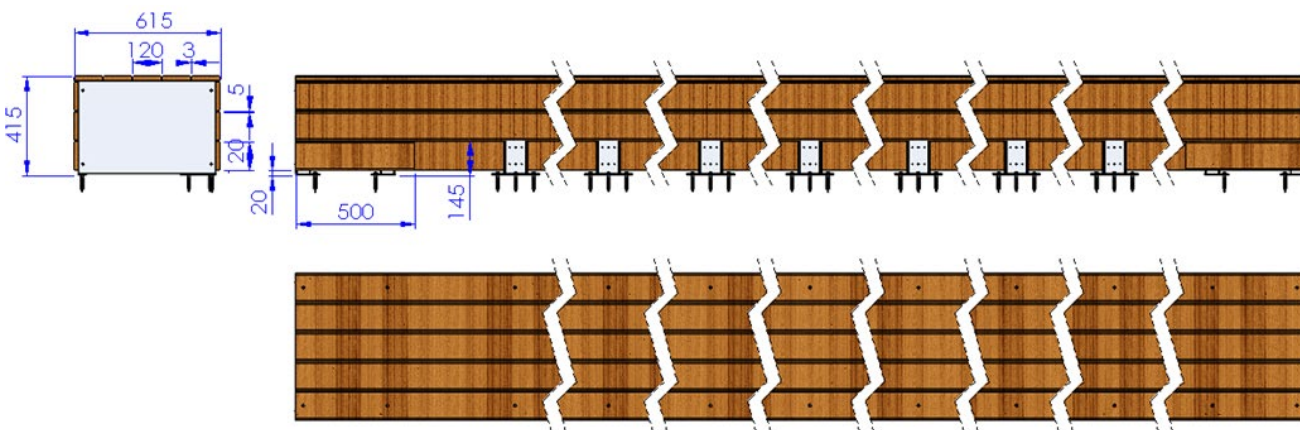
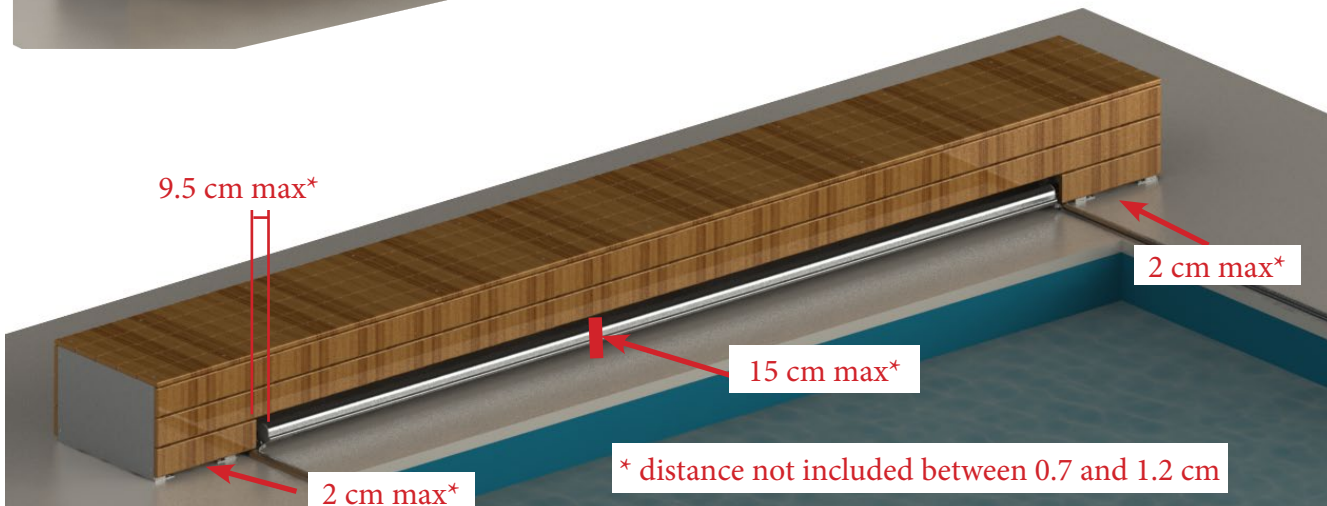
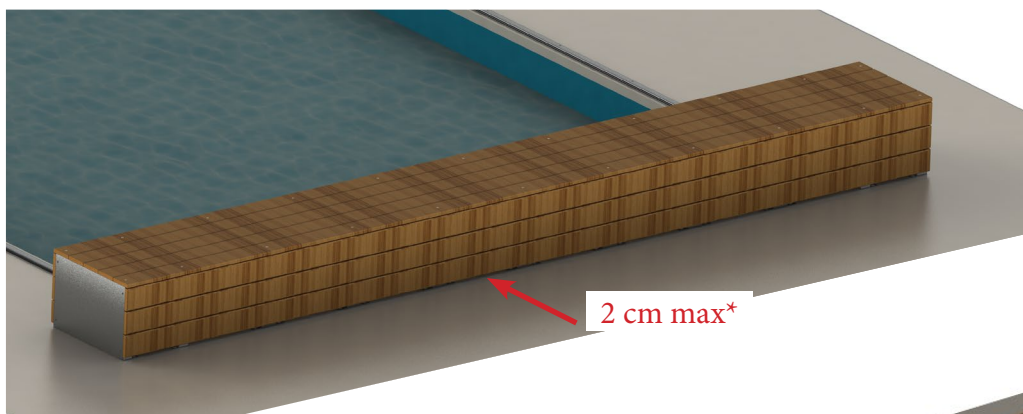
If you decide to use trim that is not sold by DEL, you are liable for its compliance.

For the trim to comply with the NF P 90-308 standard, DEL recommends that:

- The wood used corresponds to class 4 for biological attack (e.g.: Ipe, Doussie, Ipe, Doussie, Merbau, Moabi, Padauk or Robinia for untreated woods and Scotch pine or Maritime pine for treated woods). The materials used must have a minimum service life of three years.
- The trim elements must be fixed to the supplied structural elements:
Screw from the top onto the brackets which are to be counter-drilled and threaded, within the 10 first centimetres from the back of the brackets, at least one screw per bracket.
- The maximum space between slats must be less than 0.7 cm in order to prevent children's fingers from getting stuck between them.
- There should be no gaps between 0.7 and 1.2 cm and no gaps greater than 8 cm.
- To prevent corrosion risks, all fastenings should be A4 stainless steel.

Warning:

The use of trim that does not comply with our recommendations makes the installation non compliant.



Always keep an eye on the pool when opening or closing the cover.

- Outside cleaning and maintenance periods, during which permanent surveillance is imperative, the following recommendations apply:
 - Do not deliberately climb, walk or jump on the safety cover.
 - It is imperative not to halt the cover in an intermediate position, this can cause the risk of jamming a bather's body under the cover if there is a bather in the pool.
 - It is imperative to completely open or close the cover, never leaving it in an intermediate position.
 - Always check that the pool water level is constant and compliant with the recommendations in the instructions.

Opening / closing

- The person carrying out the operation must make sure there are no bathers in the pool and always have a view of the pool when opening or closing it
- "Permanent contact" opening and closure operations.

It must be located in a place from which it is possible to check that no one enters the pool during the manoeuvre.

- The cover can be opened and closed by a single person. (1 minute)
- It is essential to remove large floating objects from the water when opening and closing the cover.
- During opening and closure operations, when the cover reaches the stopper; release the control as quickly as possible to avoid premature wear.
- When the cover reaches its closed position stopper it is locked.

This is essential to secure the pool, please be careful of this.

- The pool water level must remain stable (+/- 5 cm) compared to the value indicated on the purchase order.
- The rainwater drainage pump:
 - It can be used in water at up to 35°C max.
 - It must be installed on the fabric, somewhere near its centre for the best effectiveness.

It must be installed as soon as there is a risk of rain.

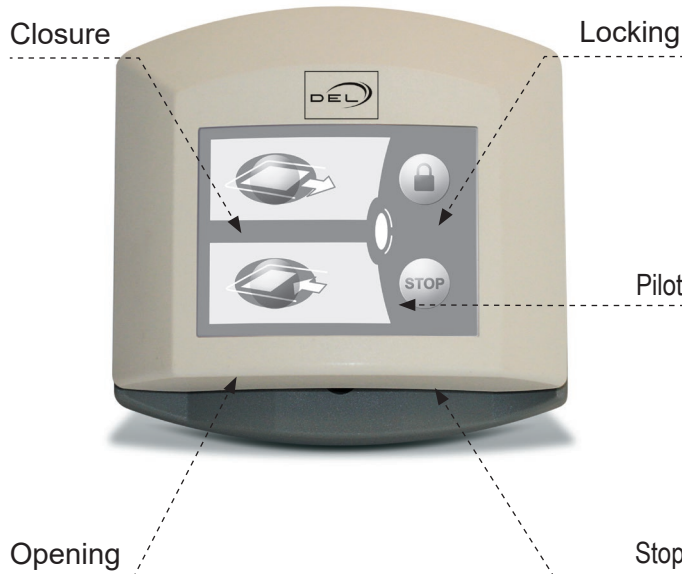
- Not installing the pump has an impact on:
 - . Protection from drowning of young children: the watertightness of the cover can lead to the accumulation of a sufficient quantity of water on it to cause a fatal accident.
 - . The service life of the system: the watertightness of the cover can lead to the accumulation of a sufficient weight of water to cause the premature wear of the system.

When not to operate the cover:




- if there is water present on the surface of the fabric.

(Below a quantity of about 100 litres, the operation remains possible if special care is taken to watch over its correct progress)







- If any of the following are frozen:
 - The pool water.
 - The fabric surface.
 - The vicinity of the pool.
 - The rails.



LOCKING THE WI-KEY




- Press on  for more than 3 seconds until the pilot flashes 

 = system locked

UNLOCKING THE WI-KEY

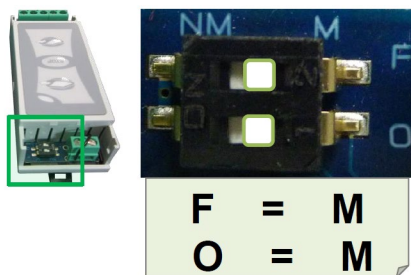
- Press  and keep it pressed.
- At the same time: successively press the following 3 keys: :   
- The pilot  remains on  = emitter unlocked

LIGHT INDICATORS

When you press a key, the light indicators below provide information on the Wi-key status (locked/unlocked), as well as the battery charge level.

	Green LED	----->	Wi-key unlocked
	Red/green flashing LED	----->	Wi-key locked
	Orange LED	----->	Battery level low
	Red LED	----->	Change the batteries (2 x LR03)

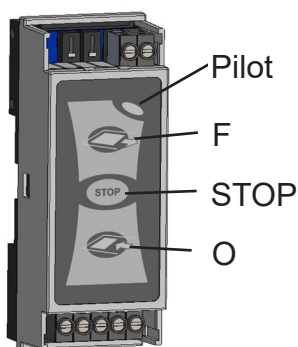
Pairing - "delivered pre-paired"



WI-KEY

Pairing -- delivered pre-paired

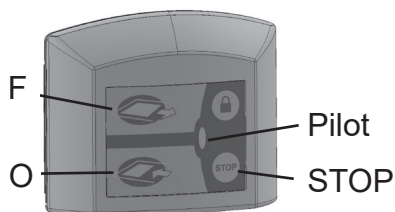
1 receiver



Press «STOP» and, without releasing it, press «O» for more than 3 seconds
OK when the «pilot» flashes green.

an emitter must be paired within the next 30 seconds.

2 emitter



Press «STOP» and, without releasing it, press «O» for more than 3 seconds
OK when the «pilot» flashes red / green.

another emitter must be paired within the next 30 seconds.

USE

33

Replacing the batteries



Be careful of the seal when re-assembling

	Receiver	Emitter	
Manufacturer	DEL	DEL	
Reference	Wikey receiver	Wikey emitter	
Category	3 (EN 300220-1)	3 (EN 300220-1)	
Range	50m in an obstacle-free zone	50m in a free zone	
	25m through a concrete wall	25m through a concrete wall	
Power supply	12 to 48 VDC 30mA max	Two 1.5V AAA batteries	
Protection index	< IP40	< IP54	

The drainage pump:



- For electrical safety reasons it is mandatory that the pump transformer be located more than 2 m from the pool and that the mains outlet be located at more than 3.5 m (French Electricity Standard C15-100).

If necessary, the mains powered part can be extended. To do this, use a watertight extension protection box (not included, can be found in all DIY stores).

- The drainage pump should be installed at the centre of the pool on the fabric whenever the cover is closed in order to drain off rainwater continuously when required.

Its presence is mandatory in order to comply with the NF P 90-308 standard requirements.

- Fit a Ø15mm, frost-proof garden type hose (supplied by the customer) to drain the water + tie.

- The pump ballast is to be filled (water-sand-other) and fitted to the pump.

- The pump starts up automatically if there is any water (requires 2-3cm of water under the pump)

For more information, please read the pump manual.

What to do if:

It snows

Clear the snow and check that there is no frost before operating the mechanism.

The cover can withstand the presence of snow in generally acceptable conditions for France (zone 4 at 1000m altitude: 110kg/m² ground cover).

Take special care over the condition of the rail fixtures to the ground.

It rains:

- The drainage pump must be installed at the centre of the fabric for optimum effectiveness.
- It must be installed whenever there is a risk of rain.
- The water on the surface of the fabric must be drained off before operating the cover.
(Below a quantity of about 100 litres, the operation remains possible if special care is taken to watch over its correct progress)

It freezes

- Do not operate the mechanism until the following elements have thawed: Pool water, fabric, Pool surroundings and rails.
- The drainage pump is frost-proof.
- Check that the drainage pipe is suitable for freezing conditions.

Change in cover behaviour during operation

(speed, regularity, noises, etc.):

- Do not try and force, to avoid damaging the installation.
- Carry out the care and maintenance operations.

Mains power failure or motor equipment failure.

- Contact the customer service.

Wintering advice

- The pool water level must remain stable (+/- 5 cm) compared to the value indicated on the purchase order.
- Use active wintering without varying the water level by more than 5 cm.
- If there is an excessive amount of snow on the cover it should be removed.

- The drainage pump: (see manual supplied with the product)
 - . Remove the filter at the base of the pump and rinse it in clean water.
 - . Rinse the stainless steel blades at the base of the pump in clean water.
 - . Check that it is in good overall condition.
 - . Position the pump on the cover.
- Cleaning the fabric:
 - . Regular cleaning is the best way to guarantee a long service life.
 - . - Especially make sure not to let leaves and other organic matter accumulate and rot.
 - . Clean using a hose and brush if needed.
 - . Check that the drainage grate is not blocked.
- Trim care:
 - . Maintenance and treatment of the wood is recommended, (cleaning, stain remover, saturator,...) making sure that the treatment does not impact the rest of the installation (treatment leaching for example).

Maintenance:

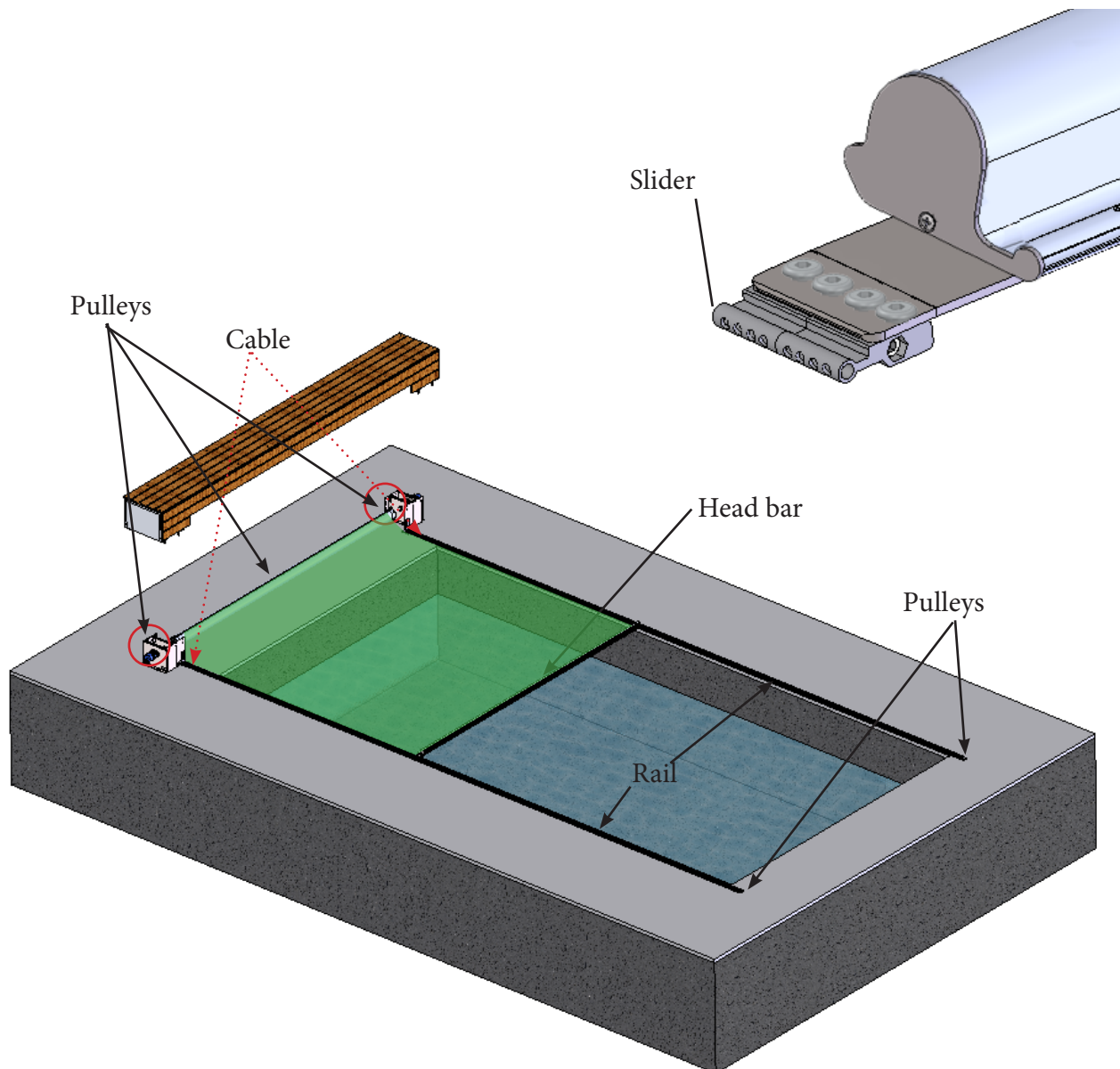
- Wear part replacement
 - . Cables: every 5 years.
 - . Pulleys: every 5 years.
 - . Rubber washers on the tube: every 5 years.
 - . Cable guides at the entrance to the rails: every 5 years.
 - . Oil: every 10 years.

It is imperative that all parts be replaced by new parts from DEL.

- Operations following a specific event:

- If the cover has been strained (storm, hail, significant snow fall, fall of a person, inappropriate use, etc.) carry out the following checks:

- . General: no significant changes in operation.
- . Fabric: no damage such as tears and holes.
- . Rails and head bar: no abnormal movement or gaps.



Care (customer responsibility)

Monthly care operations:

- **Rail cleaning:**

- Check that there are no debris, leaves, sand or other elements that could hinder the correct operation of the system.

(If necessary, clean with a hose, brush or pressure cleaner)

- **Cleaning the fabric:**

- Regular cleaning is the best guarantee of a long service life and to keep a clean appearance.

- Especially make sure not to let leaves and other organic matter accumulate and rot. If there is rubbish (leaves and other), drain most of the water present on the cover, roll it until there is a pocket at the drainage grate, let the water drain through the grate and then collect the rubbish by hand or using a suitable vacuum cleaner.

- Clean using a hose and brush when necessary.

- Check that the drainage grates are not obstructed.

- Do not use abrasive products or solvents to clean the cover.

- **The drainage pump:**

- Remove the filter at the base of the pump and rinse it in clean water.

- Clean the central fan.

- Rinse the stainless steel blades at the base of the pump in clean water.

- For more information, please read the pump manual.

Twice-yearly operations (start and end of wintering):

- General:

- . Check the state of wear of each element.
- . Check that the different elements are correctly tightened.
- . Check general system functions by carrying out an open-close cycle.

- Rails:

- . During operation, spray silicone lubricant onto the cables at the entry to the rail, or spray silicone lubricant in the accessible rail groove while the cover is stationary and then carry out an open-close cycle.
- . Check that there are no protrusions in the groove junctions.
If necessary file the protrusion down to avoid hindering the slider movement.

- Mechanisms and pulleys:

- . When the cover is operating, check that the pulleys are in working order. (visual and sound inspection).
- . Check that the different assembly elements are correctly tightened.
- . Check the condition of the rubber washers on the roller tube.
- . Check that the head bar remains movable on its plates.



Hydraulic circuit:

- . Check the oil level in the system tank.
- . During operation, check the pressure reading on the hydraulic system pressure gauge. The maximum pressure should not exceed the pressure noted on the installation date by more than 20-25 bars.
- . Check that there are no oil stains around the fittings.
- . If necessary, lubricate and tighten the fittings by a quarter turn to avoid damaging the fitted gasket.

Dear customers,
Thank you for your trust in choosing to buy a DEL automatic safety cover.
Please read the recommendations below carefully.

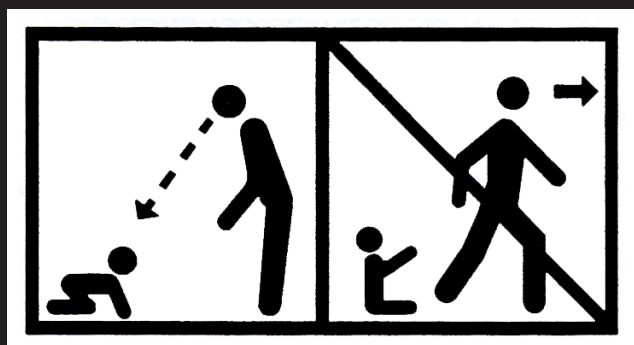
SAFETY NOTICE

- A pool can be a serious danger to your children. A drowning can happen quickly. Children around a pool require your constant vigilance and active watchfulness, even if they can swim. The physical presence of a responsible adult is essential when the pool is open. Learn life saving techniques.

MEMORISE AND DISPLAY EMERGENCY SERVICE PHONE NUMBERS NEAR THE POOL.

- Fire brigade: 18 (in France) or 112 from a mobile phone
- Ambulance : 15 (in France)
- Poison centre:

- This cover is not a substitute for common sense or individual liability. The purpose of this cover is not to replace the vigilance of parents and/or responsible adults which remains the essential factor for the safety of young children.
- Be aware that safety is only achieved with a closed, locked and correctly installed cover in compliance with manufacturer instructions.
- Respect the water levels defined by the manufacturer.
- The cover must be systematically unrolled and locked even in the event of temporary absence from the home.
- Make sure there are no bathers or foreign bodies in the pool before and during closure.
- Place the necessary tools to open the cover out of reach children (the key for example)
- The operation of the mechanism should only be undertaken by a responsible adult.
- It is forbidden to climb, walk or jump on a safety cover.
- If a malfunction preventing the closure and securing of the pool is discovered, or if the pool equipment is temporarily unavailable, take all measures required to prevent young children from gaining access to the pool until the cover has been repaired.
- A child can drown in under 3 minutes, no type of protective measure can replace the monitoring and vigilance of a responsible adult.



POOL INSTALLER

ZA La basse croix rouge 35530 Brécé - tel: 02 99 00 17 72 - fax: 02 99 00 21 79 - E-mail: del@delbrece.fr